

## Installation Instruction Sheet

### Linear Fixtures

#### INSTALLATION INSTRUCTIONS FOR JOINING AND SUSPENDING FIXTURES

##### WARNING

To reduce the risk of death, injury or property damage from fire, electric shock, cuts, abrasions, falling parts and other hazards:

- Service of the equipment must be performed by qualified service personnel.
- Installation and maintenance must be performed by a person familiar with the construction and operation of this product and any hazards involved. All applicable codes and ordinances must be followed.
- Read this document before installing, servicing or maintaining this equipment. These instructions do not cover all installation, service and maintenance situations. If your situation is not covered, or, if you do not understand these instructions or additional information is required, contact Lux Illuminaire or your local agent.
- Read and follow all warnings and instructions provided by the LED manufacturer.

##### WARNING

- Before installing, servicing or maintaining this equipment, follow these general precautions. To reduce the risk of electrocution:
- Make sure the equipment is properly grounded.
- Always de-energize the circuit and/or equipment before connecting to, disconnecting from or servicing the equipment.

To prevent luminaire row from over-current:

- By adding the input current of each luminaire section marked on the luminaire, the total current per power feed must not exceed the maximum line wire amperage marked on the luminaire and the power feed cord/wire amperage rating whichever is the least.

To reduce the risk of fire:

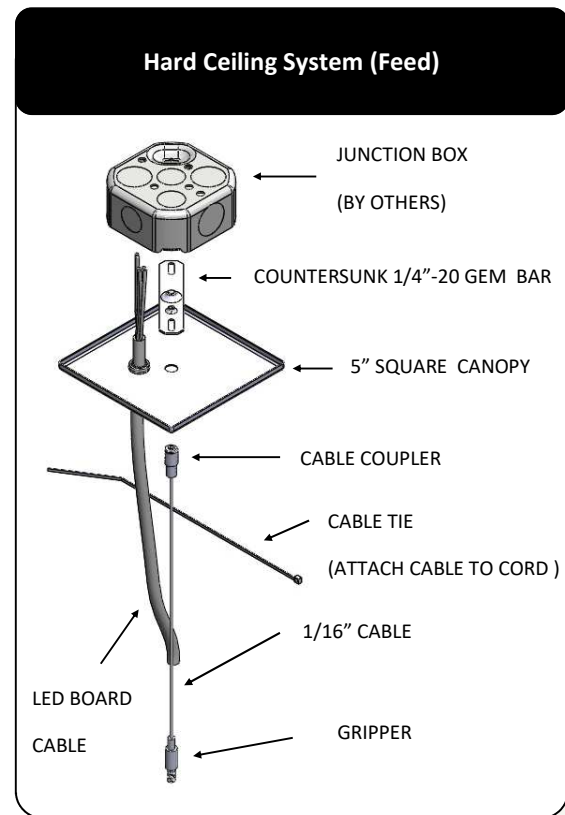
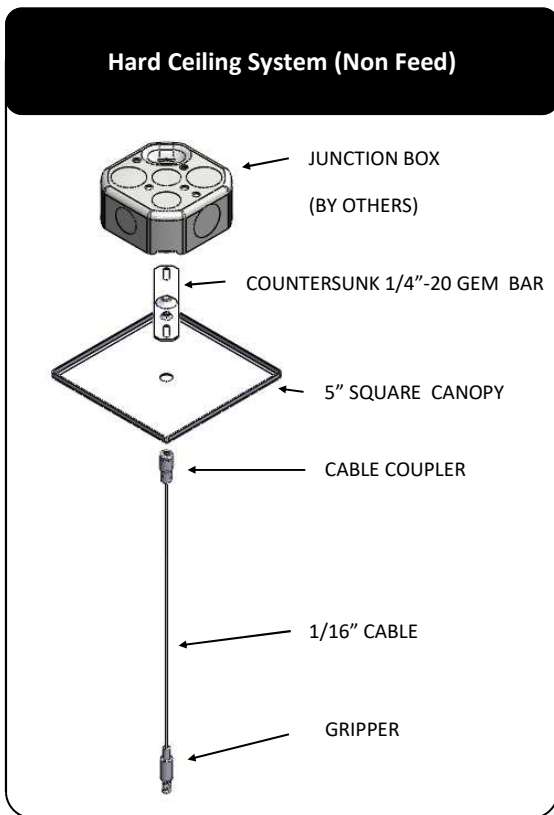
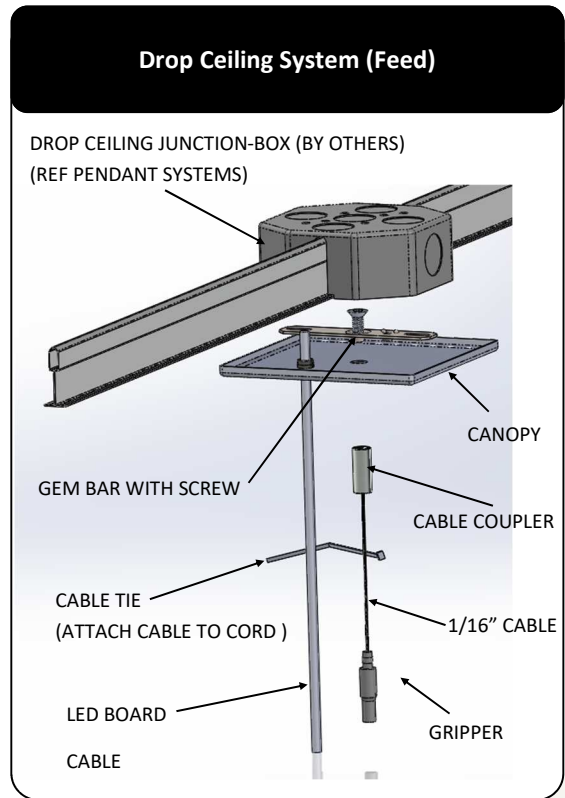
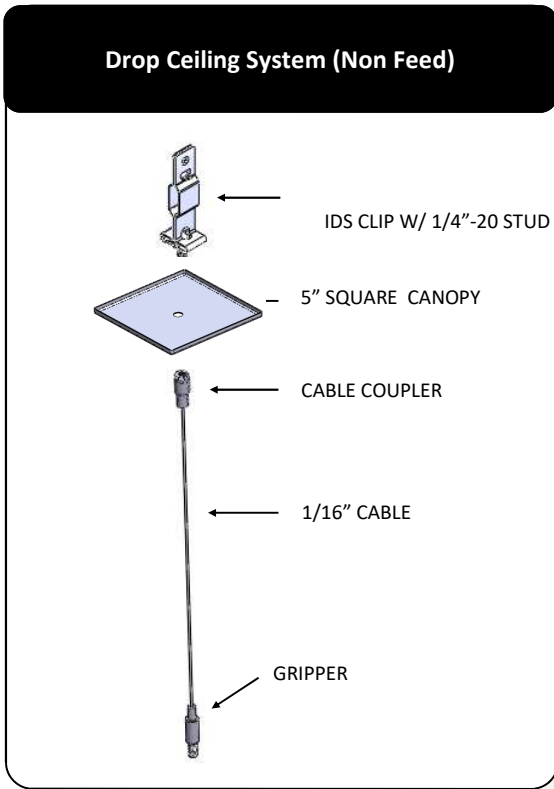
- Keep material away that can burn from hot LEDs.
- Make sure LED boards are correctly installed.
- Use supply conductors with a minimum installation temperature rating as specified on equipment.

To reduce the risk of personal injury from cuts, abrasions or falling parts:

- Wear gloves to prevent cuts or abrasions from sharp edges when removing from carton, handling and maintaining this equipment.
- Do not use abrasive materials, glass cleaners or other solvents on reflector or lens. These substances may damage equipment and cause parts to eventually break and fall.
- Do not install a damaged fixture.

## Typical Mounting Configurations

### Linear Fixtures



## Installation Instruction Sheet

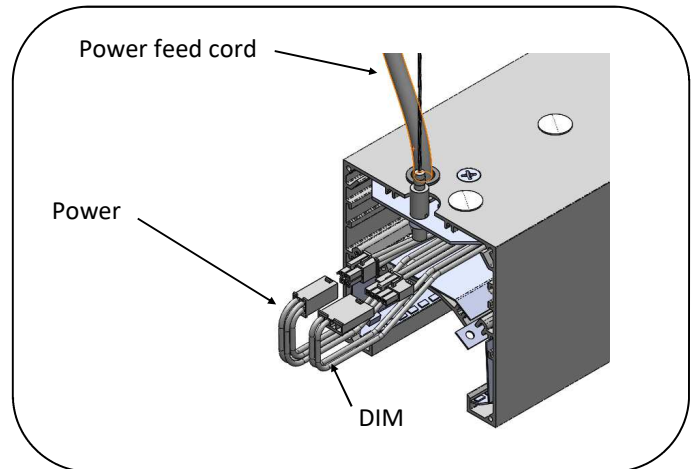
### Linear Fixtures

#### INSTALLATION INSTRUCTIONS FOR POWER FEED CORD

If Power Feed Cord is not factory installed: Insert power cord through feed hole on the first fixture and plug to through harness connectors. Plug (supplied) any unused feed holes.

**NOTE:**

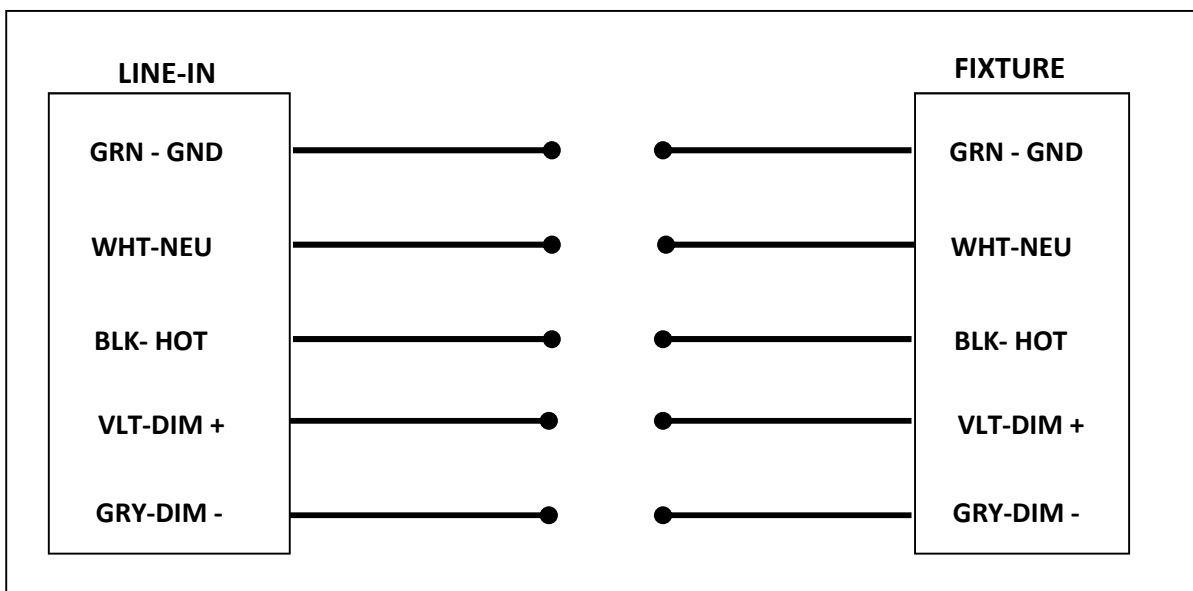
DURING INSTALLATION TIE POWER CORD IN KNOT IN FIXTURE AND ABOVE CANOPY FOR PROPER STRAIN RELIEF.



For special circuitry consult factory	
LINE WIRE COLOR	CIRCUIT DESCRIPTION
BLK	CIRCUIT A—HOT
WHT	CIRCUIT A & B— NEUTRAL
RED	CIRCUIT B— HOT
GRN	GROUNDING
VLT	DIMMING CONTROL 1
GRY	DIMMING CONTROL 2
ORG	EHS or EHF—HOT
WHT/ORG	EHS or EHF— NEUTRAL

POWER FEED CORD COLOR	
14x3 BLK/WHT/GRN	CIRCUIT A & EMERGENCY
14x4 BLK/WHT/GRN/RED	CIRCUIT B, OR CIRCUIT A W/ EHS
18x5 BLK/WHT/GRN/VLT/GRY	CIRCUIT A & EMERGENCY & DIM

### General Wiring Diagram



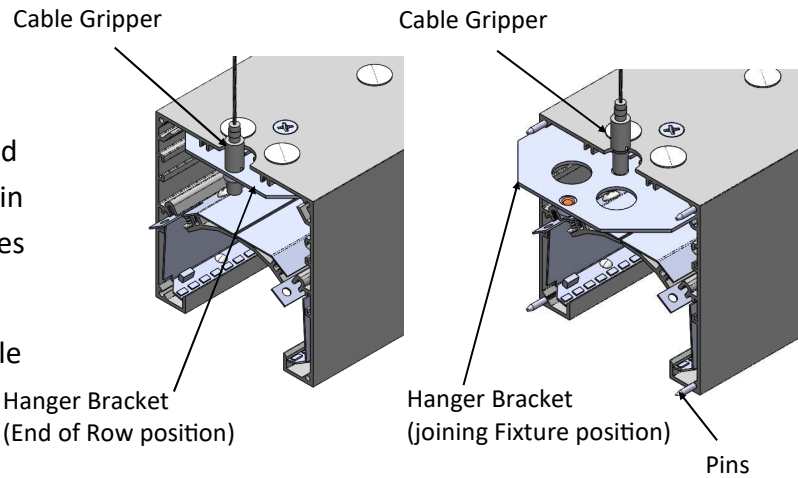
## INSTALLATION INSTRUCTIONS FOR JOINING AND SUSPENDING CABLE MOUNTED FIXTURES

Use hanger bracket located at the end of the fixture to support fixture.

Screw cable gripper into the outside thread position of hanger at the end of a row **OR** in the middle thread position if joining fixtures together.

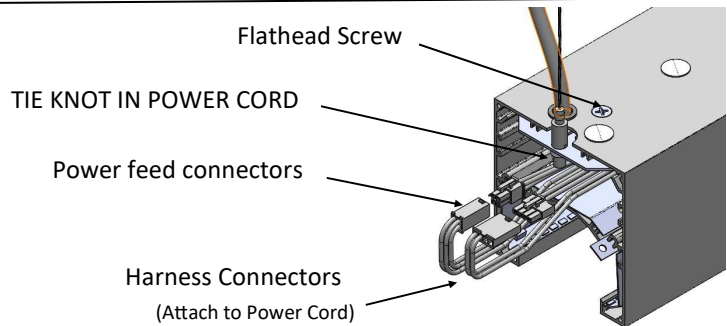
Adjust fixture length from ceiling with cable gripper.

Pins are used to align fixtures. Slide fixtures together and fasten supplied flat-head screw to bracket.



Use provided flathead screws to secure hanger bracket to fixture.

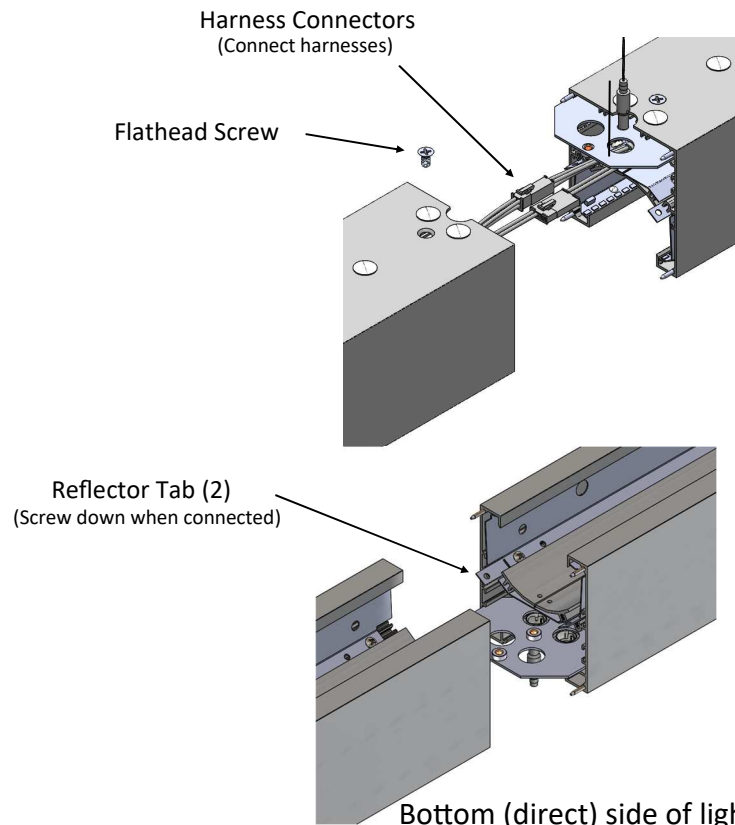
Attach power and dimming harness connectors from the fixture to the power cord (Tuck in fixture). As Required.



For row mounting fixtures attach male end of harness to female end of harness and slide fixtures together until no gap remains.

Fasten flathead screws on each fixture.

Fasten reflector tabs down with supplied screws after sliding fixtures together.



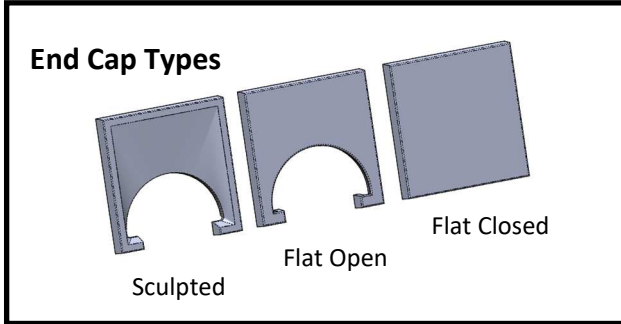
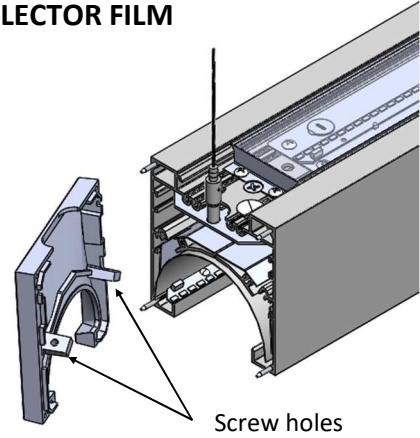
Bottom (direct) side of light shown.

Linear Fixtures

## INSTALLATION INSTRUCTIONS FOR JOINING END CAPS AND REFLECTOR FILM

If End Cap is not factory installed: Tuck in harness at the end of rows and attach endcaps using supplied screws.

Fold reflector tabs up until they break off at the end of rows.



## INSTRUCTIONS FOR INSTALLING REFLECTOR MATERIAL

### AFTER THE FIXTURE IS HUNG IN PLACE

#### Tools and Materials Needed

Tape (Supplied)

Cotton Gloves (Supplied)

Reflector Roll (Supplied)

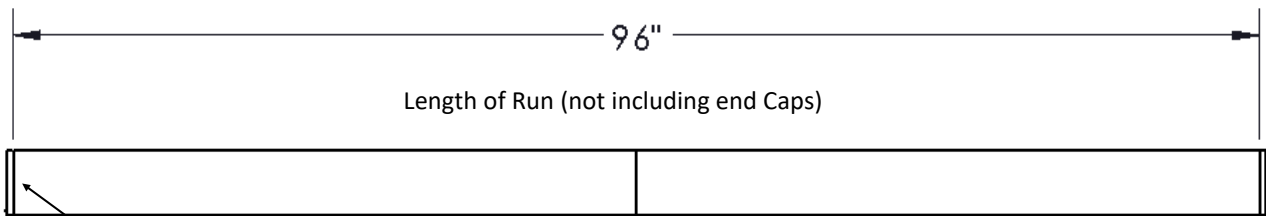


#### Cut Reflector to Length

Calculate Reflector Length

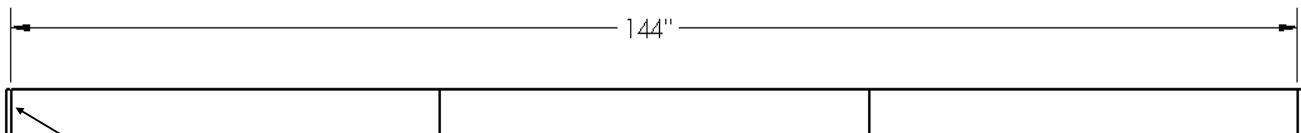
Runs with Flat End Caps = Length of Run minus 1/2"

Runs with Sculpted End Caps = Length of Run minus 7/16"



#### Example 1

Reflector Length in this example would be 96" (Length of Run) **minus** 1/2" (Flat End Cap Calculation) = 95.50"

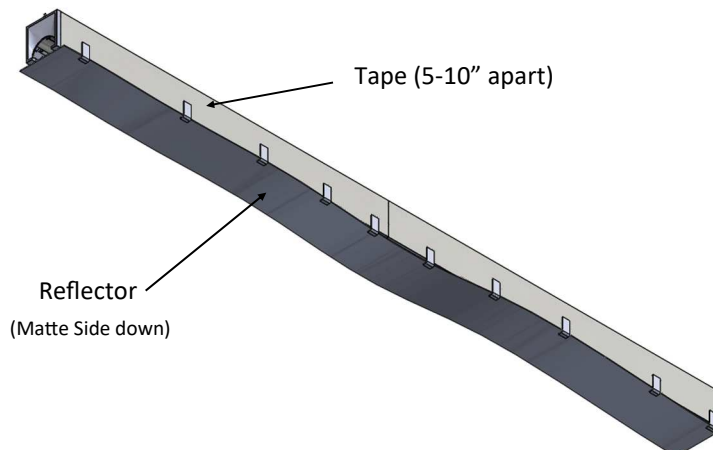


#### Example 2

Reflector Length in this example would be 144" (Length of Run) **minus** 7/16" (Sculpted End Cap Calculation) = 143.57"

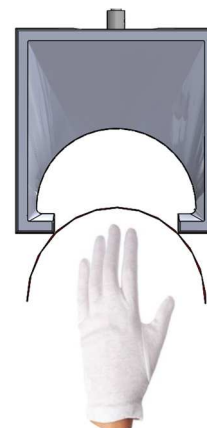
## INSTRUCTIONS FOR INSTALLING REFLECTOR MATERIAL CONTINUED

Tape Reflector with Matte side down to housing

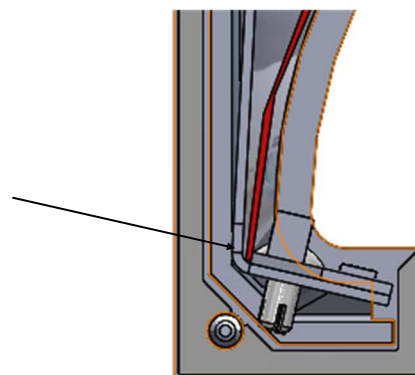


Push Reflector upward and remove tape

Using cotton gloves, gently tuck reflector in place by pushing upward and tucking the reflector behind the LED boards.



Tuck reflector under endcap ledge to hide cut ends by sliding reflector under.  
(Make sure that the reflector is tucked behind all LEDs on both sides of fixture.)



### REFLECTOR CLEANING INSTRUCTIONS:

For Dust and Particles that are on Reflector - Wipe with a soft lint-free cloth (such as microfiber)

For difficult deposits cleaning can be done with a soft cloth and water