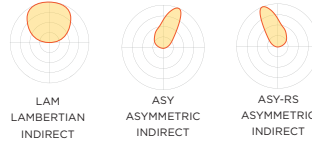
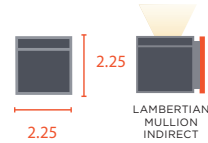


**STANDARD FINISHES**  
Black, White, & Silver



UP TO 149 lm/W PERFORMANCE		
INDIRECT lm/ft	OPTIC WATTS PER FOOT	
	ASY	LAM
375 lm/ft	3.28	2.68
500 lm/ft	4.30	3.48
750 lm/ft	6.40	5.08
1000 lm/ft	8.93	6.95

Performance based on 4-foot luminaire at 4,000K @ 25-degrees C



LIGHT LOSS FACTOR		
CCT	CRI	%
4000K	84+	100%
3500K	84+	97.1%
3000K	84+	95.7%
2700K	84+	94.1%
4000K	92+	88.9%
3500K	92+	85.5%
3000K	92+	83.8%
2700K	92+	82.4%



**ORDER GUIDE**

EOS 2.0m-WMM-I [ ] [ ] [ ] [ ] [ ] [ ] [ ] [ ] [ ] [ ]

A B C D E F G H I

EXAMPLE EOS 2.0m-WMM-I ASY 1000 8 40K 8 UNV SI W [ ]

**OPTIONS**

[ ] J (Multiple Selections)

A. MODEL	B. OPTICS	C. INDIRECT DISTRIBUTION	D. LENGTH	E. COLOR TEMPERATURE
EOS 2.0m-WMM-I (Mullion Mount)	LAM Lambertian ASY Asymmetric (Wall Side) ASY-RS Asymmetric (Room Side)	375 500 750 1000 XXX	375 lm/ft 500 lm/ft 750 lm/ft 1000 lm/ft Custom lm/ft	27K 30K 35K 40K WCT 2700K 3000K 3500K 4000K White Color Tuning 2700K - 6500K

NOTES

		Consult factory for outputs between min and max.		WCT - max lm/ft is 1000 based on 80 CRI and 4000K.
--	--	--	--	--

F. CRI	G. VOLTAGE	H. DRIVER	I. FINISH
8 80+CRI 9 90+CRI	UNV 120-277v 347 347v	S1 1% Dimming (0-10v) LDE1 Lutron Hi-Lume 1% Fade to Black ELO 0.1% EldoLED DXL 1% Dexal	W White B Black S Silver CC Custom Colors

90 CRI option has an R9 value greater than 60.	347 may not be available in all configurations.	AWN-R-W, AWNR-B, VDO, VRF, SPD, & CLM options supplied with DXL driver standard.	Consult factory for custom colors.
--	---	--	------------------------------------

**OPTIONS**

J. CONTROLS & FACTORY OPTIONS			
Q NONE	Leave Blank	SPD	Osram SensiLUM
Q AWNR-W	Lutron Vive (RF/Daylight/Occ)	CLM	Osram Connecting Light Module (CLM)
Q AWNR-B	Lutron Vive RF Fixture Control	DOC	Enlighted Daylight/Harvesting Occ (SU-
Q VDO	Osram SensiLUM Daylight/Harvest/Occ		
Q VRF	Osram Connecting Light Module (CLM)	Q EB	Emergency Battery (10-Watt)
	Enlighted Daylight/Harvesting Occ (SU -	Q EC	Emergency Circuit
		NL	Night Light Circuit

AWN-R-W, ANWR-B, VDO, VRF, SPD, & CLM options supplied with DXL driver standard.  
EB option only available for lengths 4ft or greater.

May choose more than one option in this category.

## LIGHT SOURCE

Long life name brand LED chips and boards to ensure the highest of quality while providing even and smooth illumination throughout our luminaires.

Our luminaires are available in 2700K, 3000K, 3500K and 4000K color temperature as well as White Color Tuning (2700-6500K).

Optional 80CRI or 90CRI available in all CCT options.

## LUMEN MAINTENANCE

The projected lumen maintenance of the name brand mid-powered LED's are projected to maintain 80% (L80) of their initial output for +80,000 hours.

## CONSTRUCTION

The housings are constructed of (6063T5) extruded aluminum. Our internal joiner system is designed to the highest of standards to ensure our precision cut housings align and fit tightly without light leak. Our precision fitting end caps are constructed out of die cast aluminum and our steel reflectors are painted white.

## FINISH

Polyester powder, low gloss textured paint finish applied after a multi-stage pretreatment. Standard luminaire finishes include white, silver, and black. Custom color options are available. (Consult Factory).

## OPTICS

Asymmetric and, Lambertian are extruded acrylic.

## DRIVERS

All of our luminaires come standard with 1% dimming and THD <20% utilizing 0-10v constant current protocol. 120v/277v is standard with the option of 347v. Driver ambient operating temperature -30°C to +50°C.

## EMERGENCY

An integral factory installed 10 watt emergency battery pack. Emergency circuit and Night Light circuit options are available.

## LUMINAIRE LENGTH

Our EOS 2.0m Mullion Mount Indirect luminaire series are available in 2', 3', 4', 5', 6', 7' and 8' individual lengths or continuous row configurations. Continuous row configurations are joined together on-site utilizing the joiner kits provided.

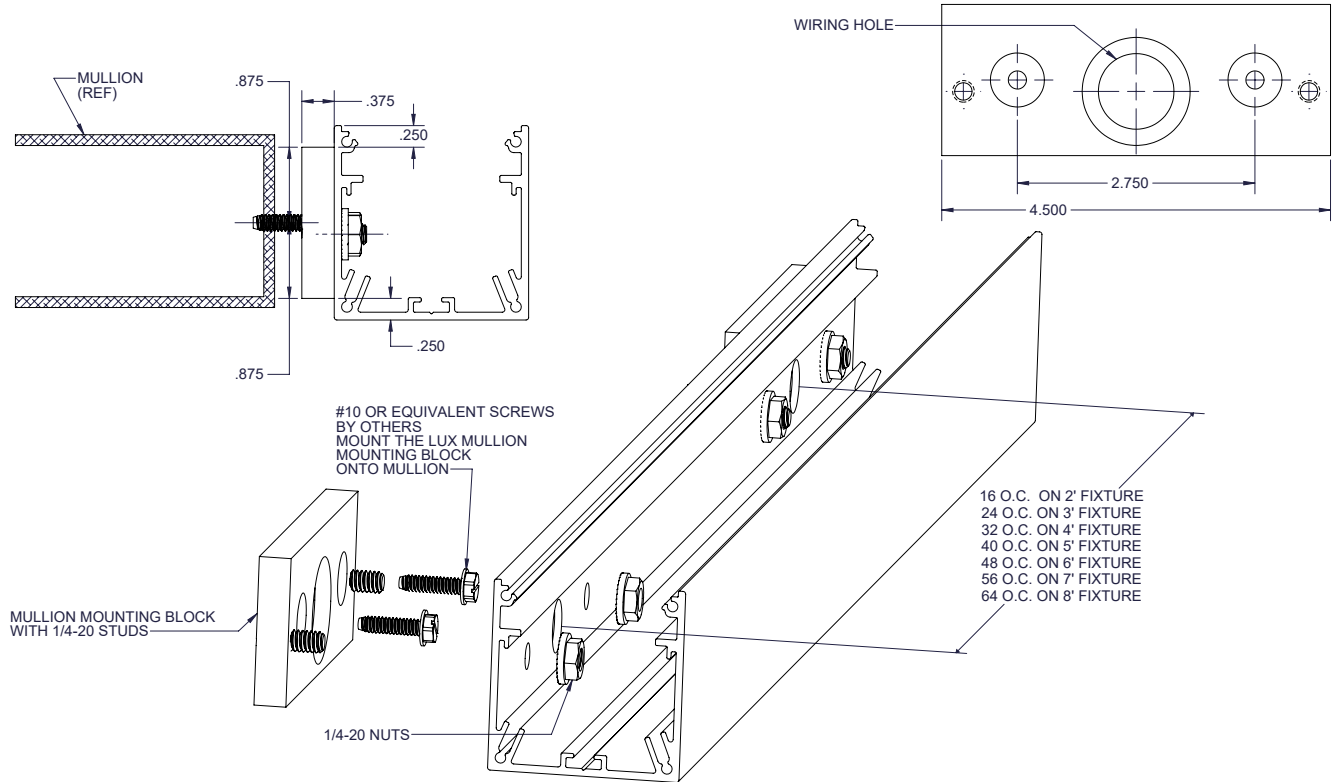
## LUMINAIRE WEIGHT

The approximate weight of a four foot luminaire is 12 lbs including end caps assembled.



**MOUNTING**

EOS 2.0m Mullion Indirect luminaire is engineered with a window mullion mount mechanism for a refined integration process resulting in a minimalist application of the lighting solution that becomes part of the architecture.



CONTINUOUS RUN ORDER GUIDES

Please use the following run guides for fixture ordering. If your product will require a submittal, our in-house Application Engineering Team will work closely with you on your project.

ALUMINUM PRODUCT ORDER GUIDE	
RUN LENGTH (ft)	RUN CONFIGURATION - SECTION LENGTHS
9	6' + 3'
10	6' + 4'
11	6' + 5'
12	6' + 6'
13	6' + 7'
14	8' + 6'
15	8' + 7'
16	8' + 8'
17	6' + 5' + 6'
18	6' + 6' + 6'
19	6' + 7' + 6'
20	8' + 4' + 8'
21	8' + 5' + 8'
22	8' + 6' + 8'
23	8' + 7' + 8'
24	8' + 8' + 8'
25	5' + 8' + 8' + 4'
26	4' + 6' + 6' + 6' + 4'
27	6' + 8' + 8' + 5'
28	6' + 8' + 8' + 6'
29	7' + 8' + 8' + 6'

\*Standard Run Configurations Shown, Consult Factory for Custom Configurations.

ALUMINUM PRODUCT ORDER GUIDE	
RUN LENGTH (ft)	RUN CONFIGURATION - SECTION LENGTHS
30	6' + 6' + 6' + 6' + 6'
31	6' + 6' + 7' + 6' + 6'
32	8' + 8' + 8' + 8'
33	5' + 8' + 8' + 8' + 4'
34	6' + 8' + 8' + 8' + 4'
35	6' + 8' + 8' + 8' + 5'
36	6' + 8' + 8' + 8' + 6'
37	8' + 8' + 5' + 8' + 8'
38	8' + 8' + 6' + 8' + 8'
39	8' + 8' + 7' + 8' + 8'
40	8' + 8' + 8' + 8' + 8'
41	5' + 8' + 8' + 8' + 8' + 4'
42	6' + 8' + 8' + 8' + 8' + 4'
43	6' + 8' + 8' + 8' + 8' + 5'
44	6' + 8' + 8' + 8' + 8' + 6'
45	7' + 8' + 8' + 8' + 8' + 6'
46	3' + 8' + 8' + 8' + 8' + 8' + 3'
47	4' + 8' + 8' + 8' + 8' + 8' + 3'
48	8' + 8' + 8' + 8' + 8' + 8'
49	5' + 8' + 8' + 8' + 8' + 8' + 4'
50	6' + 8' + 8' + 8' + 8' + 8' + 4'

\*Standard Run Configurations Shown, Consult Factory for Custom Configurations.

