

UP TO 108 lm/W PERFORMANCE		
DIRECT LIGHT	WATTS PER FOOT	
375 lm/ft	14.6	
500 lm/ft	18.8	
750 lm/ft	29	
1000 lm/ft	39.4	
1250 lm/ft	52.7	
Performance based on 4-foot luminaire at 4,000K @ 25-degrees C		
LIGHT LOSS FACTOR		
CCT	CRI	%
4000K	84+	100%
3500K	84+	97.1%
3000K	84+	95.7%
2700K	84+	94.1%
4000K	92+	88.9%
3500K	92+	85.5%
3000K	92+	83.8%
2700K	92+	82.4%

**STANDARD FINISHES**  
Black, White, & Silver



**ORDER GUIDE**

EOS4.0-R-V		FT								
A	B	C	D	E	F	G	H	I	J	

EXAMPLE

EOS 4.0 - R - V	WET	FT	500	4	35K	B	UNV	SI	W	
-----------------	-----	----	-----	---	-----	---	-----	----	---	--

**OPTIONS**

J (Multiple Selections)
-------------------------

A. MODEL	B. LOCATION	C. TRIM	D. DISTRIBUTION	E. LENGTH	F. COLOR TEMPERATURE
EOS 4.0 - R - V	NONE Damp WET WET	FT Flange Trim	375 375 lm/ft 500 500 lm/ft 750 750 lm/ft 1000 1000 lm/ft 1250 1250 lm/ft XXX Custom lm/ft	2 2 ft (24 in) 3 3 ft (36 in) 4 4 ft (48 in) XXX System Run	27K 2700K 30K 3000K 35K 3500K 40K 4000K WCT White Color Tuning 2700K - 6500K

NOTES

			Consult factory for outputs between min and max.	Lengths greater than 4ft are made up of combinations of 2, 3, or 4ft units. See page 3 & 4 for more details on luminaire runs. Above dimensions are nominal. See page 3 and 4 for accurate dimensions.	WCT - max lm/ft is 1000 based on 80 CRI and 4000K.
--	--	--	--	---	--

G. CRI	H. VOLTAGE	I. DRIVER	J. FINISH
8 80 + CRI 9 90 + CRI	UNV 120 - 277v 347 347v	S1 1% Dimming (0 - 10v) LDE1 Lutron Hi-Lume 1% Fade to Black ELO 0.1% EidoLED DXL 1% Dexal	W White B Black S Silver CC Custom Colors

90 CRI option has an R9 value greater than 60.	347 may not be available in all configurations.		Consult factory for custom colors.
--	---	--	------------------------------------

**OPTIONS**

**K. FACTORY OPTIONS**

NONE	Leave Blank
EB	Emergency Battery (10 - Watt)
EC	Emergency Circuit
NL	Night Light Circuit

EB option only available in the 4ft lengths.  
May choose more than one option in this category.

## LIGHT SOURCE

Long life name brand LED chips and boards to ensure the highest of quality while providing even and smooth illumination throughout our luminaires.

Our luminaires are available in 2700K, 3000K, 3500K and 4000K color temperature as well as White Color Tuning (2700-6500K).

Optional 80CRI or 90CRI available in all CCT options.

## LUMEN MAINTENANCE

The projected lumen maintenance of the name brand mid-powered LED's are projected to maintain 80% (L80) of their initial output for +80,000 hours.

## CONSTRUCTION

The housing and door frame is constructed of 6063T5 extruded aluminum with die cast ends. The door frame is secured to the housing with center pin TORX fasteners. Standard Damp Location listed with Optional Wet location.

## FINISH

Polyester powder, low gloss textured paint finish applied after a multi-stage pretreatment. Standard luminaire finishes include white, silver, and black. Custom color options are available. (Consult Factory).

## OPTICS

Frosted Polycarbonate lens 0.196" (5mm) thick secured in aluminum extruded door frame.

## DRIVERS

All of our luminaires come standard with 1% dimming and THD <20% utilizing 0-10v constant current protocol. 120v/277v is standard with the option of 347v.

## EMERGENCY

An integral factory installed 10 watt emergency battery pack. Emergency circuit and Night Light circuit options are available.

## LUMINAIRE LENGTH

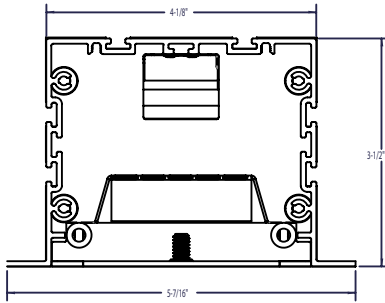
Our EOS 4.0 Recessed Vandal luminaire series are available in 2', 3', and 4' individual units or can be combined into rows made up of the above sizes. See typical row information below.

## LUMINAIRE WEIGHT

The approximate weight of a four foot luminaire is 16.8 lbs Including end caps assembled.

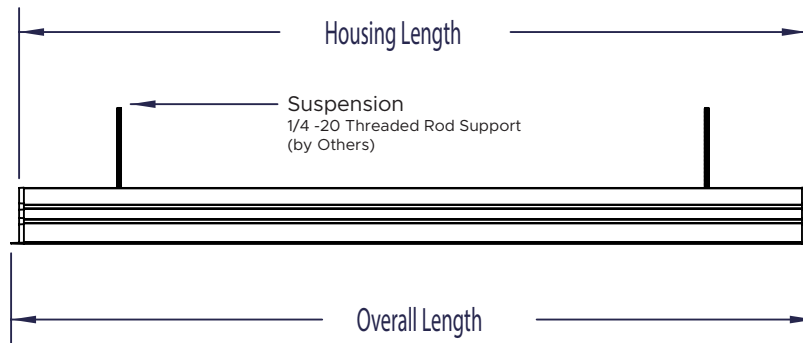


CROSS SECTION

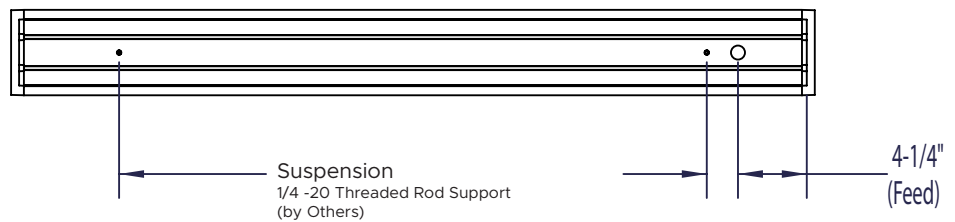


Luminaire	DIMENSIONS			
	Overall Length	Housing Length	Suspension	Cut Opening
2 ft Individual	26.23"	25.23"	15.73"	25.5" Long 4.4" Wide
3 ft Individual	38.23"	37.23"	24.73"	37.5" Long 4.4" Wide
4 ft Individual	50.23"	49.23"	36.73"	49.5" Long 4.4" Wide

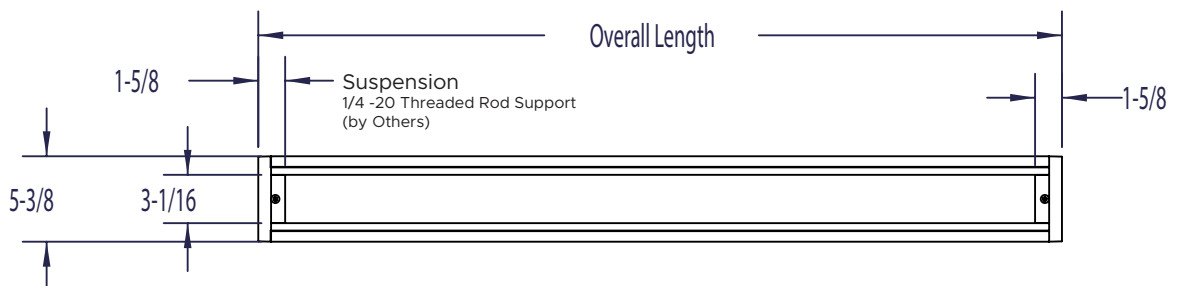
SIDE VIEW

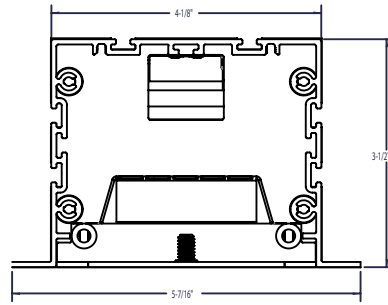


TOP VIEW



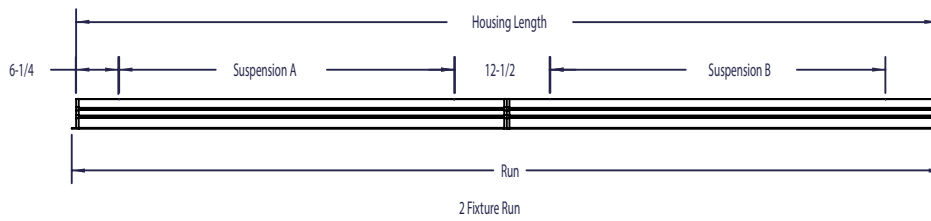
BOTTOM VIEW





Luminaire	DIMENSIONS						
	Run Overall Length	Housing Length	"A" Suspension	"B" Suspension	"C" Suspension	Window Cut Width	Window Cut Length
5' Run (3' & 2')	63.46"	62.46"	24.73"	15.73"	N/A	4.4"	62.75"
6' Run (3' & 3')	75.46"	74.46"	24.73"	24.73"	N/A	4.4"	74.75"
7' Run (4' & 3')	87.46"	86.46"	36.73"	24.73"	N/A	4.4"	86.75"
8' Run (4' & 4')	99.46"	98.46"	36.73"	36.73"	N/A	4.4"	98.75"
9' Run (3' & 3' & 3')	112.69"	111.69"	24.73"	24.73"	24.73"	4.4"	112"
10' Run (3' & 4' & 3')	124.69"	123.69"	24.73"	36.73"	24.73"	4.4"	124"
11' Run (4' & 3' & 4')	136.69"	135.69"	36.73"	24.73"	36.73"	4.4"	136"
12' Run (4' & 4' & 4')	148.69"	147.69"	36.73"	36.73"	36.73"	4.4"	148"

2 FIXTURE RUN DETAILS



3 FIXTURE RUN DETAILS

