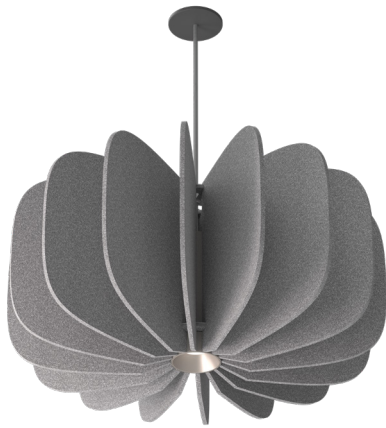


# Halcyon 4.0 Acoustic 4000 Lumens

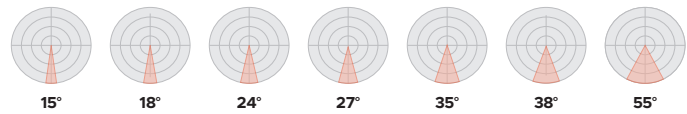
PENDANT  
Medium / Large

LUX ILLUMINAIRE



Tranquil Lighting—the Halcyon pendant seamlessly merges contemporary grace with a serene ambiance. Its acoustically designed exterior shape not only absorbs sound but also reduces reverberation. With an integrated 2” or 4” luminaire at its core, it emanates the perfect ambient light. Incorporating the Halcyon into spaces like lobbies, private offices, collaborative areas, or breakrooms adds a quintessential and functional touch. Choose from a diverse selection of sizes, shapes, and colors to match your preferences. This pendant family offers a lumen output range of 500 to 4000 lumens, ensuring abundant illumination for various needs.

### 70mm Beam Optics:



### STYLE COLORS

#### STANDARD FINISHES



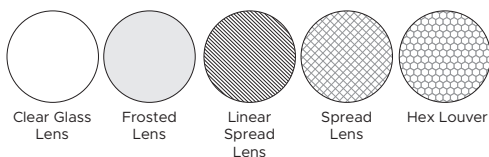
#### SPECIALTY FINISHES



### BAFFLE FINISHES



### ACCESSORIES



### SPECIFICATIONS

Im/W	Up To 110
Lumen Output	500 - 4000lm
Beam Optics	15°, 18°, 24°, 27°, 35°, 38°, 55°
Baffle Type	Deep Smooth Finish (Depth 1 3/8") Deep Milli-Groove (Depth 1 3/8")
Baffle & Trim Finishes	White, Black, Satin Silver & Champagne
CRI -80 (2-Step)	35K & 40K
CRI -90 (2-Step)	27K, 30K, 35K, 40K *90 CRI Option has an R9 Value Greater than 50
Accessories Options	Hex Louver, Frosted Lens, Linear Spread Lens, Spread Lens, Clear Lens
Accessories Qty	One
Drivers	0-10V, TRIAC, ELV, Lutron Ecosystem, DALI, (Optional Emergency Battery)
Dimming	1%, 5%, 0.1%
Voltage	120-277 Volt
Lumen Maintenance	80,000
Power Factor	> .95
THD	< 20kHz
Approved Location	Dry/Damp
Certifications	UL Listed

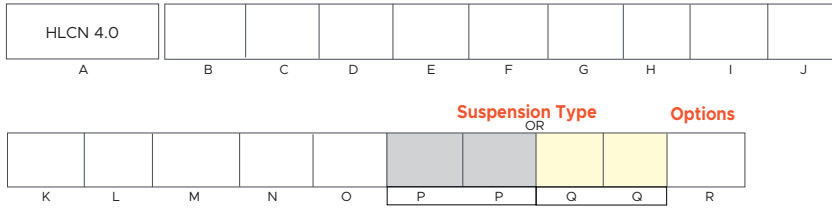


Suitable for Damp locations.



Model Sequence

### Ordering Guide



NOTES:



Suitable for damp locations.

#### ACOUSTIC PENDANT

A. MODEL	B. STYLES	C. DISTRIBUTION
HLCN 4.0	<b>ROUND Pendant</b> RD4-18 - 4" Cylinder - 19" x 18" RD4-24 - 4" Cylinder - 24" x 24"	D Direct
	<b>TAPERED Pendant</b> TP4-18 - 4" Cylinder - 20" x 18" TP4-24 - 4" Cylinder - 25" x 24"	
	<b>ELLIPSOID Pendant</b> EL4-18 - 4" Cylinder - 32" x 17" EL4-24 - 4" Cylinder - 48" x 24"	
	<b>APPLE Pendant</b> AP4-18 - 4" Cylinder - 20" x 18" AP4-24 - 4" Cylinder - 24" x 24"	
HLCN 4.0	<b>DRUM Pendant</b> DR4-18 - 4" Cylinder - 24" x 18" DR4-24 - 4" Cylinder - 42" x 24"	D Direct
	<b>MONOLITH Pendant</b> MN4-18 - 4" Cylinder - 15" x 18" MN4-24 - 4" Cylinder - 18" x 24"	
	<b>OVAL Pendant</b> OV4-18 - 4" Cylinder - 36" x 18" OV4-24 - 4" Cylinder - 48" x 24"	
	<b>DOME Pendant</b> DM4-18 - 4" Cylinder - 37" x 18" DM4-24 - 4" Cylinder - 47" x 24"	
HLCN 4.0	<b>FLARE Pendant</b> FL4-18 - 4" Cylinder - 27" x 18" FL4-24 - 4" Cylinder - 33" x 24"	D Direct
	<b>CONVEX Pendant</b> CX4-33 - 4" Cylinder - 15" x 33"	
	<b>PEAR Pendant</b> PR4-33 - 4" Cylinder - 17" x 33"	
	<b>CURVILINEAR Pendant</b> CL4-18 - 4" Cylinder - 19" x 18" CL4-24 - 4" Cylinder - 24" x 24"	
HLCN 4.0	<b>TEAR DROP Pendant</b> TD4-33 - 4" Cylinder - 17" x 33"	D Direct

NOTES:

D. STYLE COLORS	E. CYLINDER FINISH	F. LUMEN OUTPUT	G. BAFFLE TYPE	H. BEAM OPTICS
Standard BK Black (AC44) MB Marble (AC03) LG Lt Gray (AC10) CH Charcoal (AC12)	WH White BK Black SV Silver	500 500 lm, 5W 750 750 lm, 8W 1000 1000 lm, 10W 1250 1250 lm, 12W 1500 1500 lm, 15W 1750 1750 lm, 18W 2000 2000 lm, 22W 2500 2500 lm, 26W 3000 3000 lm, 28W 3500 3500 lm, 34W 4000 4000 lm, 42W	DSF Deep, Smooth DMF Deep, Milli-Groove	15 Narrow Spot 15° 18 Spot 18° 24 Narrow Flood 24° 27 Narrow Flood 27° 35 Flood 35° 38 Flood 38° 55 Wide Flood 55°
Speciality YL Yellow (AC51) OR Orange (AC 32) GR Green (AC46) BL Blue (AC07) NV Navy (AC42) RD Red (AC17) LT Light Tan (AC05) CM Caramel (AC02) SG Smoke Gray (AC47) WH White (AC04)				
See Color Guide Below		Lumen output is based on 3500K 80CRI refer to Light Loss Factor Table.		

I. BAFFLE FINISH	J. OPTIC ACCESSORIES	K. CRI & COLOR TEMP.	L. VOLTAGE	M. DRIVER
WH White BK Black SS Satin Silver CG Champagne CC Custom Color RAL # required	NN None HL Hex Louver CL Clear Glass FG Frosted Glass SG Striped Glass XG Check Glass	835 80 CRI; 3500K 840 80 CRI; 4000K 927 90 CRI; 2700K 930 90 CRI; 3000K 935 90 CRI; 3500K 940 90 CRI; 4000K	UNV 120-277v For 347V Consult Factory	S1 1% Dimming (0 - 10v) DD Dual Dimming (2-wire dimming - Triac/ELV/Phase Cut - 5% Dimming) SAX 1% Dim with Aux PEG Lutron, Hi-Lume Premier EcoSystem 0.1% Fade to Black ELO EidoLED 0.1% Dim to Dark driver DALI DALI 2.0 Compatible
		All CCT are 2 Step MacAdam Ellipse *90 CRI Option has an R9 Value Greater than 50		1750 lm max for dual dim.

N. CANOPY TYPE		O. CANOPY COLOR		P. POWER CORD		P. CORD LENGTH		Q. STEM		Q. STEM LENGTH		R. OPTIONS	
FRC Flat Round Canopy	WH White	WF White Feed	24 24 in	WST White Stem	12 12 in	NN NONE							
PRC Power Round Canopy	BK Black	BF Black Feed	42 42 in	BST Black Stem	18 18 in	EB Emergency Battery (6-Watt)							
SRJ Surface Round J-Box Canopy	SV Silver	SF Silver Feed	102 102 in	SST Silver Stem	24 24 in	RD Remote Driver Only							
PRS Power Round Surface J-Box Canopy			150 150 in	CST Custom Color	48 48 in	SLP Slope Ceiling							
				RAL # required	xx Custom length	AWNR-W Lutron Athena Wireless Node (RF-only) in White							
					Specified in inches	AWNR-B Lutron Athena Wireless Node (RF-only) in Black(RF-only)							

FRC required if Remote Driver Selected.

Maximum Pendant height is 50" when cord hung, greater than 50" requires stem mount.

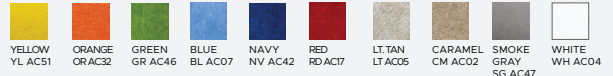
#### BAFFLE/BEAM ANGLE/ MAX LUMENS CROSS REFERENCE

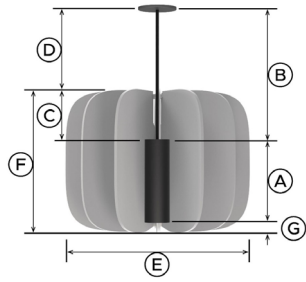
BAFFLE TYPE	Performance 70mm Optic						
	15°	18°	24°	27°	35°	38°	55°
DSF	1500	2500	4000	4000	2500	4000	4000
DMF	1500	2500	4000	4000	2500	4000	4000

#### STANDARD FINISHES



#### SPECIALTY FINISHES





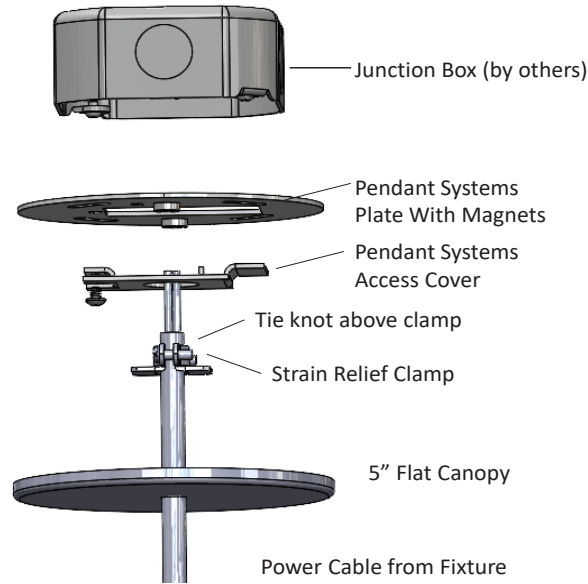
## HLcN Pendant Dimensions Guide

			A	B	C	D	E	F	G	
	Round	RD4-18	4" Cylinder	11	CORD or STEM LENGTH from Tech Sheet	7	= (B) - (C)	19	18	0.2
		RD4-24	4" Cylinder	11		13	= (B) - (C)	25	24	0.25
	Tapered	TP4-18	4" Cylinder	11		7	= (B) - (C)	20	18	0.3
		TP4-24	4" Cylinder	11		13	= (B) - (C)	25	24	0.5
	Ellipsoid	EL4-18	4" Cylinder	11		5	= (B) - (C)	32	17	0.9
		EL4-24	4" Cylinder	11		11	= (B) - (C)	48	24	1.0
	Apple	AP4-18	4" Cylinder	11		7	= (B) - (C)	20	18	0.8
		AP4-24	4" Cylinder	11		12	= (B) - (C)	24	24	0.9
	Drum	DR4-18	4" Cylinder	11		7	= (B) - (C)	24	18	0.6
		DR4-24	4" Cylinder	11		13	= (B) - (C)	42	24	0.6
	Monolith	MN4-18	4" Cylinder	11		7	= (B) - (C)	15	18	0.6
		MN4-24	4" Cylinder	11		13	= (B) - (C)	18	24	0.9
	Oval	OV4-18	4" Cylinder	11		7	= (B) - (C)	36	18	0.3
		OV4-24	4" Cylinder	11		12	= (B) - (C)	48	24	0.5
	Dome	DM4-18	4" Cylinder	11	7	= (B) - (C)	37	18	0.3	
		DM4-24	4" Cylinder	11	13	= (B) - (C)	47	24	0.4	
	Flare	FL4-18	4" Cylinder	11	7	= (B) - (C)	27	18	0.3	
		FL4-24	4" Cylinder	11	13	= (B) - (C)	33	24	0.5	
	Curvilinear	CL4-18	4" Cylinder	11	7	= (B) - (C)	19	18	0.4	
		CL4-24	4" Cylinder	11	13	= (B) - (C)	24	24	0.5	
	Convex	CX4-33	4" Cylinder	11		22	= (B) - (C)	15	33	0.4
	Pear	PR4-33	4" Cylinder	11		22	= (B) - (C)	17	33	0.4
	Tear Drop	TD4-33	4" Cylinder	11		22	= (B) - (C)	17	33	0.4

## MOUNTING DIAGRAM DETAILS

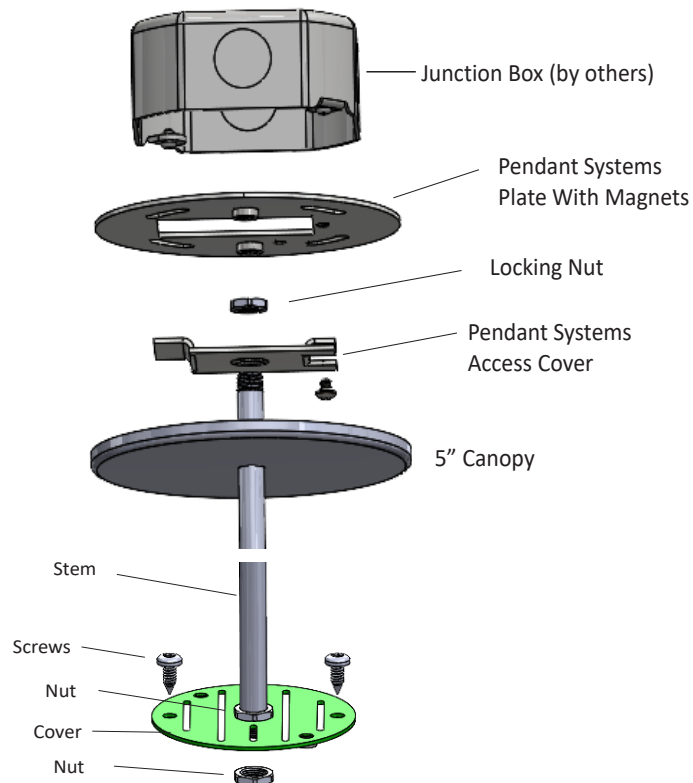
### Corded Power Drop Mount Detail

Ordering Code: FRC - Flat Round Canopy



### Stem Mount Detail

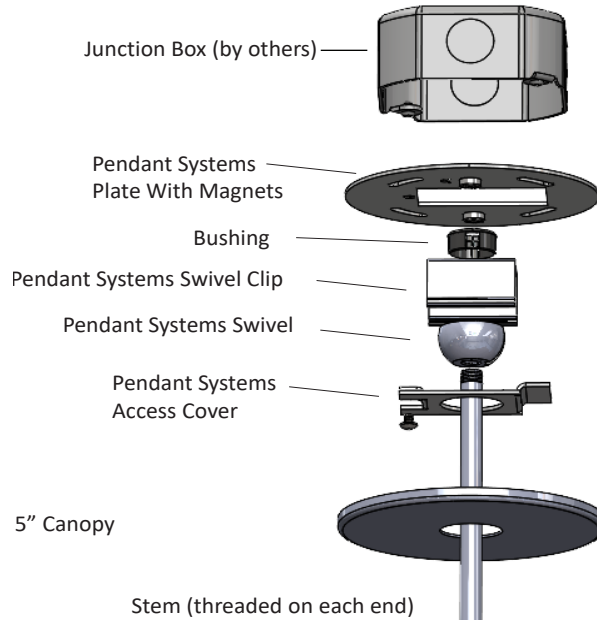
Ordering Code: FRC - Flat Round Canopy



## MOUNTING DIAGRAM DETAILS

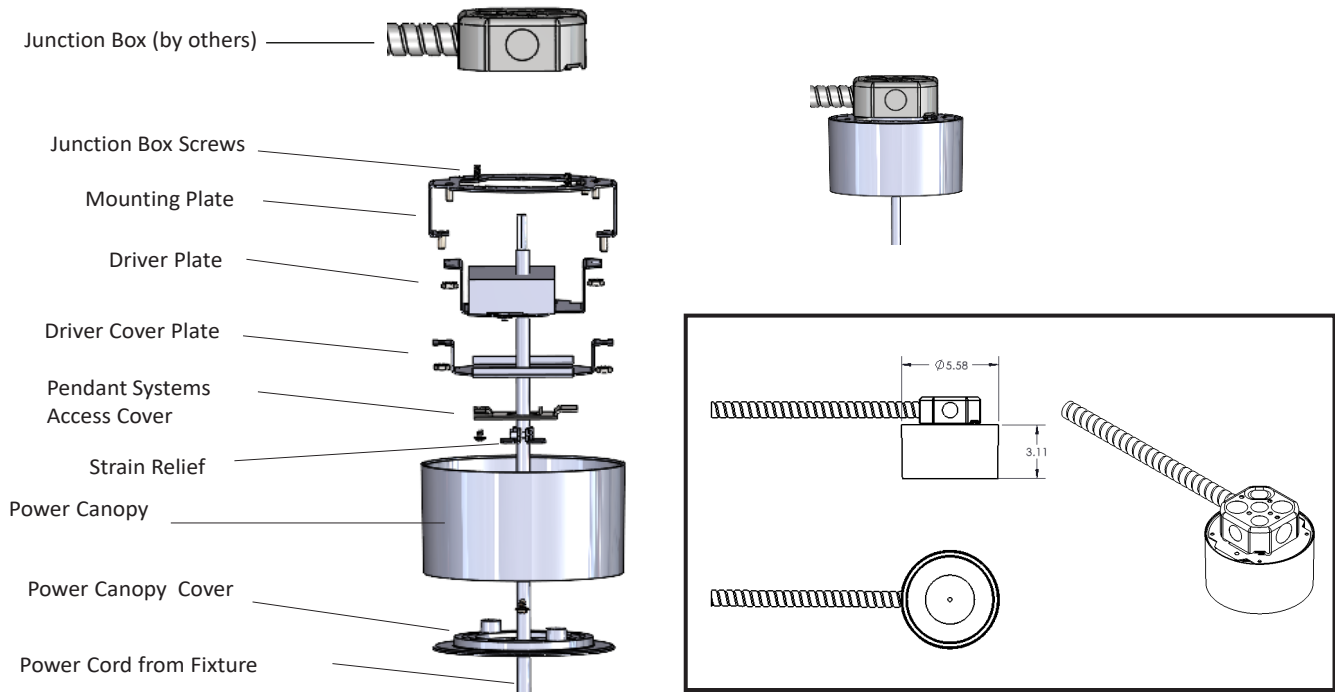
### Slope Ceiling Stem Mount Detail

Ordering Code: FRC - Flat Round Canopy



### Powered Canopy Detail with Power Cord Mount

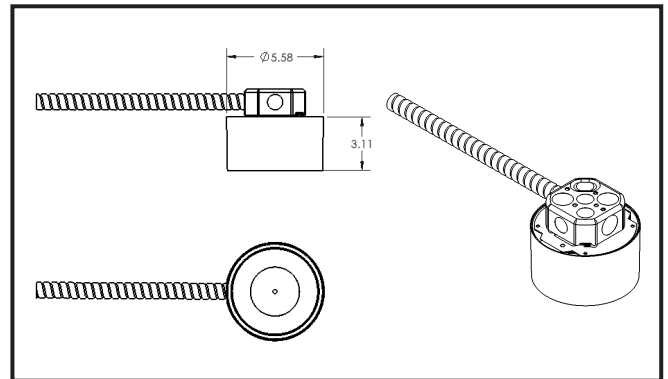
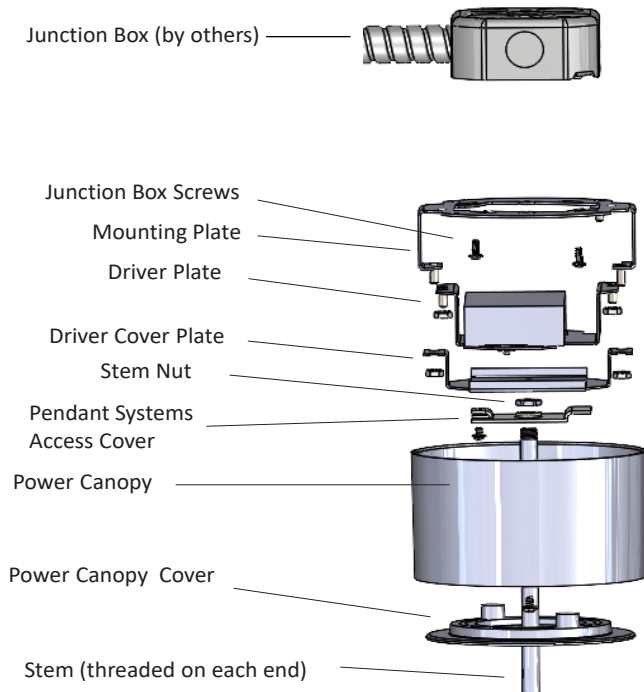
Ordering Code: PRC - Powered Round Canopy



## MOUNTING DIAGRAM DETAILS

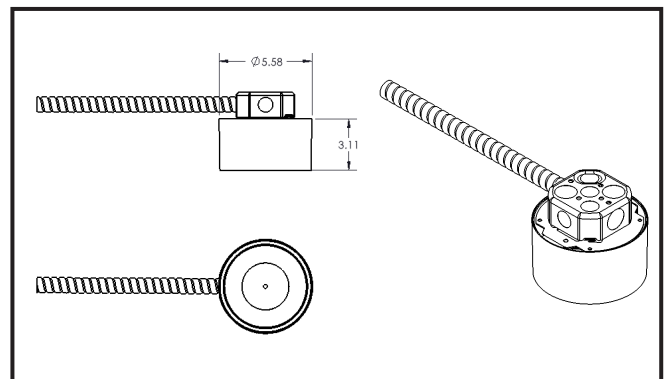
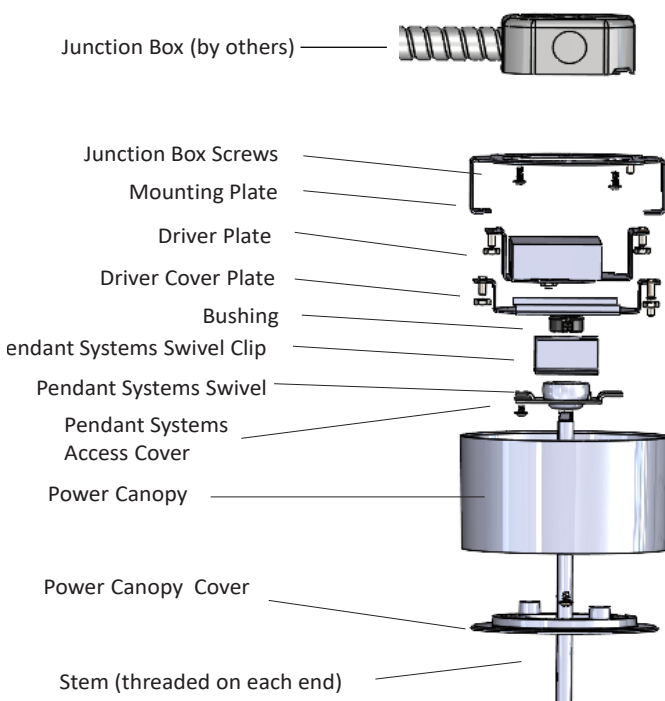
### Powered Canopy Detail with Stem Mount

Ordering Code: PRC - Powered Round Canopy



### Powered Canopy Detail with Slope Ceiling Stem Mount

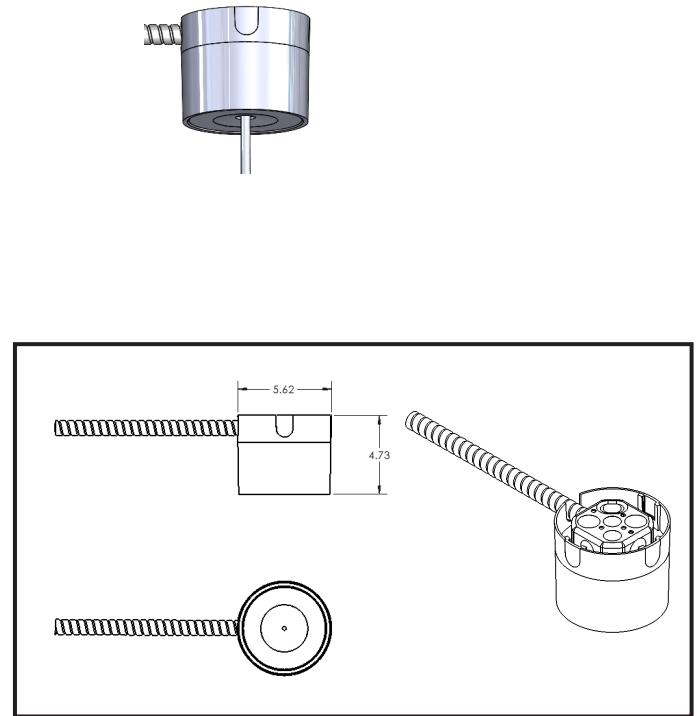
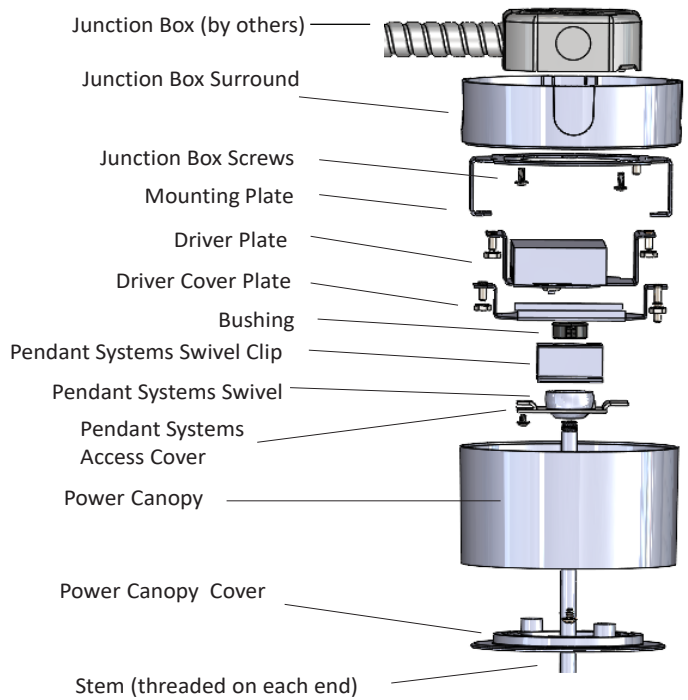
Ordering Code: PRC-SLP - Powered Round Surface J-Box Canopy, Slope Ceiling



## MOUNTING DIAGRAM DETAILS

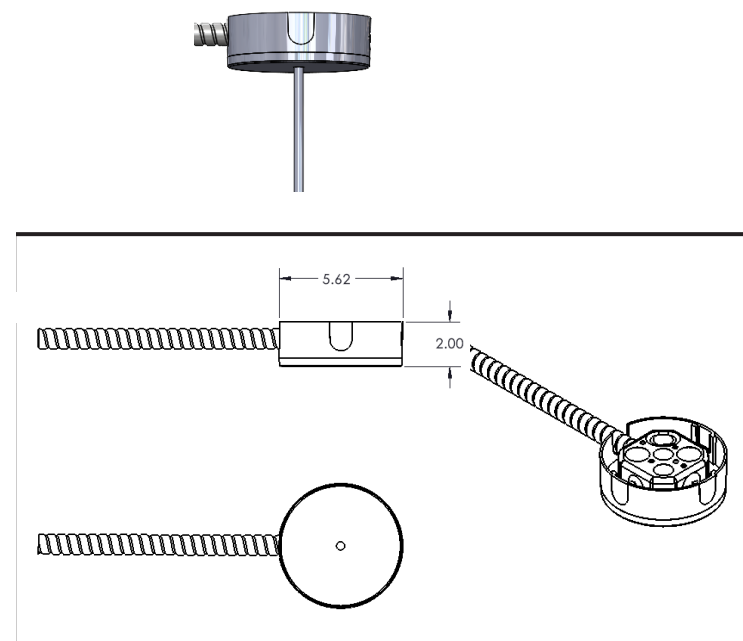
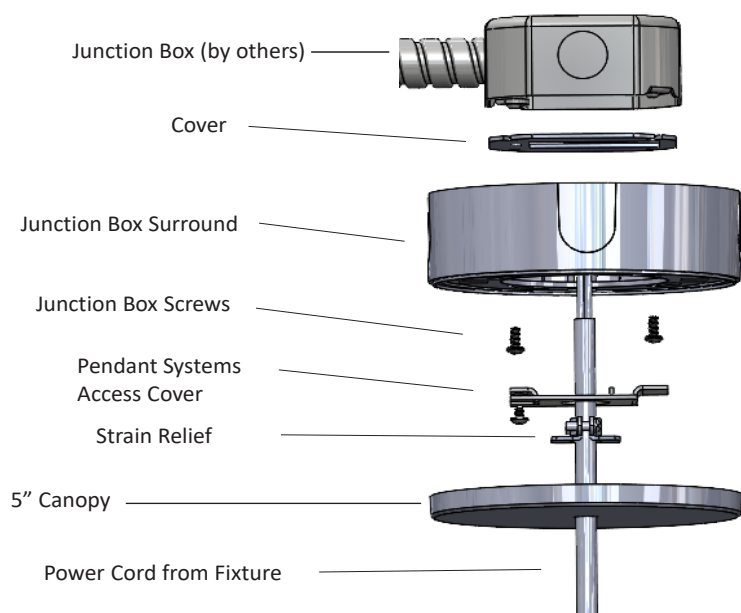
### Powered Canopy Detail with Surface Mount Slope Ceiling

Ordering Code: PRS-SLP - Powered Round Surface J-Box Canopy, Slope Ceiling



### Surface Mounting Detail with Cord Mount

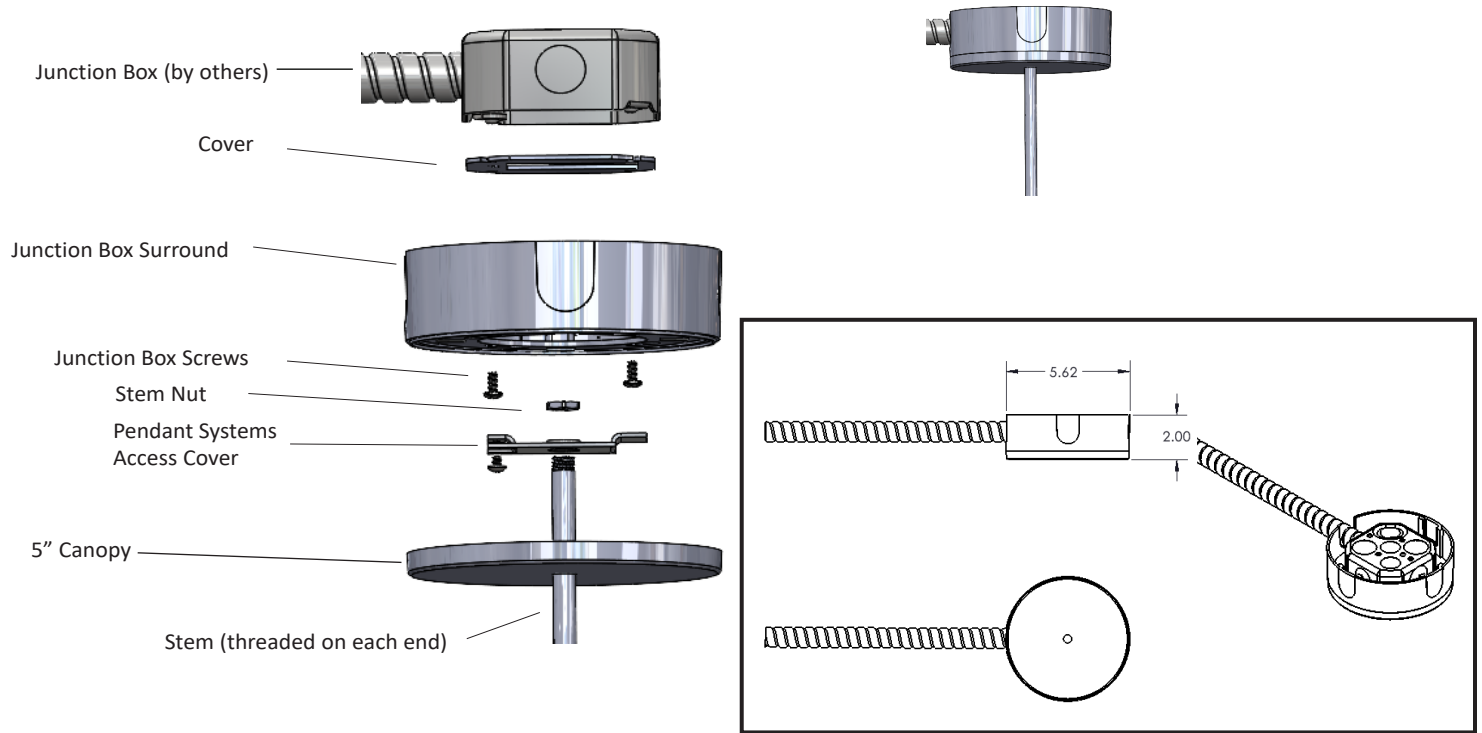
Ordering Code: SRJ - Surface Round J-Box Canopy



## MOUNTING DIAGRAM DETAILS

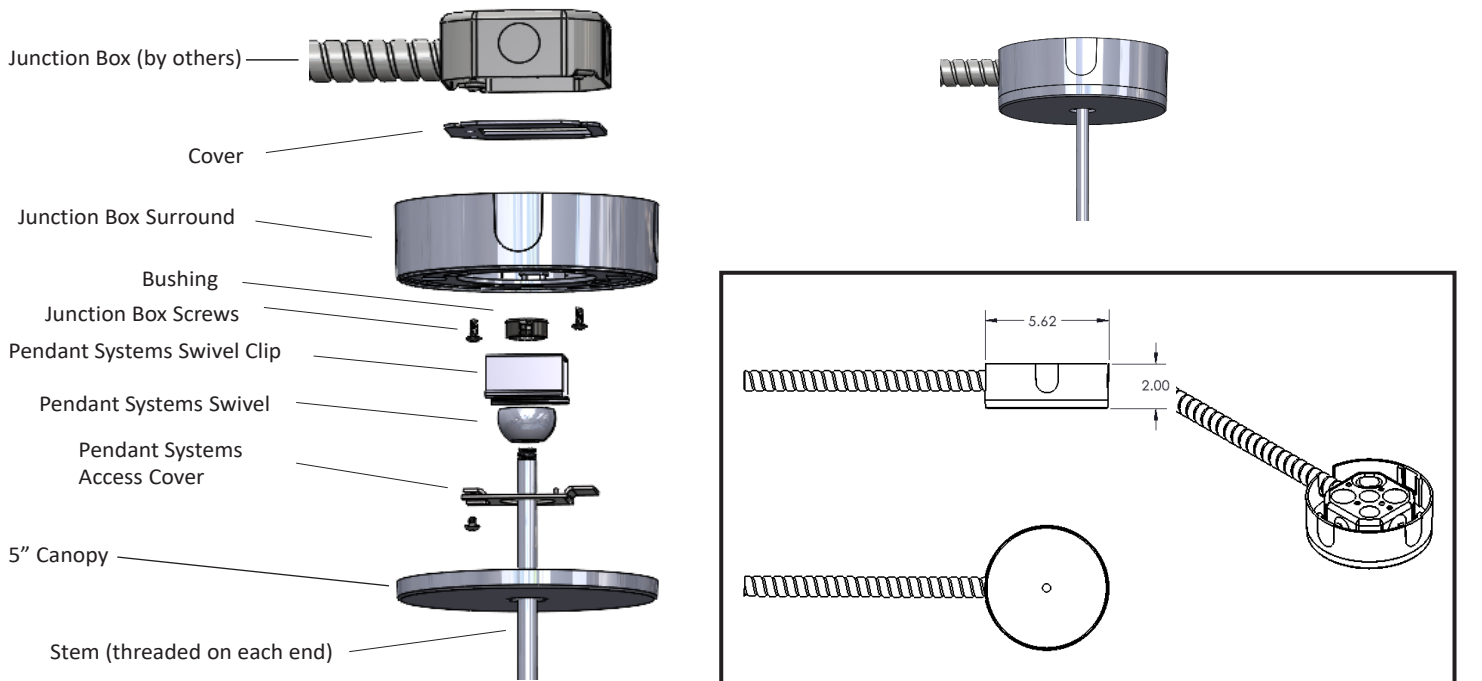
### Surface Mounting Detail with Stem Mount

Ordering Code: SRJ - Surface Round J-Box Canopy



### Surface Mounting Detail with Slope Stem Mount

Ordering Code: SRJ-SLP Surface Round J-Box, Slope Ceiling

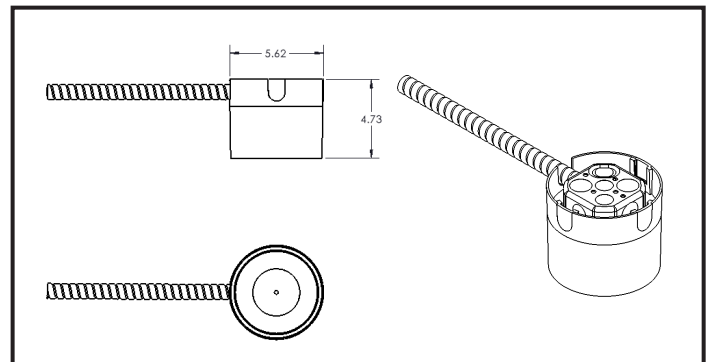
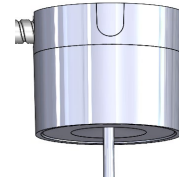
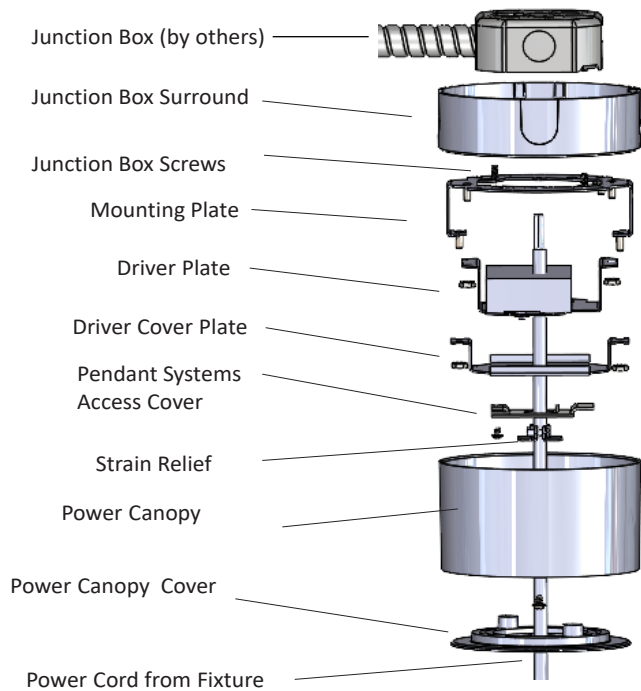




## MOUNTING DIAGRAM DETAILS

### Surface Mount Ceiling Detail with Power Canopy and Power Cord

Ordering Code: PRS - Power Round Surface



### Surface Mount Ceiling Detail with Power Canopy and Stem

Ordering Code: PRS - Power Round Canopy

