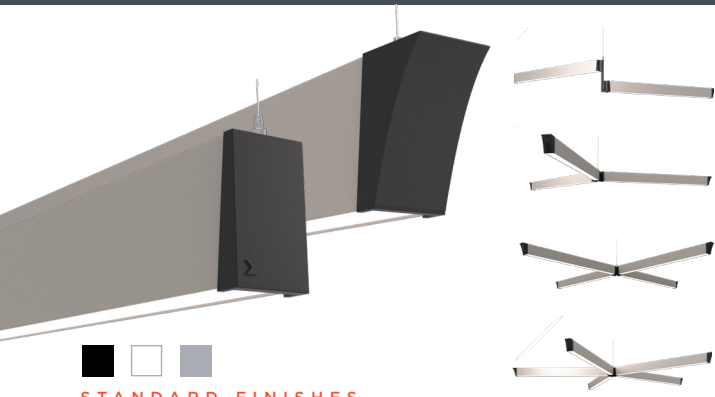
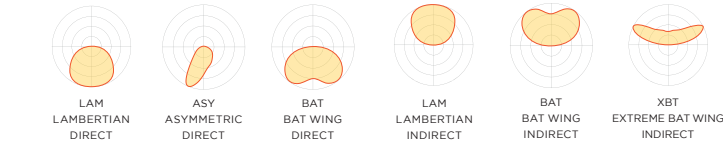


THE LNXX 2.0 PENDANT DIRECT/INDIRECT

U.S. Patent No. US 11,112,101

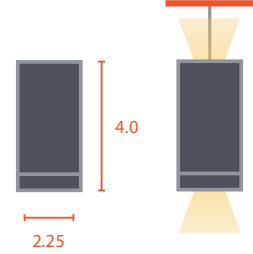


STANDARD FINISHES
Black, White, & Silver



DIRECT LIGHT	UP TO 126 lm/W PERFORMANCE				WATTS PER FOOT
	INDIRECT LIGHT				
	375 lm/ft	500 lm/ft	750 lm/ft	1000 lm/ft	
375 lm/ft	6.28	7.10	9.00	11.03	
500 lm/ft	7.45	8.30	10.20	12.20	
750 lm/ft	9.93	10.75	12.65	12.68	
1000 lm/ft	12.45	13.28	15.18	17.20	

Performance based on 4-foot luminaire at 4.000K @ 25-degrees C



LIGHT LOSS FACTOR		
CCT	CRI	%
4000K	84+	100%
3500K	84+	97.1%
3000K	84+	95.7%
2700K	84+	94.1%
4000K	92+	88.9%
3500K	92+	85.5%
3000K	92+	83.8%
2700K	92+	82.4%



ORDER GUIDE

LNXX 20-P-DI																		
A	B	C	D	E	F	G	H	I	J	K	L	M	N	O	P	Q	R	

EXAMPLE LNXX20-P-DI 1000 500 6 40K 8 1 UNV S1 W FE B 9C 105 WC WF (Multiple Selections)

A. MODEL	B. DIRECT OPTICS	C. DIRECT DISTRIBUTION	D. INDIRECT OPTICS	E. INDIRECT DISTRIBUTION	F. LENGTH	G. COLOR	TEMPERA-	
LNXX 20-P-DI	LAM Lambertian ASY Asymmetric BAT Bat Wing	375 500 750 1000 XXX	LAM Lambertian BAT Bat Wing XBT Extreme Bat Wing	375 500 750 1000 XXX	375 lm/ft 500 lm/ft 750 lm/ft 1000 lm/ft Custom lm/ft	3 4 5 6 7 8 XXX PIV XXX CEN XXX (PIV XXX)+(CEN XXX)	3 ft (36 in) 4 ft (48 in) 5 ft (60 in) 6 ft (72 in) 7 ft (84 in) 8 ft (96 in) System Run Pattern Pattern Pattern	27K 2700K 30K 3000K 35K 3500K 40K 4000K WCT White Color Tuning 2700K - 6500K

NOTES
Asymmetric direction is determined by lens position. Field adjustable for right or left throw.
Consult factory for outputs between min and max.
Consult factory for outputs between min and max.
Refer to Pattern configuration guide below for nomenclature. Please see Pattern Guide on p.2 for further details.
WCT - max lm/ft is 1000 based on 80 CRI and 4000K. Other CCT's are available consult factory.

H. CRI	I. CIRCUIT	J. VOLTAGE	K. DRIVER	L. HOUSING FINISH	M. END CAPS	N. END CAP FINISH	
8 80+CRI 9 90+CRI	1 1-Circuit 2 2-Circuit	UNV 120- 277v 347 347v	S1 1% Dimming (0-10v) LDE1 Lutron Hi-Lume 1% Fade to Black ELO 0.1% EldoLED DXL 1% Dexal	DXL2 Dexal 2-Chanel DALI DALI 2.0 Compatible PSQ Lutron T Series	W White B Black S Silver CC Custom Colors	FE Flat End Cap SE Sculpted End Cap AE Adjustable End Cap	W White B Black S Silver CC Custom Colors

90 CRI option has an R9 value greater than 60. 347 may not be available in all configurations. AWRN-W, AWRN-B, VDO, VRF, SPD, & CLM options supplied with DXL driver standard. Consult factory for custom colors. (power feeds and canopies excluded) Adjustable end cap (AE) is the only selection for closed patterns. Consult factory for custom colors. (power feeds and canopies excluded)

OPTIONS

O. MOUNTING	P. SUSPENSION LENGTH	Q. POWER FEEDS & CANOPIES	R. CONTROLS & FACTORY OPTIONS
9C 9/16 in Tee Clip 15C 15/16 in Tee Clip SC Screw Slot Tee Clip HC Hard Ceiling	24 24 in 42 42 in 102 102 in 150 150 in	WF White Power Feed BF Black Power Feed SF Silver Power Feed WC White Canopy BC Black Canopy SC Silver Canopy	<ul style="list-style-type: none"> NONE Leave Blank AWNR-W Lutron Athena Wireless Node (RF-only) in White AWNR-B Lutron Athena Wireless Node (RF-only) in Black VDO Lutron Vive (RF/Daylight/Occ) VRF Lutron Vive RF Fixture Control SPD Osram SensiLUM Daylight/Harvest/Occ CLM Osram Connecting Light Module (CLM) Wattstopper Daylight Sensor (FD-301) DAY Wattstopper Occ Sensor (FS-205v2) DOC Enlighted Daylight/Harvesting Occ (SU-5E-01) EB Emergency Battery (10-Watt) EC Emergency Circuit NL Night Light Circuit SLP Slope Ceiling

Each individual suspension length is adjustable. Select feed and canopy choice. AWRN-W, AWRN-B, VDO, VRF, SPD, & CLM options supplied with DXL driver standard. EB option only available for lengths 5ft or greater. May choose more than one option in this category.

LIGHT SOURCE

Long life name brand LED chips and boards to ensure the highest of quality while providing even and smooth illumination throughout our luminaires.

Our luminaires are available in 2700K, 3000K, 3500K and 4000K color temperature as well as White Color Tuning (2700-6500K).

Optional 80CRI or 90CRI available in all CCT options.

LUMEN MAINTENANCE

The projected lumen maintenance of the name brand mid-powered LED's are projected to maintain 80% (L80) of their initial output for +80,000 hours.

CONSTRUCTION

The housings are constructed of (6063T5) extruded aluminum. Our internal joiner system is designed to the highest of standards to ensure our precision cut housings align and fit tightly without light leak. Our precision fitting end caps are constructed out of die cast aluminum and our steel reflectors are painted white.

FINISH

Polyester powder, low gloss textured paint finish applied after a multi-stage pretreatment. Standard luminaire finishes include white, silver, and black. Custom color options are available. (Consult Factory).

OPTICS

Snap in extruded frosted acrylic lens

DRIVERS

All of our luminaires come standard with 1% dimming and THD <20% utilizing 0-10v constant current protocol. 120v/277v is standard with the option of 347v. Driver ambient operating temperature -30°C to +50°C.

EMERGENCY

An integral factory installed 10 watt emergency battery pack. Emergency circuit and Night Light circuit options are available.

LUMINAIRE LENGTH

Our LNXX 2.0 Pendant Direct/Indirect luminaire series are available in 3', 4', 5', 6', 7' and 8' individual lengths or continuous row configurations. Continuous row configurations are joined together on-site utilizing the joiner kits provided.

LUMINAIRE WEIGHT

The approximate weight of a four foot luminaire is 12 lbs Including end caps assembled.

PATTERN GUIDE

V. Pivot		W. PIVOT CONNECTOR		X. PATTERN DIMENSIONS	Y. PIVOT FINISH		Z. PATTERN ORIENTATION
Pivot	PIV	<i>PIVOT</i>		AxB	W	White	Custom Pattern - Sketch or Drawing Always Required
		2L	2 Link	AxBxC	B	Black	
		3L	3 Link	AxBxCxD	S	Silver	
		4L	4 Link	AxBxCxDxE	CC	Custom Color	
		5L	5 Link	Total Footage			
		ELV8	8" Elevation Change				
		ELV12	12" Elevation Change				
		ELV16	16" Elevation Change	<i>Run Lengths</i>			
		ELV20	20" Elevation Change				
		ELV24	24" Elevation Change				
		ELV28	28" Elevation Change				
		ELV32	32" Elevation Change				
		ELV36	36" Elevation Change				
		ML(#)	Multiple Links				
		MELV(#)	Multiple Elevation Changes				

PATTERN GUIDE

V. Centro		W. CENTRO CONNECTOR		X. PATTERN DIMENSIONS	Y. CENTRO FINISH		Z. PATTERN ORIENTATION
Centro	CEN	C-135L	135 Degree 2 Link	AxB	W	White	Custom Pattern - Sketch or Drawing Always Required
		C-120L	120 Degree 2 Link	AxBxC	B	Black	
		C-90L	90 Degree 2 Link	AxBxCxD	S	Silver	
		C-90T	90 Degree 3 Link	AxBxCxDxE	CC	Custom Color	
		C-90X	90 Degree 4 Link	Total Footage			
		C-120Y	120 Degree 3 Link				
		C-135Y	135 Degree 3 Link	<i>Run Lengths</i>			



STANDARD SINGLE LENGTH PIVOT PATTERN EXAMPLES

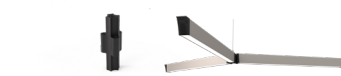


Adjustable 2 arm pivot connector.

PIV	2L	4X4	B	C
V	W	X	Y	Z

F

Above code gets entered in "F" LENGTH field of ordering guide.



Adjustable 3 arm pivot connector.

PIV	3L	4X4X4	B	C
V	W	X	Y	Z

F

Above code gets entered in "F" LENGTH field of ordering guide.



Adjustable 4 arm pivot connector.

PIV	4L	4X4X4X4	B	C
V	W	X	Y	Z

F

Above code gets entered in "F" LENGTH field of ordering guide.



Adjustable 5 arm pivot connector.

PIV	5L	3X3X3X3X3	B	C
V	W	X	Y	Z

F

Above code gets entered in "F" LENGTH field of ordering guide.



Adjustable elevator pivot connector.

PIV	ELV12	4X4	B	C
V	W	X	Y	Z

F

Above code gets entered in "F" LENGTH field of ordering guide.

NOTES

More detailed example on page 6

Customer to provide a drawing for all patterns with more than (1) pivot connector

CUSTOM LENGTH PATTERN EXAMPLES



PIV	ML(9)	MELV(6)	76	B	C
V	W	X	Y	Z	

F

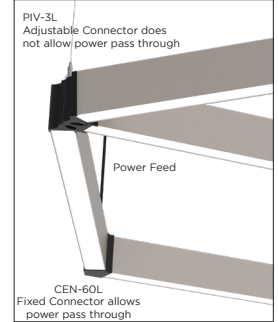


PIV+CEN	ML(3)	CEN-60L(3)	24	B	C
V	W	X	Y	Z	

F

Above code using both Pivot and Centro connection points

PIV-3L



STANDARD SINGLE LENGTH FIXED CENTRO HUB PATTERN EXAMPLES



135L Centro Hub Fixed connector.

CEN	C-135L	4X4	B	C
V	W	X	Y	Z

F

Above code gets entered in "F" LENGTH field of ordering guide.



120L Centro Hub Fixed connector.

CEN	C-120L	4X4	B	C
V	W	X	Y	Z

F

Above code gets entered in "F" LENGTH field of ordering guide.



90L Centro Hub Fixed connector.

CEN	C-90L	4X4	B	C
V	W	X	Y	Z

F

Above code gets entered in "F" LENGTH field of ordering guide.



90T Centro Hub Fixed connector.

CEN	C-90T	3X3X3	B	C
V	W	X	Y	Z

F

Above code gets entered in "F" LENGTH field of ordering guide.



90X Centro Hub Fixed connector.

CEN	C-90X	4X4X4X4	B	C
V	W	X	Y	Z

F

Above code gets entered in "F" LENGTH field of ordering guide.



120Y Centro Hub Fixed connector.

CEN	C-120Y	4X4X4	B	C
V	W	X	Y	Z

F

Above code gets entered in "F" LENGTH field of ordering guide.



135Y Centro Hub Fixed connector.

CEN	C-135Y	3X3X3	B	C
V	W	X	Y	Z

F

Above code gets entered in "F" LENGTH field of ordering guide.



U.S. Patent No. US 11,112,101

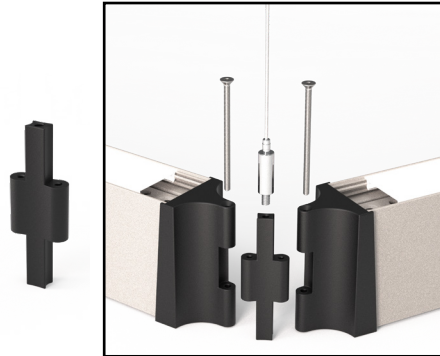
LNXX PIVOT CONNECTORS

Adjustable non-illuminated, pivot connectors allow for in-the-field adjustments from 60 - 240° in the field.

(AE)
Adjustable end cap



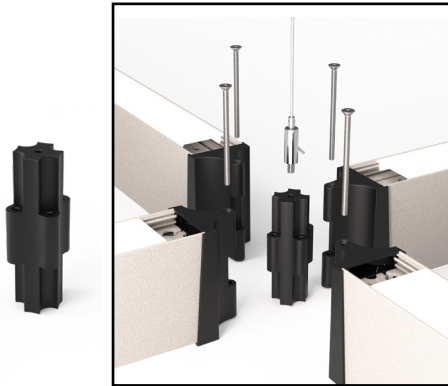
(PIV-2L)
Adjustable 2 arm pivot connector.



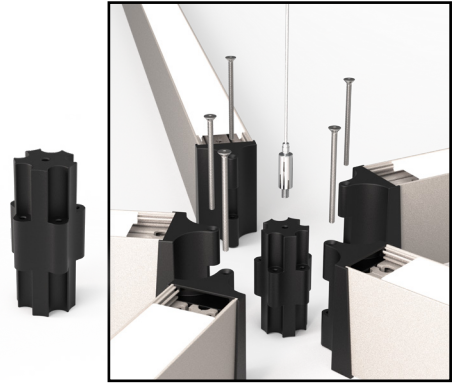
(PIV-3L)
Adjustable 3 arm pivot connector.



(PIV-4L)
Adjustable 4 arm pivot connector.

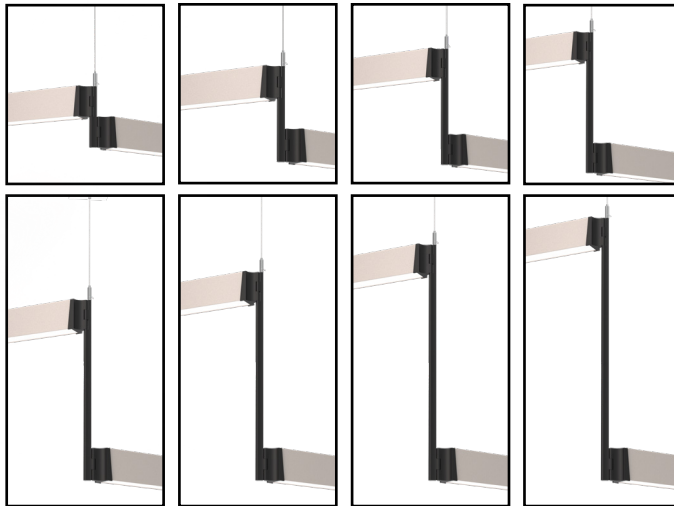


(PIV-5L)
Adjustable 5 arm pivot connector.



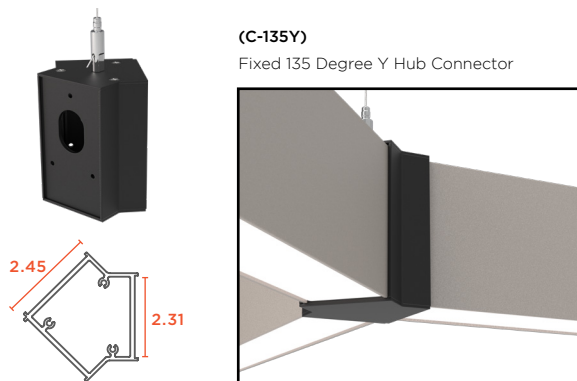
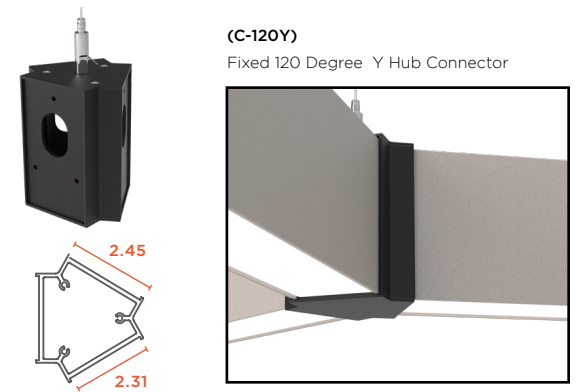
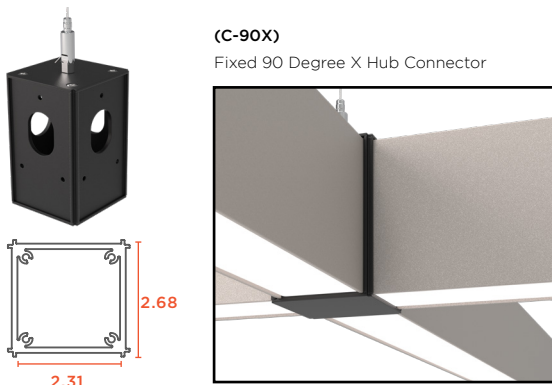
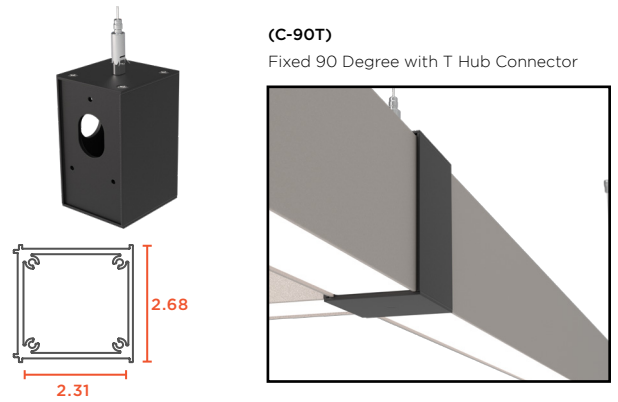
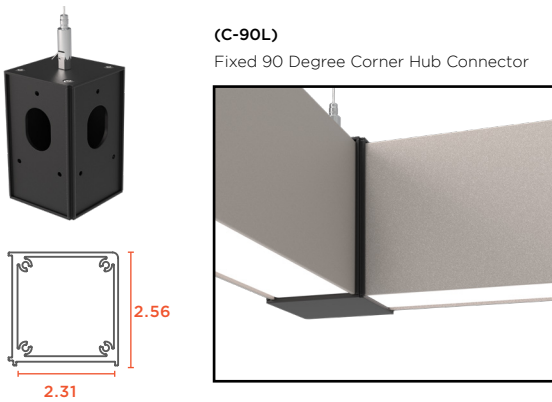
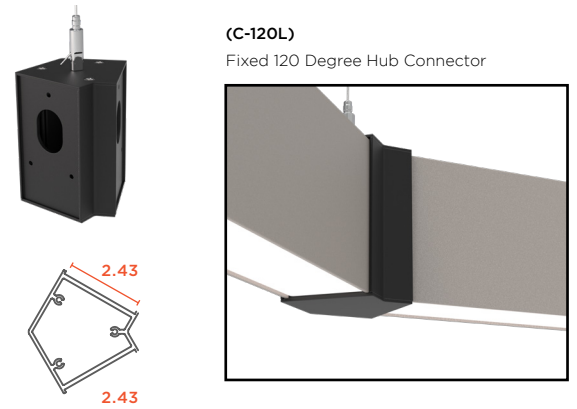
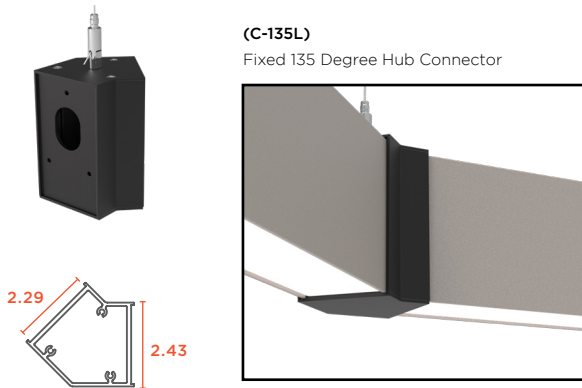
(PIV-ELV (Length))
Adjustable Elevator arm pivot connector.

Available in 8", 12", 16", 20", 24", 28", 32", and 36".



CENTRO HUB CONNECTORS

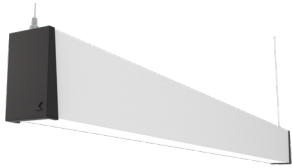
Fixed non-illuminated, connectors allow for power pass through.



STANDARD FINISHES

The LNXX 2.0 enhances the aesthetic of any space through flexible color combinations. Choose a white, black or silver housing with 1 of 4 standard end cap colors. Custom colors are also available upon request.

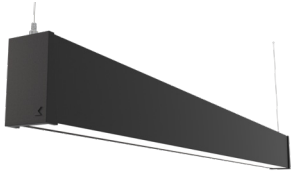
COLOR HOUSING COMBINATIONS



WHITE
Shown with White Housing, Black End Cap and Silver Cleat

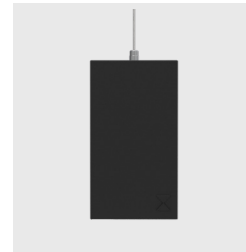
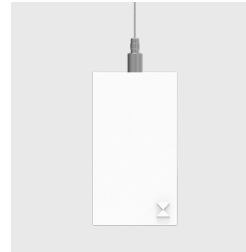


SILVER
Shown with Silver Housing, Silver End Cap and Silver Cleat

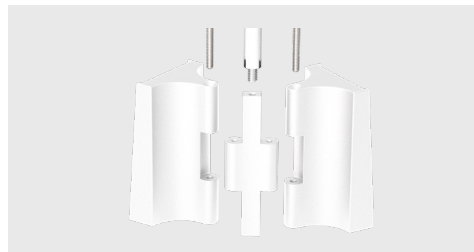


BLACK
Shown with Black Housing, Black End Cap and Silver Cleat

END CAP COLORS



PIVOT CONNECTION COLORS



END CAP OPTIONS



(FE) FLAT END CAP



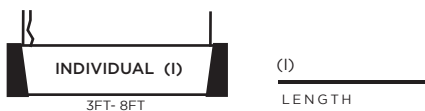
(SE) SCULPTED END CAP



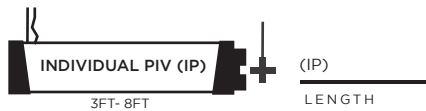
(AE) ADJUSTABLE END CAP

U.S. Patent No. US 11,112,101

CUSTOM PIVOT KEY

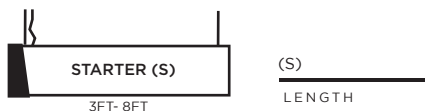


COMES WITH:
(2) Suspension Cable and (1) Power Feed

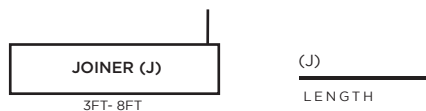


COMES WITH:
(1) Suspension Cable and (1) Power Feed
Secondary suspension comes with pivot connector.

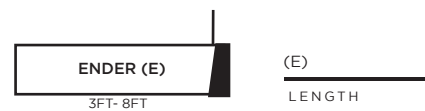
CUSTOM PIVOT KEY EXAMPLE



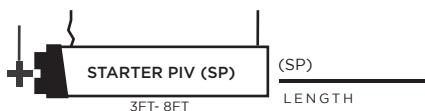
COMES WITH:
(2) Suspension Cables and (1) Power Feed



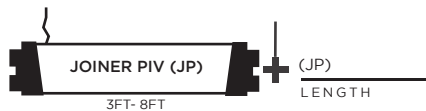
COMES WITH:
(1) Suspension Cable



COMES WITH:
(1) Suspension Cable



COMES WITH:
(1) Suspension Cable and (1) Power Feed
Secondary suspension comes with pivot connector.

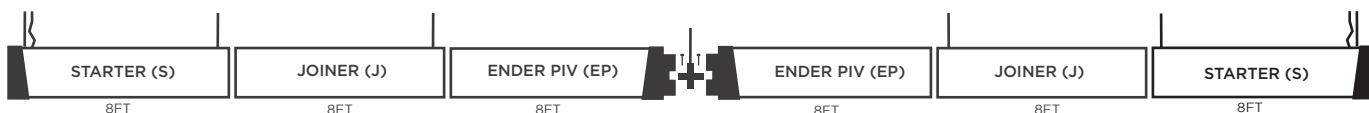


COMES WITH:
(1) Power Feed
Suspension points are on pivot connectors.



Suspension point is on pivot connector.

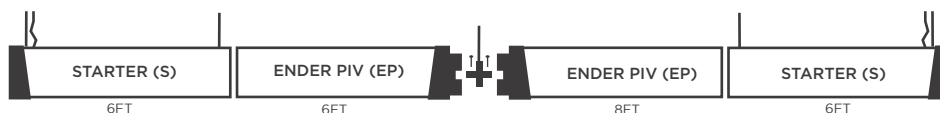
CUSTOM PIVOT EXAMPLE



Adjustable 2 arm pivot connector.

PIV	2L	24X24	B	C
V	W	X	Y	Z

Above code gets entered in "F" LENGTH field of ordering guide.



Adjustable 2 arm pivot connector.

PIV	2L	12X14	B	C
V	W	X	Y	Z

Above code gets entered in "F" LENGTH field of ordering guide.



U.S. Patent No. US 11,112,101

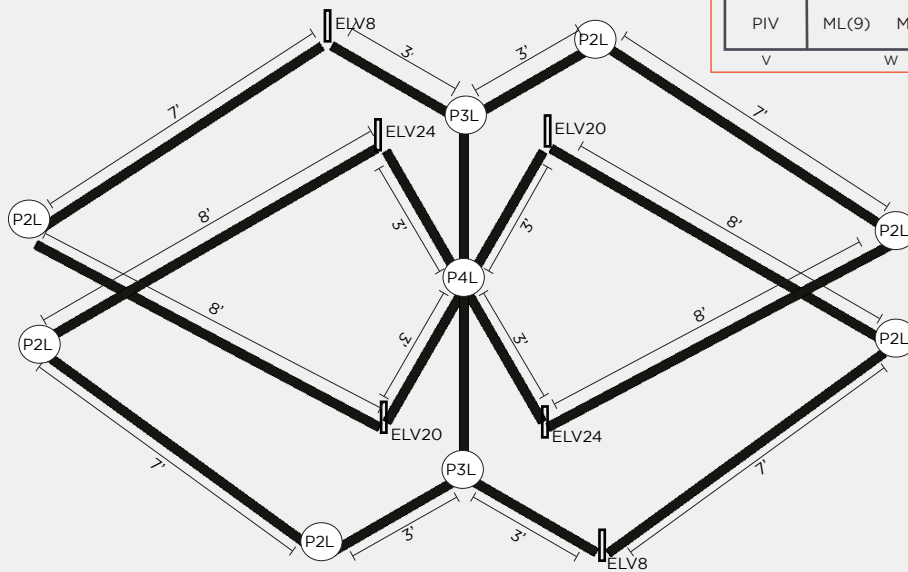
SKETCH CUSTOM PATTERN & DIMENSIONS

Include a simple sketch to illustrate your projects scope.
Use the key provided to identify length of arms, runs and connectors.
(Does not need to be to same scale).

3' Arm | 4' Arm | 5' Arm | 6' Arm | 7' Arm | 8' Arm

(P2L) 2 Arm Connector
 (P3L) 3 Arm Connector
 (P4L) 4 Arm Connector
 (P5L) 5 Arm Connector
 ■ Flat Endcap
 ▽ Sculpted Endcap
 || ELV (Height X)
 Elevation Heights 8", 12", 16", 20", 24", 28", 32", 36" Connector

CUSTOM DESIGN EXAMPLE



DESIGN RENDER

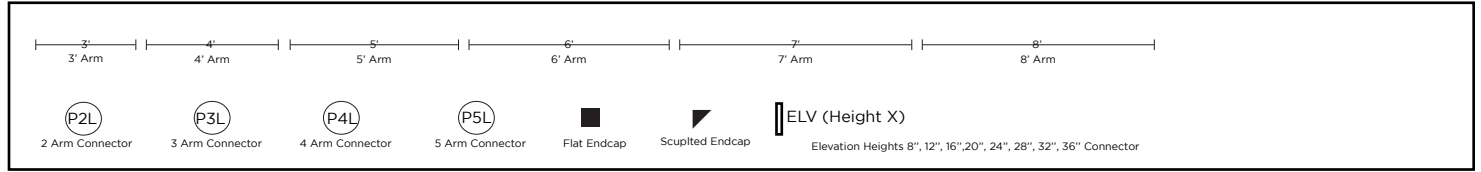


SKETCH CUSTOM PATTERN & DIMENSIONS

Include a simple sketch to illustrate your projects scope.

Use the key provided to identify length of arms, runs and connectors.

(Does not need to be to same scale).



YOUR SKETCH



CONTINUOUS RUN ORDER GUIDES

Please use the following run guides for fixture ordering. If your product will require a submittal, our in-house Application Engineering Team will work closely with you on your project.

ALUMINUM PRODUCT ORDER GUIDE	
RUN LENGTH (ft)	RUN CONFIGURATION - SECTION LENGTHS
9	6' + 3'
10	6' + 4'
11	6' + 5'
12	6' + 6'
13	6' + 7'
14	8' + 6'
15	8' + 7'
16	8' + 8'
17	6' + 5' + 6'
18	6' + 6' + 6'
19	6' + 7' + 6'
20	8' + 4' + 8'
21	8' + 5' + 8'
22	8' + 6' + 8'
23	8' + 7' + 8'
24	8' + 8' + 8'
25	5' + 8' + 8' + 4'
26	4' + 6' + 6' + 6' + 4'
27	6' + 8' + 8' + 5'
28	6' + 8' + 8' + 6'
29	7' + 8' + 8' + 6'

*Standard Run Configurations Shown, Consult Factory for Custom Configurations.

ALUMINUM PRODUCT ORDER GUIDE	
RUN LENGTH (ft)	RUN CONFIGURATION - SECTION LENGTHS
30	6' + 6' + 6' + 6' + 6'
31	6' + 6' + 7' + 6' + 6'
32	8' + 8' + 8' + 8'
33	5' + 8' + 8' + 8' + 4'
34	6' + 8' + 8' + 8' + 4'
35	6' + 8' + 8' + 8' + 5'
36	6' + 8' + 8' + 8' + 6'
37	8' + 8' + 5' + 8' + 8'
38	8' + 8' + 6' + 8' + 8'
39	8' + 8' + 7' + 8' + 8'
40	8' + 8' + 8' + 8' + 8'
41	5' + 8' + 8' + 8' + 8' + 4'
42	6' + 8' + 8' + 8' + 8' + 4'
43	6' + 8' + 8' + 8' + 8' + 5'
44	6' + 8' + 8' + 8' + 8' + 6'
45	7' + 8' + 8' + 8' + 8' + 6'
46	3' + 8' + 8' + 8' + 8' + 8' + 3'
47	4' + 8' + 8' + 8' + 8' + 8' + 3'
48	8' + 8' + 8' + 8' + 8' + 8'
49	5' + 8' + 8' + 8' + 8' + 8' + 4'
50	6' + 8' + 8' + 8' + 8' + 8' + 4'

*Standard Run Configurations Shown, Consult Factory for Custom Configurations.

