

LaYR 2.0 ROUND FIXED DOWNLIGHTS

PERFORMANCE Series (Up to 2000 Lumens)



Image Above Shown With Deep Smooth Black Baffle and Black Trim Ring

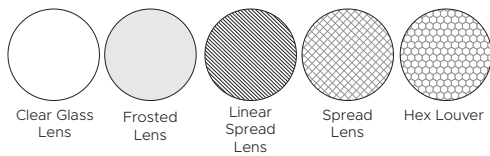


Image Above Shown With Deep Milli-Groove Black Baffle and Black Trim Ring

TRIM & BAFFLE FINISHES



ACCESSORIES

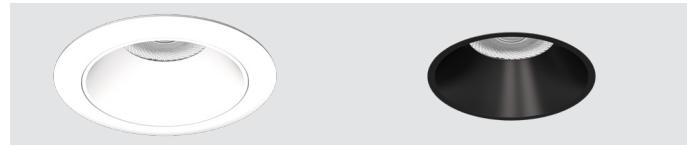


The LaYR 2.0 Round Fixed Performance downlight is a versatile lighting solution that can adapt to different lighting needs and style preferences. Its design includes a 2" aperture with round baffle, offering users 5 distinct optic options to adjust the beam spread. With a lumen output range of 500 to 2000 lumens, it can provide sufficient illumination for various purposes, such as accent lighting or general illumination.

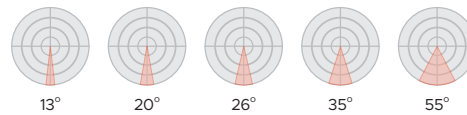
To add to its adaptability, the downlight can be further customized by choosing from a range of baffle and trim finishes, drivers, housings, and accessories. This customization allows users to create a unique downlight that fits their specific requirements and style preferences.

FLANGED TRIM

TRIMLESS



50mm Beam Optics:



SPECIFICATIONS

lm/W	127	
Lumen Output	500 - 2000lm	
Luminaire Height	4 15/16"	
Optic Size	50mm	
Beam Optics	13°, 20°, 26°, 35°, 55°	
Baffle Type	Deep Smooth Finish (Depth 1")	Cut Off Angle - 24° Shielding Angle - 60°
	Deep Milli-Groove (Depth 1")	Cut Off Angle - 24° Shielding Angle - 60°
Trim Type	Flange Trim, Trimless	
Baffle & Trim Finishes	White, Black, Satin Silver & Champagne	
CRI -80 (2-Step)	35K & 40K	
CRI - 90 (2-Step)	27K, 30K, 35K, 40K *90 CRI Option has an R9 Value Greater than 50	
Ceiling Thickness Range	(min) 3/8" - (max) 1 1/2"	
Hole Cut Size	3 3/8" (REM) - 3 1/2" (OF/IC)	
Accessories Options	Hex Louver, Frosted Lens, Linear Spread Lens, Spread Lens, Clear Lens	
Accessories Qty	Up to 2	
Drivers	0-10V, TRIAC, ELV, Lutron Ecosystem, DALI	
Dimming	1%, 5%, 0.1%	
Voltage	120-277 Volt	
Housing	Non-IC, IC Rated, Remodel	
Lumen Maintenance	80,000	
Power Factor	> .95	
THD	< 20kHz	
Approved Location	Dry/Damp/Wet	
Certifications	UL 1598/UL 2108 Listed US and Canada	

Specifications may change without notice.

LaYR 2.0 ROUND FIXED DOWNLIGHTS

PERFORMANCE Series (Up to 2000 Lumens)



Ordering Guide

HOUSING

LFXR2								
A	B	C	D	E	F	G	H	

LIGHT ENGINE & BAFFLE

FPR2								
I	J	K	L	M	N	O	P	

OPTIONS

NOTES:



Suitable for Damp locations.



Covered Ceiling Mount Only

HOUSING & DRIVER

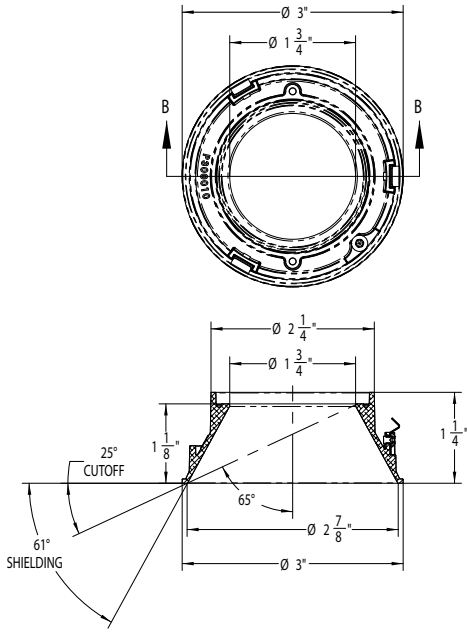
A. MODEL	B. TRIM	C. HOUSING STYLE	D. MOUNTING	E. LUMEN OUTPUT
LFXR2 Round Fixed 2in	FT Flange Trim SF Spackle Flange Trimless MW Millwork	OF Open Frame (Non-IC) (Rough-In Mounting Plate) w/ 5/8" Collar IC IC Rated Housing w/ 5/8" Collar CP Chicago Plenum RM Remodel (Non-IC)	SMB Standard Mounting Bars Min: 14.25" / Max: 26" ACB Adjustable Commercial Bar Hanger (Includes C-Channel Bracket and Heavy Duty Bar Hangers) Min: 11" / Max: 26.75" REM Remodel	500 500 lm, 5W 750 750 lm, 8W 1000 1000 lm, 10W 1250 1250 lm, 12W 1500 1500 lm, 15W 1750 1750 lm, 18W 2000 2000 lm, 22W
	RM housing Style and REM mounting required for Millwork	Additional ceiling collar depths available in (H) Options below OF and RM Non-IC rated cannot come in contact with insulation.	ACB must be selected at initial order	Narrow spot max is 1500 lm based on Baffle choice see cross reference below 1750 lm max for dual dim. Please see driver matrix for additional details
F. VOLTAGE	G. DRIVER	H. HOUSING OPTIONS (May choose multiple options below)		
UNV 120-277v	S1 1% Dimming (0 - 10v) DD Dual Dimming (2-wire dimming - Triac/ELV/Phase Cut - 5% Dimming) SAX 1% Dim with Aux PEQ Lutron, Hi-Lume Premier EcoSystem 0.1% Fade to Black ELO EldoLED 0.1% Dim to Dark driver DALI DALI 2.0 Compatible	NN NONE RD Remote Driver (Consult Factory) C1 1" Ceiling Depth Collar C5 1.5" Ceiling Depth Collar AWNR Lutron Athena Wireless Node (RF- only)		
	SAX Driver Code is required for the Athena Wireless Node 1750 lm max for dual dim.	AWNR Requires SAX Driver Code		

LIGHT ENGINE & BAFFLE

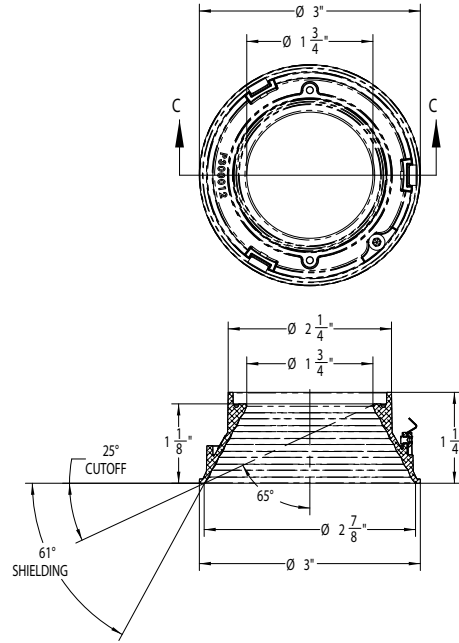
I. LIGHT ENGINE	J. BAFFLE TYPE	K. BEAM OPTICS	BAFFLE/BEAM ANGLE/ MAX LUMENS CROSS REFERENCE					
FPR2 Fixed Performance Round 2in	Flange Trim DSF Deep, Smooth Flanged DMF Deep, Milli-Groove Flanged Spackle Flange Trimless DSS Deep, Smooth Spackle DMS Deep, Milli-Groove Spackle	50mm Optic 13 Narrow Spot 13° 20 Spot 20° 26 Narrow Flood 26° 35 Flood 35° 55 Wide Flood 55°	BAFFLE TYPE	13°	20°	26°	35°	55°
			DSF	1250	2000	2000	2000	2000
			DMF	1250	2000	2000	2000	2000
			DSS	1250	2000	2000	2000	2000
			DMS	1250	2000	2000	2000	2000
			Note: Maximum Lumens based on 3500K 80CRI test values with no accessories. Beam angles do change with certain accessories					
L. BAFFLE FINISH	M. TRIM FINISH	N. CRI COLOR TEMP.	OPTIONS		OPTIONS			
WH White BK Black SS Satin Silver CG Champagne CC Custom Color	WH White BK Black SS Satin Silver CG Champagne CC Custom Color NN None (Required with spackle flange Only)	835 80 CRI; 3500K 840 80 CRI; 4000K 927 90 CRI; 2700K 930 90 CRI; 3000K 935 90 CRI; 3500K 940 90 CRI; 4000K *90 CRI Option has an R9 Value Greater than 50	O. ACCESSORIES HL Hex Louver CL Clear Glass FG Frosted Glass SG Striped Glass (Linear Spread) XG Check Glass (Spread)		P. FACTORY OPTIONS SSC Seismic Safety Cable WET Wet Location			
White Black Satin Silver Champagne	NN: Spackle Flange Trimless	All CCT are 2 Step MacAdam Ellipse	Other accessories may be available, consult factory.					

FIXTURE DIMENSIONS

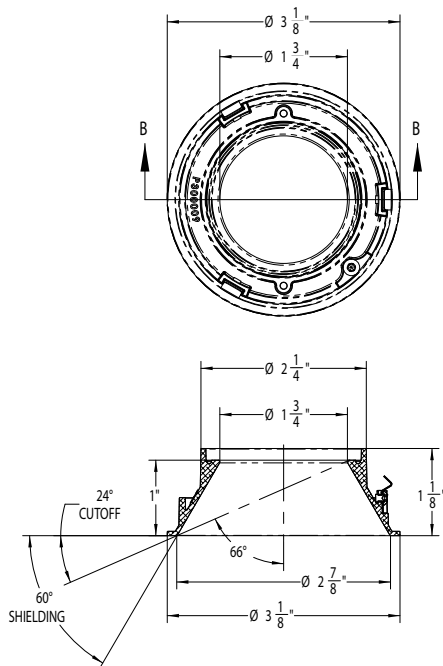
**Trim
Deep Smooth**



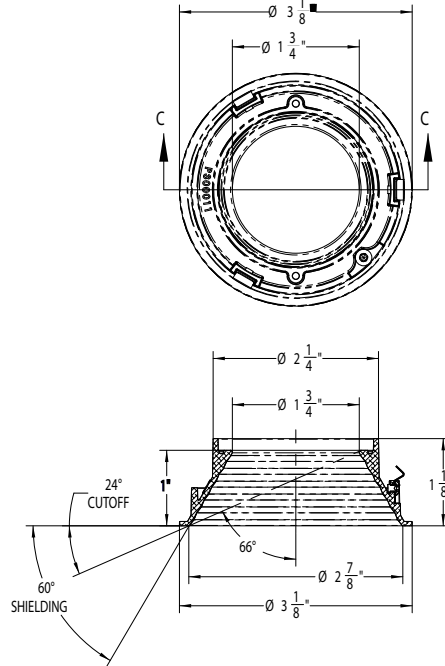
**Trim
Deep Milli-Groove**



**Trimless
Deep Smooth**

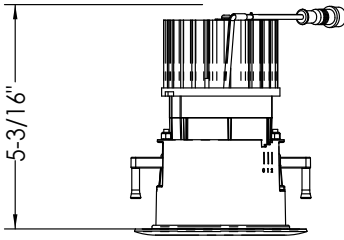


**Trimless
Deep Milli-Groove**



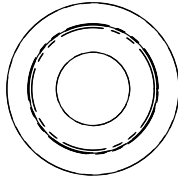
HEAT SINK DIMENSIONS

TRIM AND TRIMLESS



LFXR2
Up to 2000 Lumens

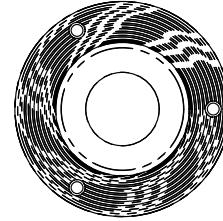
TRIM DIMENSIONS



TRIMLESS

CEILING CUTOUT
3-3/8" (REM) : 3-1/2 OF(IC)

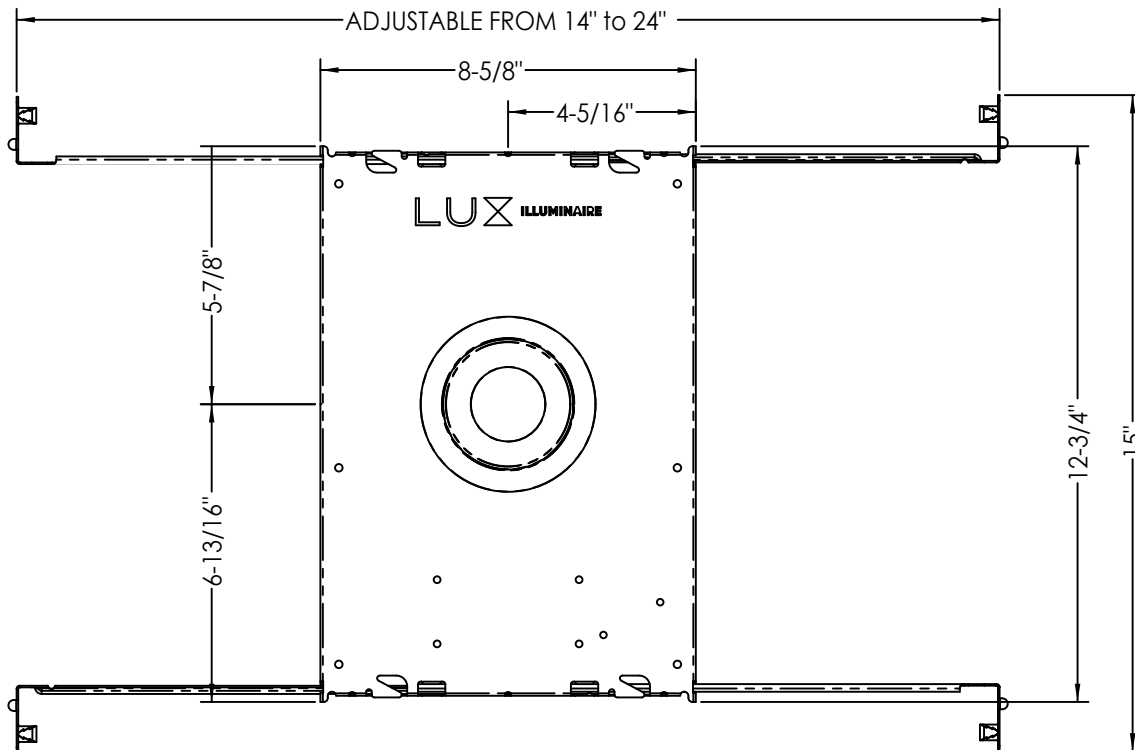
CEILING THICKNESS
(min) 3/8" - (max) 1-1/2"



FLANGE TRIM

CEILING CUTOUT
3-3/8" (REM) : 3-1/2 OF(IC)

CEILING THICKNESS
(min) 3/8" - (max) 1-1/2"

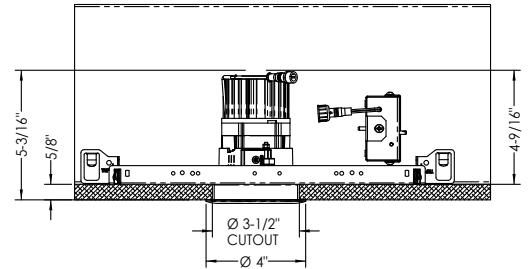
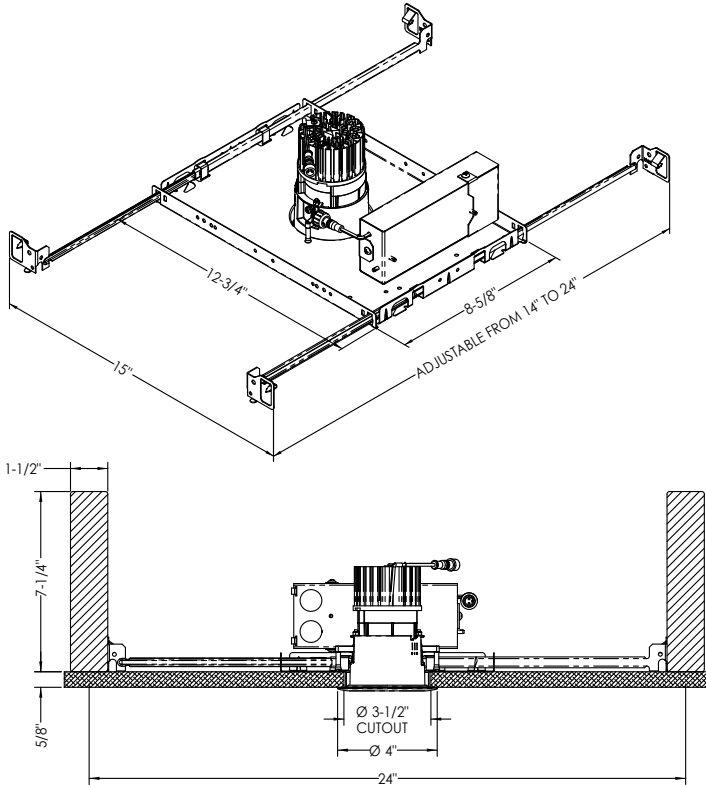


LaYR 2.0 ROUND FIXED DOWNLIGHTS

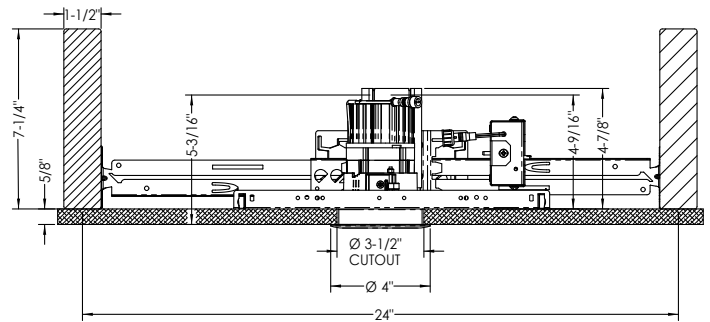
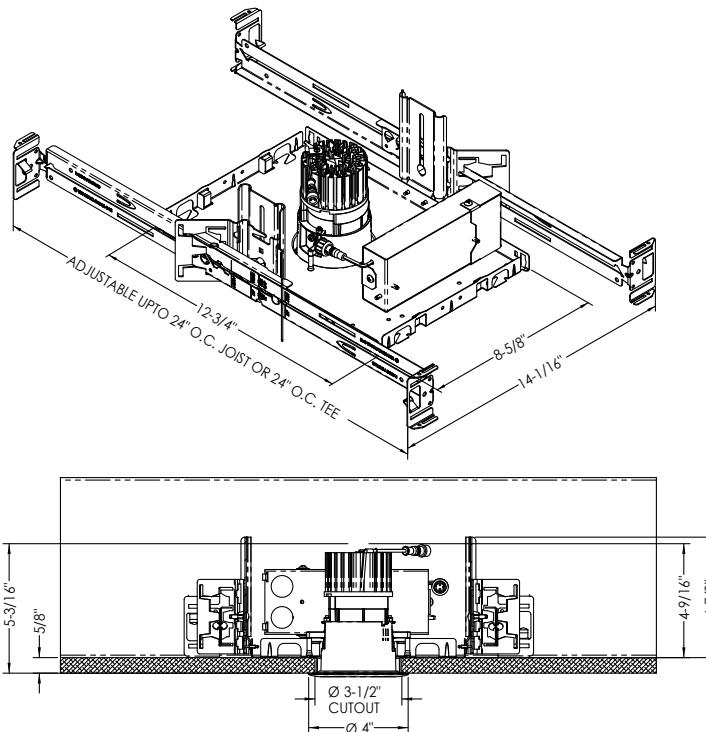
PERFORMANCE Series (Up to 2000 Lumens)

Open Frame

Standard Heat Sink with Standard Mounting Bars (SMB)

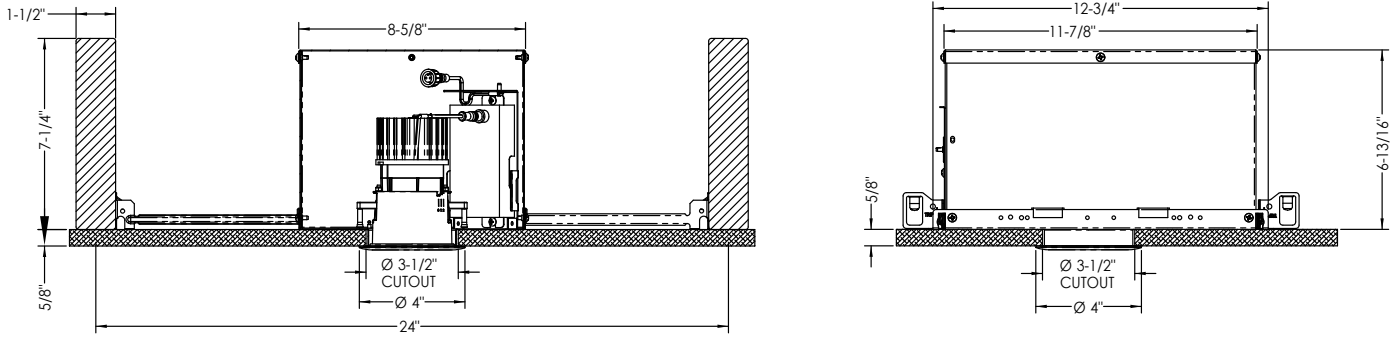


Standard Heat Sink with Adjustable Commercial Bar Hanger (ACB)

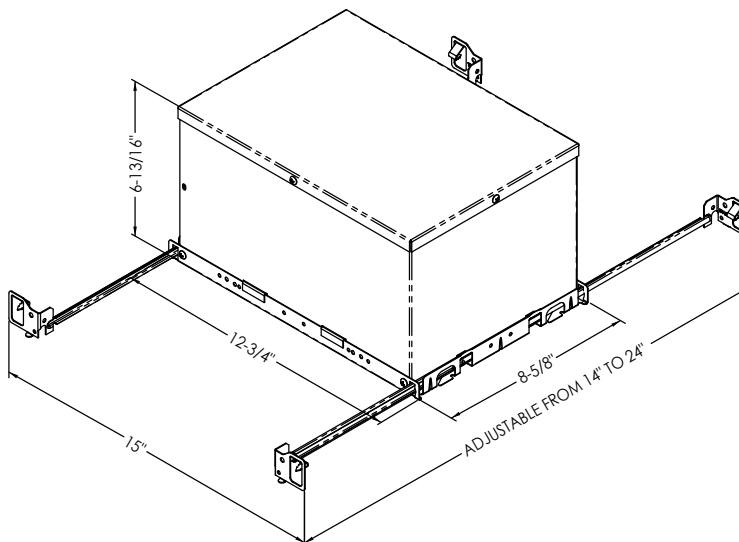
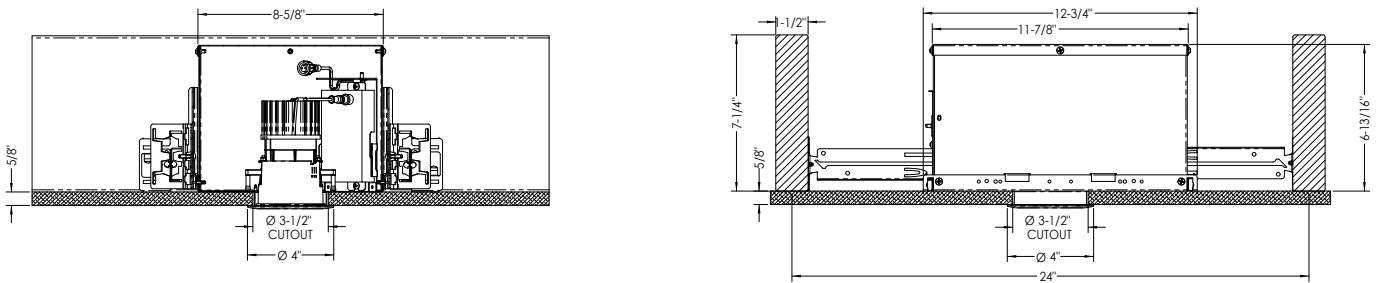


IC Frame

Standard Heat Sink with Standard Mounting Bars (SMB)



Standard Heat Sink with Adjustable Commercial Bar Hanger (ACB)

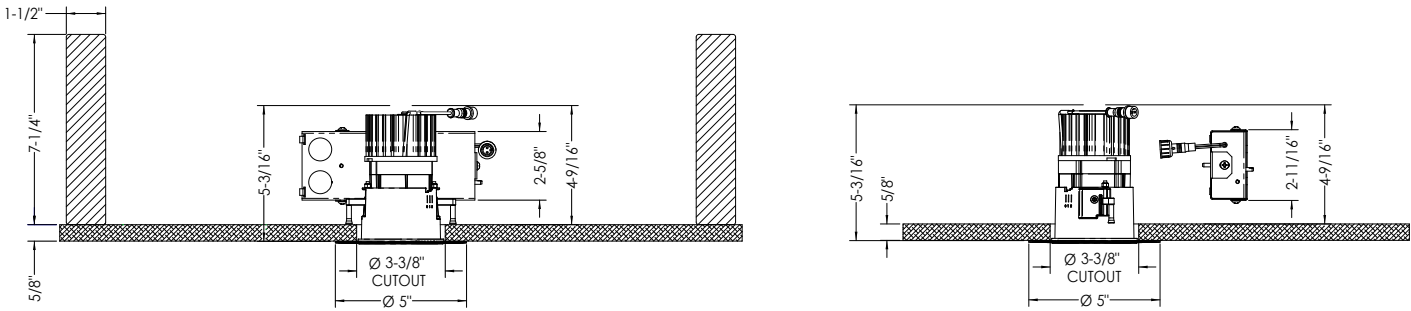


LaYR 2.0 ROUND FIXED DOWNLIGHTS

PERFORMANCE Series (Up to 2000 Lumens)



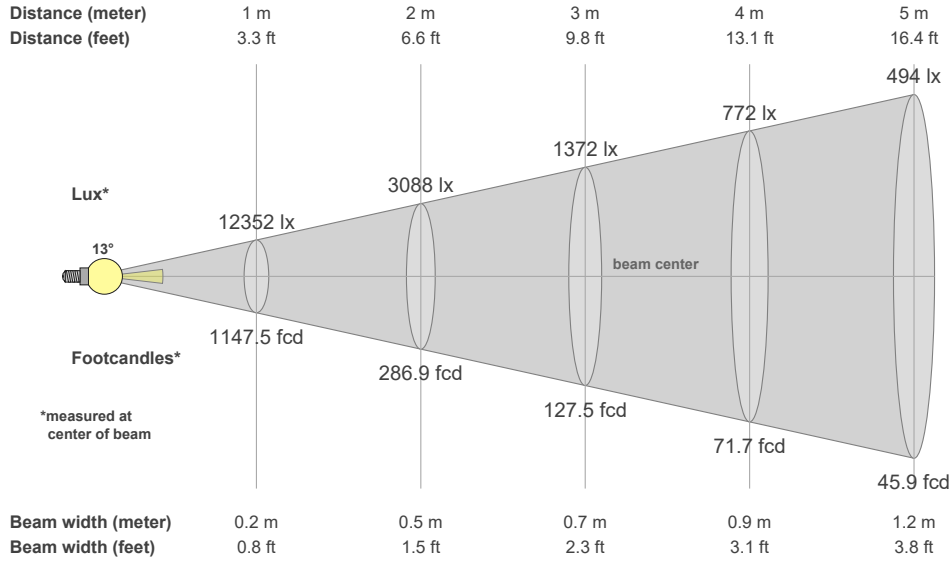
Remodel



LaYR 2.0 ROUND FIXED DOWNLIGHTS

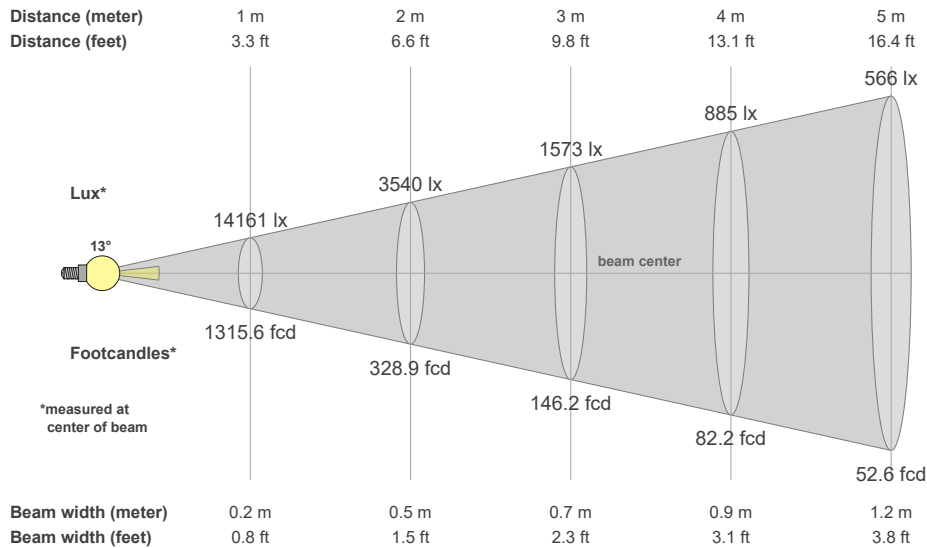
PERFORMANCE Series (Up to 2000 Lumens)

Beam: 13.3°	Peak: 12395 cd	CCT: 3500K	CRI: 82.0	Lumens: 1076	Watts: 12.8	LPW: 84
-------------	----------------	------------	-----------	--------------	-------------	---------



INTENSITY	
Degree	Candela
0	12352
5	8171
15	1226
25	169
35	61.0
45	19.3

Cat. No: LFXR2-xx-xx-xx-1250-UNV-S1-NN-FPR2-DSS-13-BK-NN-835						
Beam: 13.4°	Peak: 14190 cd	CCT: 3500K	CRI: 81.7	Lumens: 1247	Watts: 19.4	LPW: 64



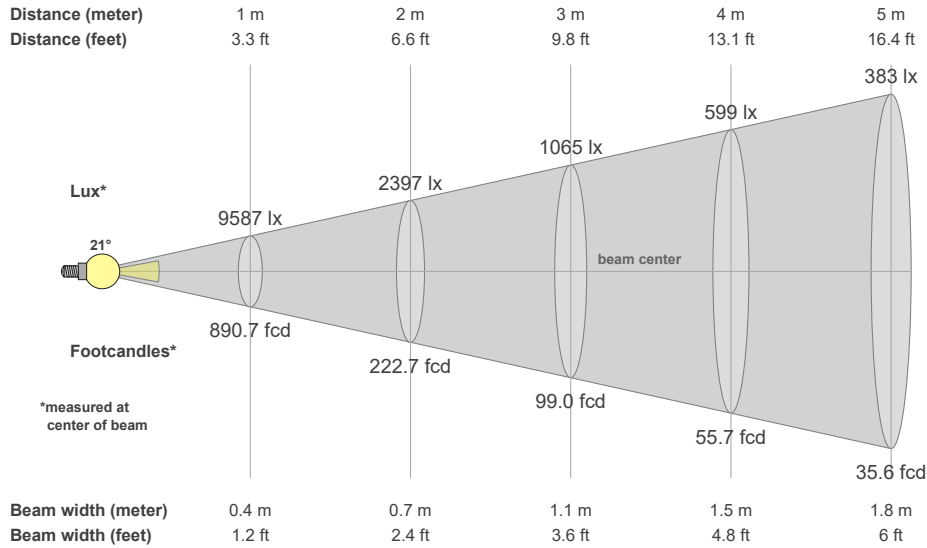
INTENSITY	
Degree	Candela
0	14161
5	9416
15	1428
25	197
35	70.7
45	23.9



LaYR 2.0 ROUND FIXED DOWNLIGHTS

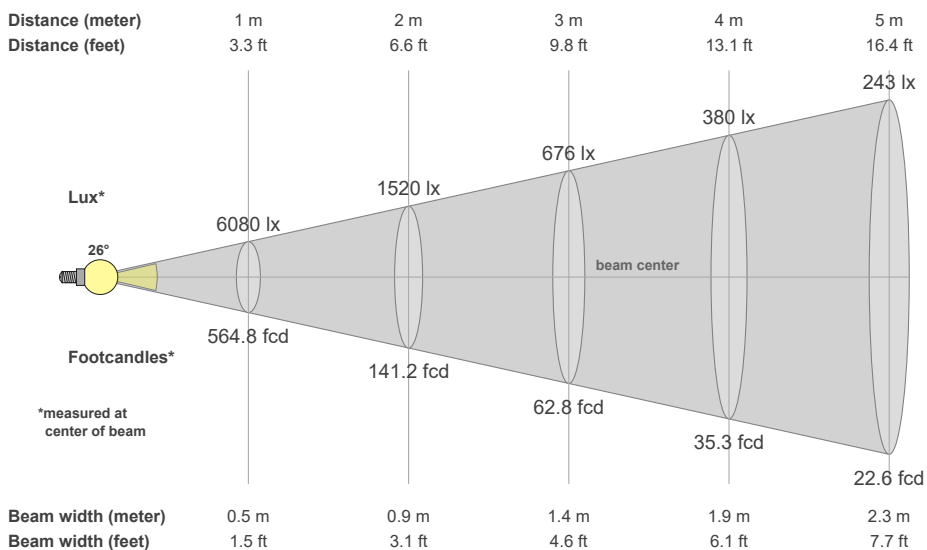
PERFORMANCE Series (Up to 2000 Lumens)

Cat. No: LFXR2-xx-xx-xx-1500-UNV-S1-NN-FPR2-DSS-20-BK-NN-835						
Beam: 20.6°	Peak: 9724 cd	CCT: 3500K	CRI: 84.5	Lumens: 1640	Watts: 14.9	LPW: 110



INTENSITY	
Degree	Candela
0	9587
5	8128
15	2442
25	416
35	96.2
45	30.9

Cat. No: LFXR2-xx-xx-xx-1500-UNV-S1-NN-FPR2-DSS-26-BK-NN-835						
Beam: 26.3°	Peak: 6229 cd	CCT: 3500K	CRI: 84.4	Lumens: 1593	Watts: 14.9	LPW: 107



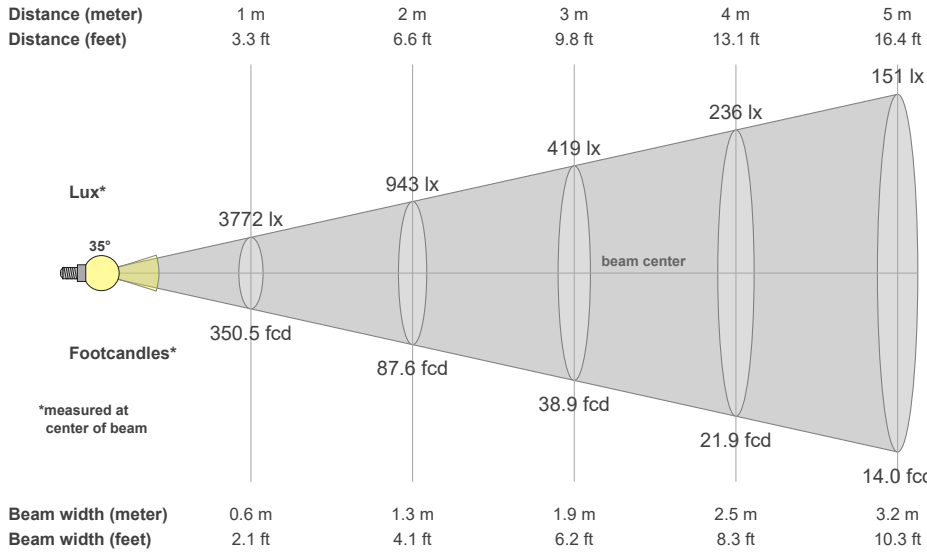
INTENSITY	
Degree	Candela
0	6080
5	5486
15	2635
25	674
35	126
45	30.9



LaYR 2.0 ROUND FIXED DOWNLIGHTS

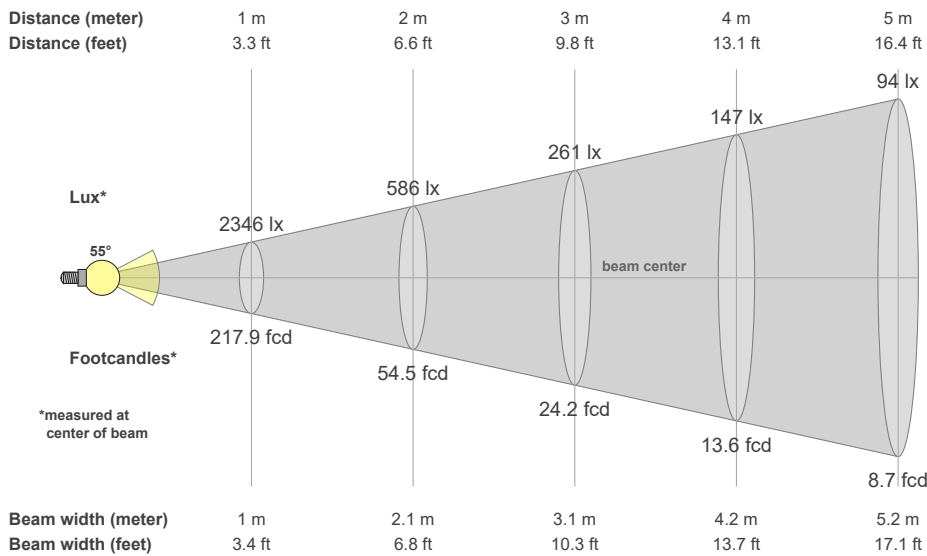
PERFORMANCE Series (Up to 2000 Lumens)

Cat. No: LFXR2-xx-xx-xx-1500-UNV-S1-NN-FPR2-DSS-35-BK-NN-835						
Beam: 35°	Peak: 3808 cd	CCT: 3500K	CRI: 84.4	Lumens: 1518	Watts: 14.8	LPW: 102



INTENSITY	
Degree	Candela
0	3772
5	3583
15	2282
25	873
35	193
45	41.2

Cat. No: LFXR2-xx-xx-xx-1500-UNV-S1-NN-FPR2-DSS-55-BK-NN-835						
Beam: 55.1°	Peak: 2373 cd	CCT: 3500K	CRI: 84.4	Lumens: 1730	Watts: 14.8	LPW: 117



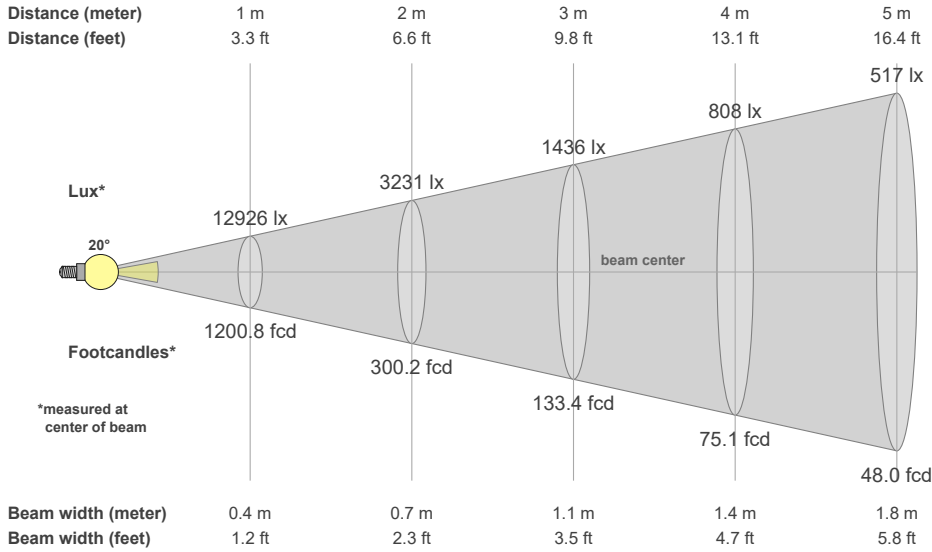
INTENSITY	
Degree	Candela
0	2346
5	2347
15	2000
25	1378
35	511
45	24.0



LaYR 2.0 ROUND FIXED DOWNLIGHTS

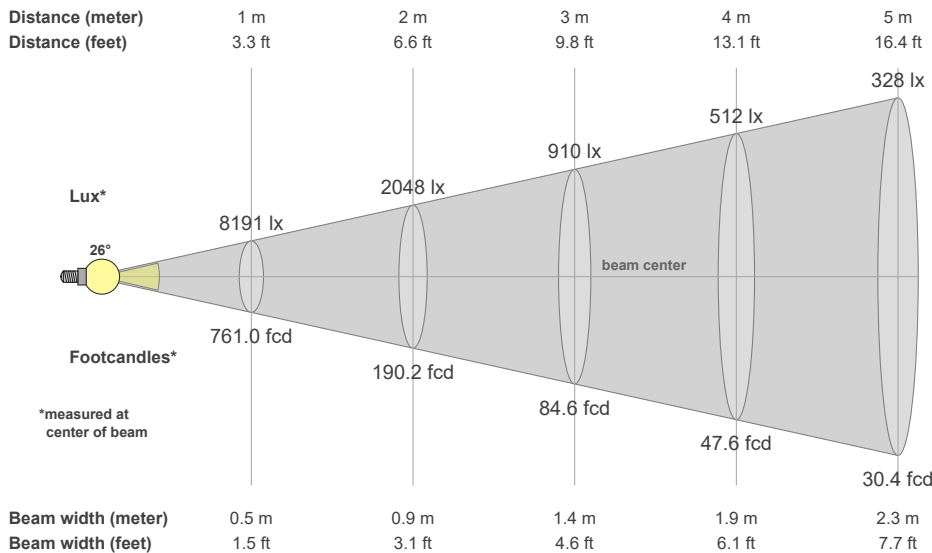
PERFORMANCE Series (Up to 2000 Lumens)

Cat. No: LFXR2-xx-xx-xx-2000-UNV-S1-NN-FPR2-DSS-20-BK-NN-835						
Beam: 20.1°	Peak: 13282 cd	CCT: 3500K	CRI: 84.2	Lumens: 2195	Watts: 21.8	LPW: 101



INTENSITY	
Degree	Candela
0	12926
5	10992
15	3208
25	538
35	129
45	42.2

Cat. No: LFXR2-xx-xx-xx-2000-UNV-S1-NN-FPR2-DSS-26-BK-NN-835						
Beam: 26.3°	Peak: 8368 cd	CCT: 3500K	CRI: 84.1	Lumens: 2142	Watts: 21.8	LPW: 98

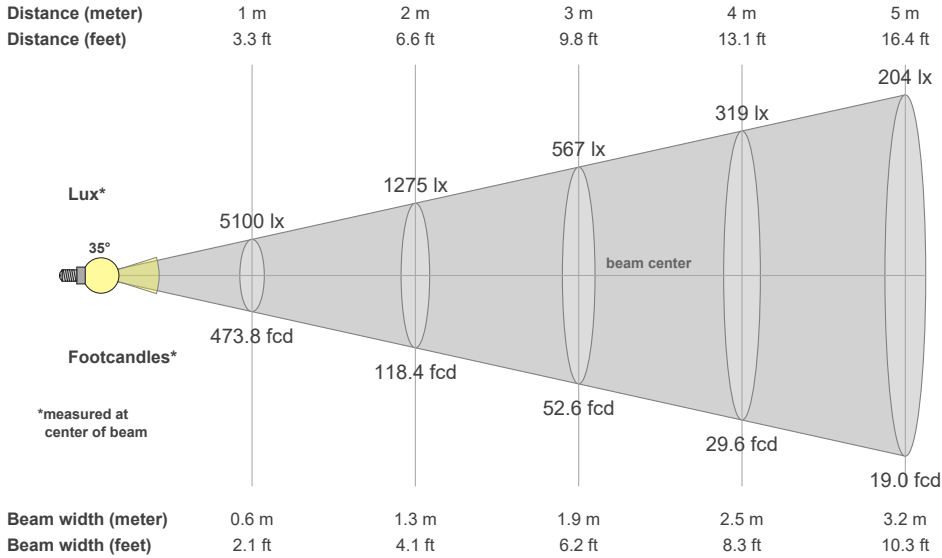


INTENSITY	
Degree	Candela
0	8191
5	7355
15	3537
25	923
35	172
45	42.6

LaYR 2.0 ROUND FIXED DOWNLIGHTS

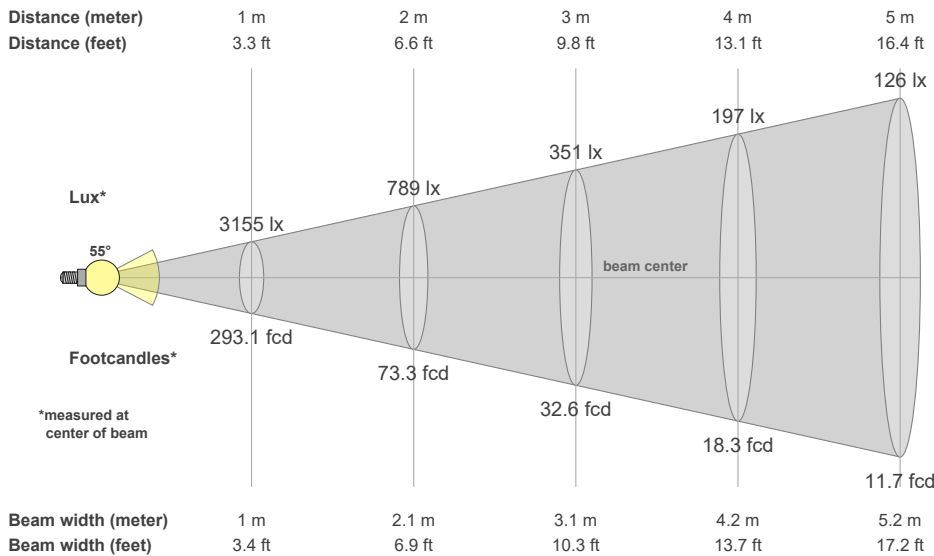
PERFORMANCE Series (Up to 2000 Lumens)

Cat. No: LFXR2-xx-xx-xx-2000-UNV-S1-NN-FPR2-DSS-35-BK-NN-835						
Beam: 35°	Peak: 5148 cd	CCT: 3500K	CRI: 84.1	Lumens: 2054	Watts: 21.8	LPW: 94



INTENSITY	
Degree	Candela
0	5100
5	4825
15	3087
25	1176
35	260
45	55.7

Cat. No: LFXR2-xx-xx-xx-2000-UNV-S1-NN-FPR2-DSS-55-BK-NN-835						
Beam: 55.2°	Peak: 3180 cd	CCT: 3500K	CRI: 84.2	Lumens: 2327	Watts: 21.8	LPW: 107



INTENSITY	
Degree	Candela
0	3155
5	3154
15	2683
25	1865
35	691
45	29.3

