

# LaYR 2.0 ROUND PENDANT PERFORMANCE Series



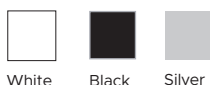
Image Above Shown With Performance Black Deep Milli-Groove Baffle, Black Upper & Lower Housing Finish, and Black Accent Reveal

Image Above Shown With Performance Black Deep Milli-Groove Baffle, Silver Upper & Lower Housing Finish, and Black Accent Reveal



Image Above Shown With Performance Black Deep Smooth Baffle, Black Upper & Lower Housing Finish, and Black Accent Reveal

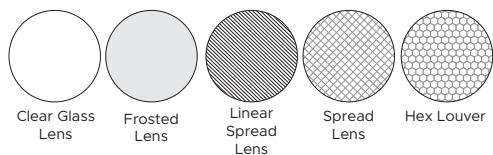
## PENDANT UPPER HOUSING FINISH, LOWER HOUSING FINISH & ACCENT REVEAL



## BAFFLE FINISHES



## ACCESSORIES



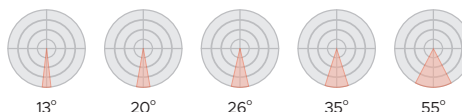
Suitable for Damp Locations.



Introducing the LaYR 2.0 Performance Round Pendant — a remarkably versatile lighting solution meticulously crafted to fulfill a wide range of needs and style preferences. With its ingenious design, this pendant offers unparalleled adaptability and customization options, including a variety of baffles and an architectural reveal, allowing you to create a truly unique lighting experience. With a sleek 2” aperture and adjustable beam spread, choose from five optic options to achieve the perfect lighting effect for any occasion. Delivering a lumen output range of 500 to 2000 lumens, this pendant ensures ample illumination for various purposes.

But that’s not all—further tailor the LaYR 2.0 Round Pendant to your specific requirements and aesthetic sensibilities. Select from a range of baffles, drivers, housing lengths, and accessories to create a one-of-a-kind pendant that perfectly complements your style. Embodying versatility, adaptability, and customization, the LaYR 2.0 Round Pendant is the ultimate lighting solution for those seeking both functionality and personalization. Unleash the transformative power of tailored brilliance and elevate your space to new heights.

### 50mm Beam Optics:



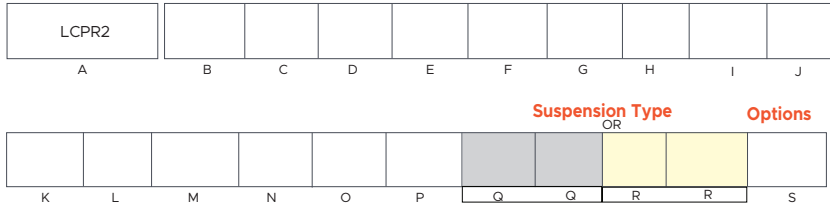
## SPECIFICATIONS

lm/W	Up To 127
Lumen Output	500 - 2000lm
Beam Optics	13°, 20°, 26°, 35°, 55°
Baffle Type	Deep Smooth Finish (Depth 1")
	Deep Milli-Groove (Depth 1")
Baffle & Trim Finishes	White, Black, Satin Silver & Champagne
CRI -80 (2-Step)	35K & 40K
CRI - 90 (2-Step)	27K, 30K, 35K, 40K *90 CRI Option has an R9 Value Greater than 50
Accessories Options	Hex Louver, Frosted Lens, Linear Spread Lens, Spread Lens, Clear Lens
Accessories Qty	One
Drivers	0-10V, TRIAC, ELV, Lutron Ecosystem, DALI
Dimming	1%, 5%, 0.1%
Voltage	120-277 Volt
Lumen Maintenance	80,000
Power Factor	> .95
THD	< 20kHz
Approved Location	Dry/Damp
Certifications	UL Listed

Specifications may change without notice.

## Ordering Guide

### Model Sequence



NOTES:



Suitable for Damp locations.



### PENDANT

A. MODEL	B. DISTRIBUTION	C. LUMINAIRE HEIGHT	D. UPPER FINISH	E. ACCENT REVEAL FINISH	F. LOWER FINISH
LCPR2 Round 2in Performance	D Direct	5 5 inch (driver is NOT integral) 9 9 inch (standard) 12 12 inch 18 18 inch xx Custom Height (96" Max see notes below)	WH White BK Black SV Silver CC Custom Color RAL # required	WH White BK Black SV Silver CC Custom Color RAL # required	WH White BK Black SV Silver CC Custom Color RAL # required

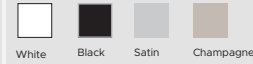
\*See Page 3 for Associated Data

Shortest overall height is 5"  
Heights less than 9" require either remote driver or power canopy.



G. LUMEN OUTPUT	H. BAFFLE TYPE	I. BEAM OPTICS	J. BAFFLE FINISH	K. OPTIC ACCESSORIES
500 500 lm, 5W 750 750 lm, 8W 1000 1000 lm, 10W 1250 1250 lm, 12W 1500 1500 lm, 15W 1750 1750 lm, 18W 2000 2000 lm, 22W	DSF Deep, Smooth DMF Deep, Milli-Groove	13 Narrow Spot 13° 20 Spot 20° 26 Narrow Flood 26° 35 Flood 35° 55 Wide Flood 55°	WH White BK Black SS Satin Silver CG Champagne CC Custom Color RAL # required	NN None HL Hex Louver CL Clear Glass FG Frosted Glass SG Striped Glass XG Check Glass

\*See BELOW for SPECIAL color choices



One accessory only

L. CRI & COLOR TEMP	M. VOLTAGE	N. DRIVER	O. CANOPY TYPE	P. CANOPY COLOR
835 80 CRI; 3500K 840 80 CRI; 4000K	UNV 120-277v	S1 1% Dimming (0 - 10v) DD Dual Dimming (2-wire dimming - Triac/ELV/Phase Cut - 5% Dimming) SAX 1% Dim with Aux PEQ Lutron, Hi-Lume Premier EcoSystem 0.1% Fade to Black ELO EldoLED 0.1% Dim to Dark driver DALI DALI 2.0 Compatible	FRC Flat Round Canopy PRC Power Round Canopy SRJ Surface Round J-Box Canopy PRS Power Round Surface J-Box Canopy	WH White BK Black SV Silver CC Custom Color RAL # required

\*90 CRI Option has an R9 Value Greater than 50

All CCT are 2 Step MacAdam Ellipse

SAX Driver Code is required for the Athena Wireless Node

FRC required if Remote Driver Selected.  
Remote driver or power canopy required if Pendant Height less than 9".

\*See BELOW for SPECIAL Finishes

SUSPENSION TYPE				OPTIONS		
Q. POWER CORD	Q. CORD LENGTH	R. STEM	R. STEM LENGTH	S. OPTIONS		
WF White Feed BF Black Feed SF Silver Feed	24 24 in 42 42 in 102 102 in 150 150 in	WST White Stem BST Black Stem SST Silver Stem CST Custom Color RAL # required	12 12 in 18 18 in 24 24 in 48 48 in xx Custom length Specified in inches	NN NONE EB Emergency Battery (6-Watt Remote Driver Required) RD Remote Driver (Required for EB) SLP Slope Ceiling AWN-R-W Lutron Athena Wireless Node (RF-only) in White AWN-R-B Lutron Athena Wireless Node (RF-only) in Black		

Maximum Pendant height is 50" when cord hung, greater than 50" requires stem mount.

Remote driver or power canopy required if Pendant Height less than 9".

### BAFFLE/BEAM ANGLE/ MAX LUMENS CROSS REFERENCE

BAFFLE TYPE	13°	20°	26°	35°	55°
DSF	1250	2000	2000	2000	2000
DMF	1250	2000	2000	2000	2000

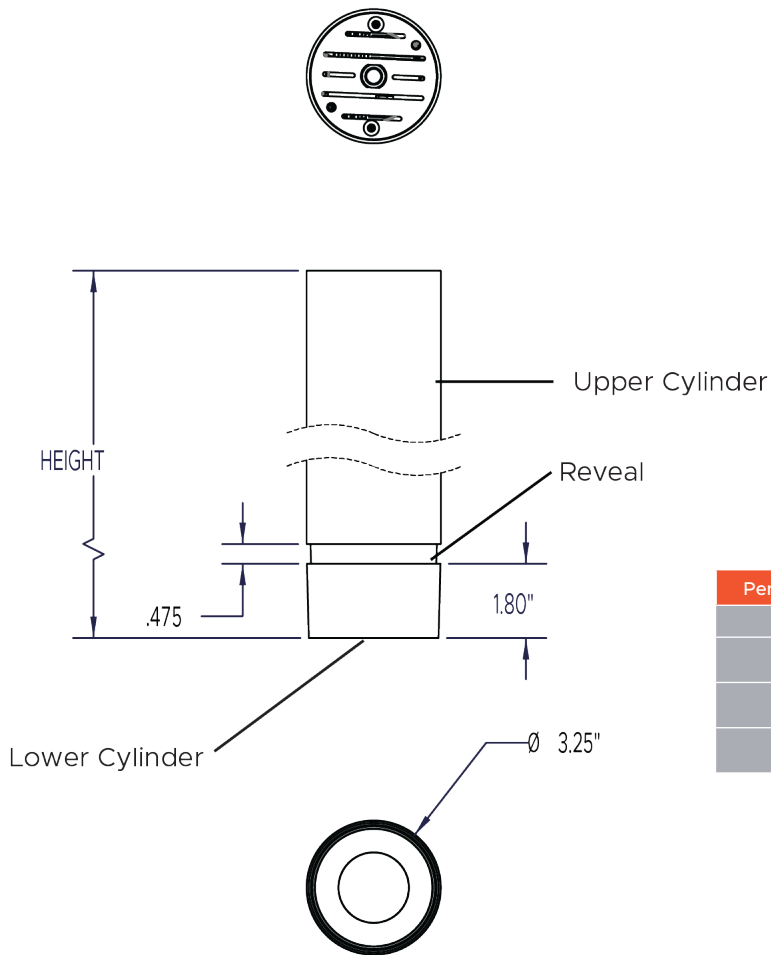
### SPECIAL FINISH COLORS Longer Lead Time Required



### SPECIAL FINISH COLORS

Special (Longer Lead Time)			
LC LUX Orange	MG Moss Green		
BZ Bronze	BL Blue		
SG Slate Gray	RD Red		
YW Yellow	CC Custom Color		
FG Forest Green			

LUMINAIRE HEIGHT DIAGRAMS

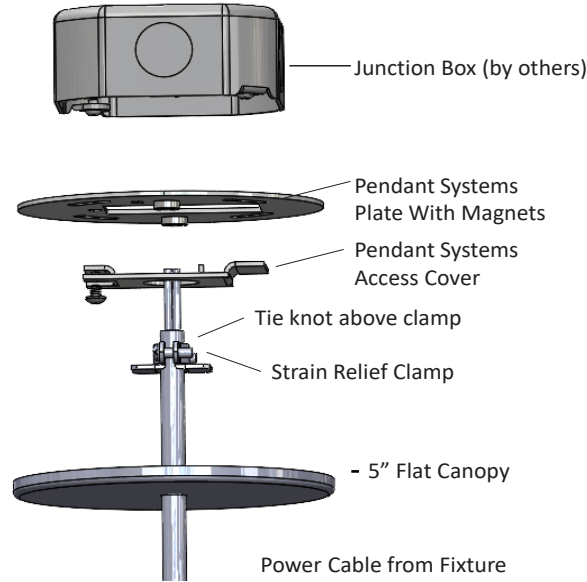


Pendant Height	Ordering Code	Driver Mounting
4.6"	5	Remote or Power Canopy
8.6"	9	Integral, Power Canopy, or Remote
11.6"	12	Integral, Power Canopy, or Remote
17.6"	18	Integral, Power Canopy, or Remote

## MOUNTING DIAGRAM DETAILS

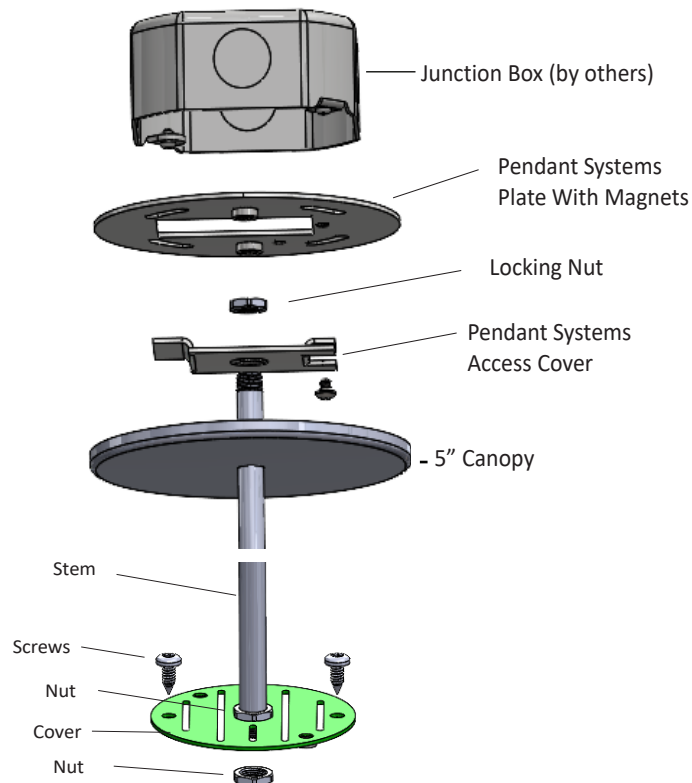
### Corded Power Drop Mount Detail

Ordering Code: FRC - Flat Round Canopy



### Stem Mount Detail

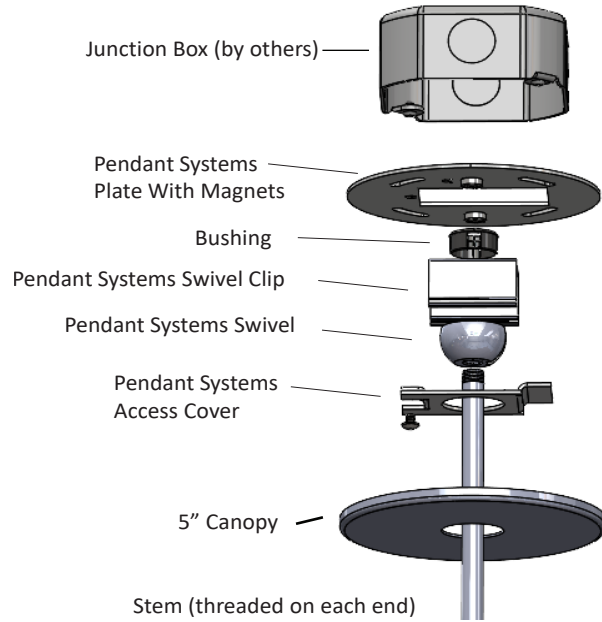
Ordering Code: FRC - Flat Round Canopy



**MOUNTING DIAGRAM DETAILS**

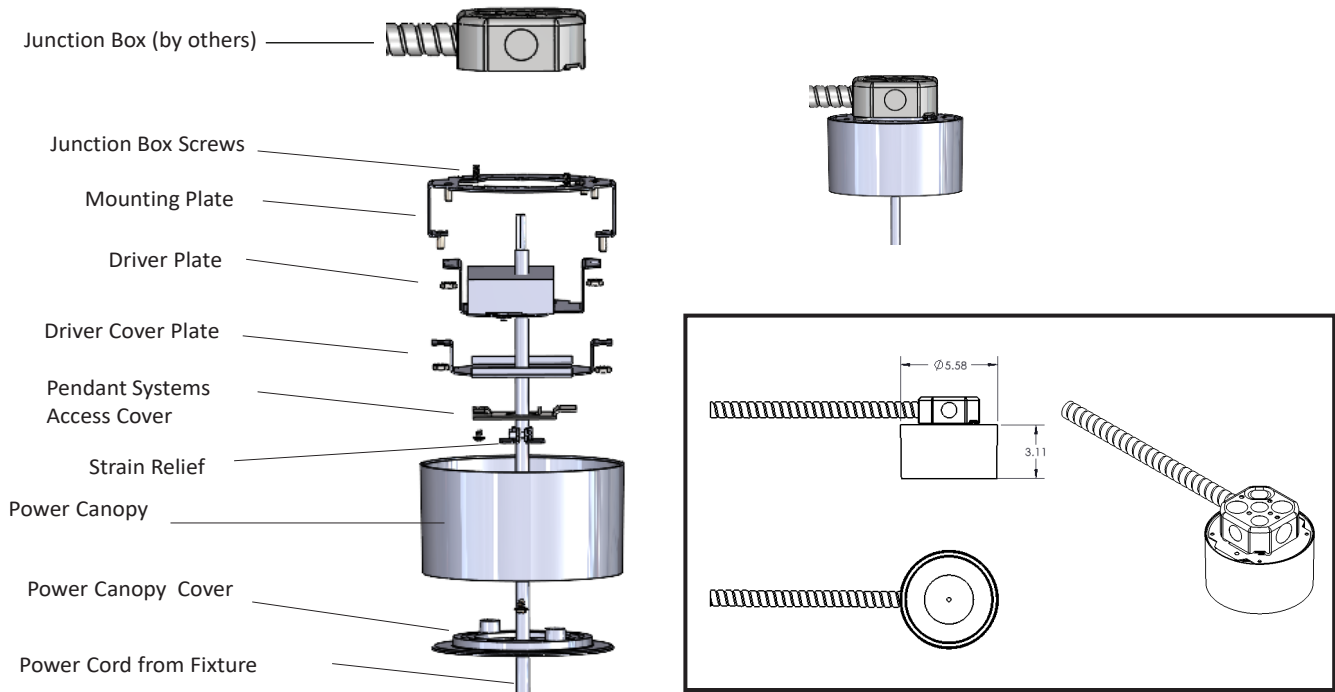
**Slope Ceiling Stem Mount Detail**

**Ordering Code: FRC - Flat Round Canopy**



**Powered Canopy Detail with Power Cord Mount**

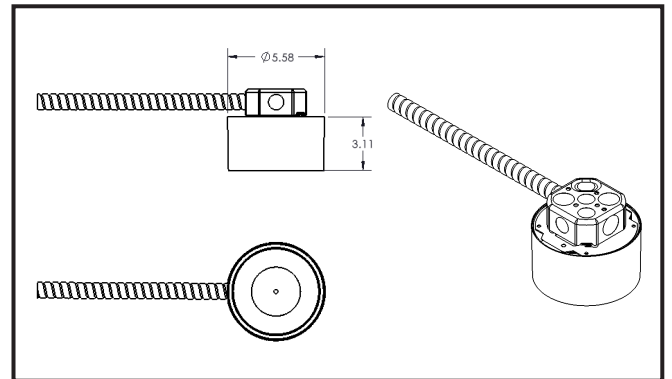
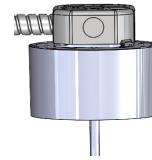
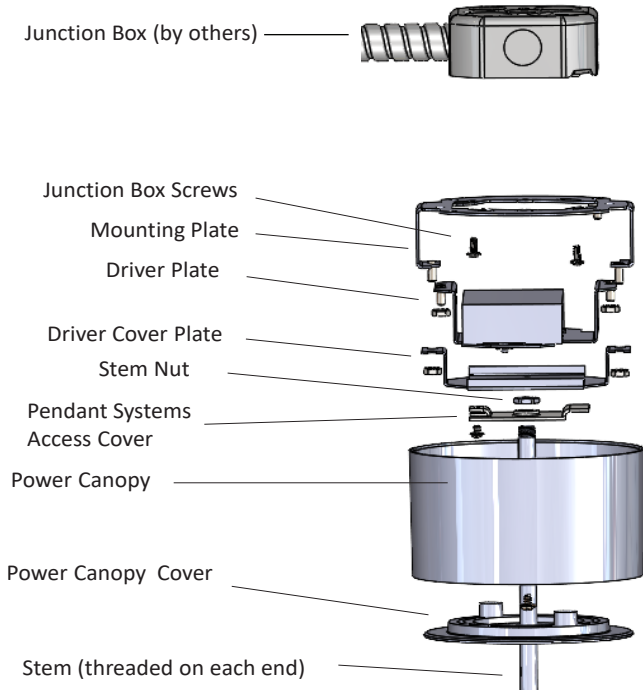
**Ordering Code: PRC - Powered Round Canopy**



**MOUNTING DIAGRAM DETAILS**

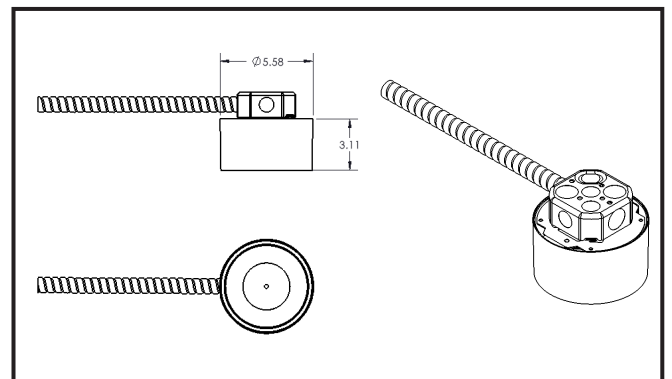
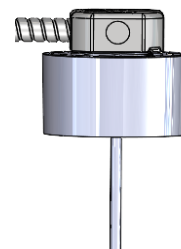
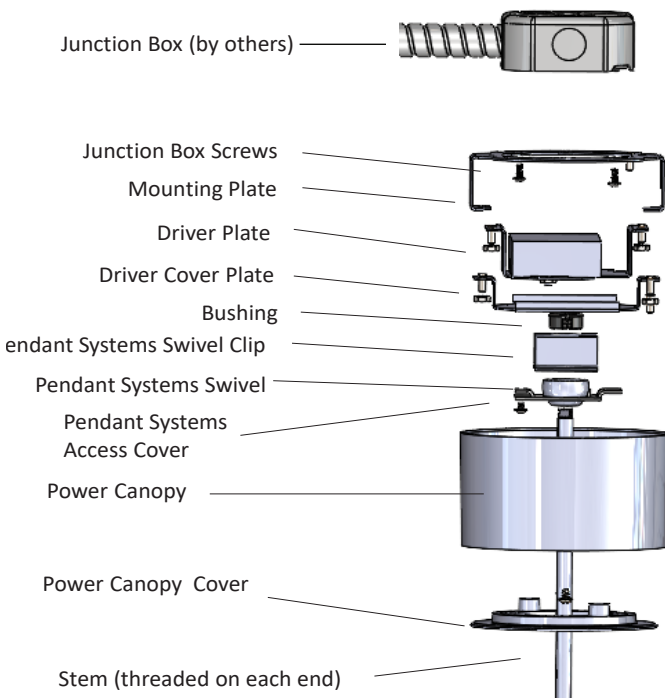
**Powered Canopy Detail with Stem Mount**

Ordering Code: PRC - Powered Round Canopy



**Powered Canopy Detail with Slope Ceiling Stem Mount**

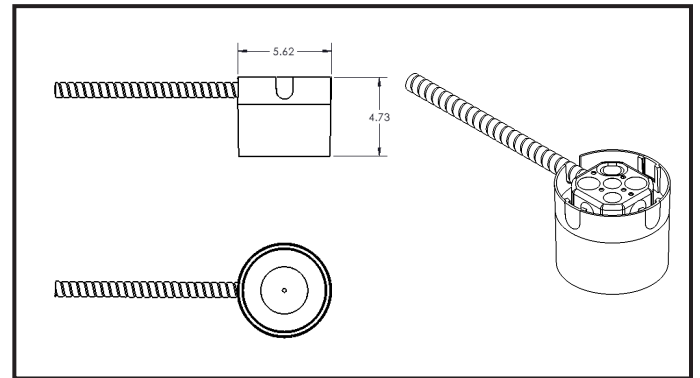
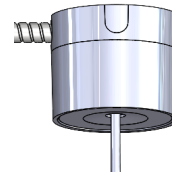
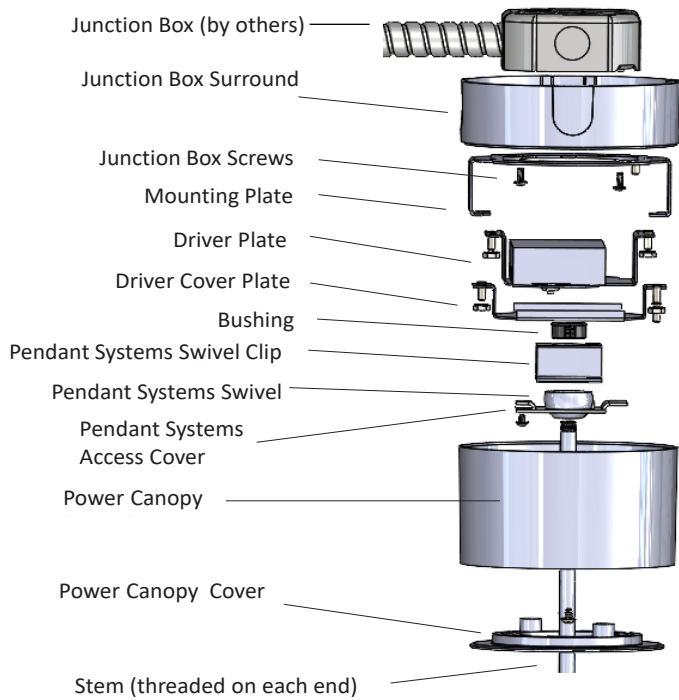
Ordering Code: PRC-SLP - Powered Round Surface J-Box Canopy, Slope Ceiling



**MOUNTING DIAGRAM DETAILS**

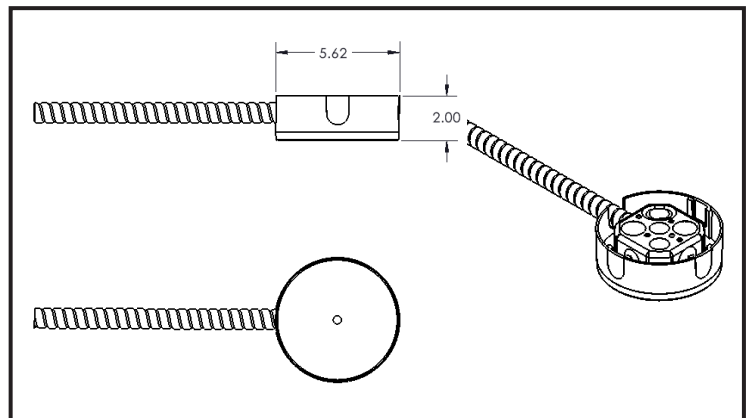
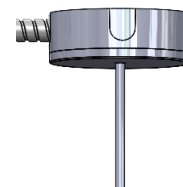
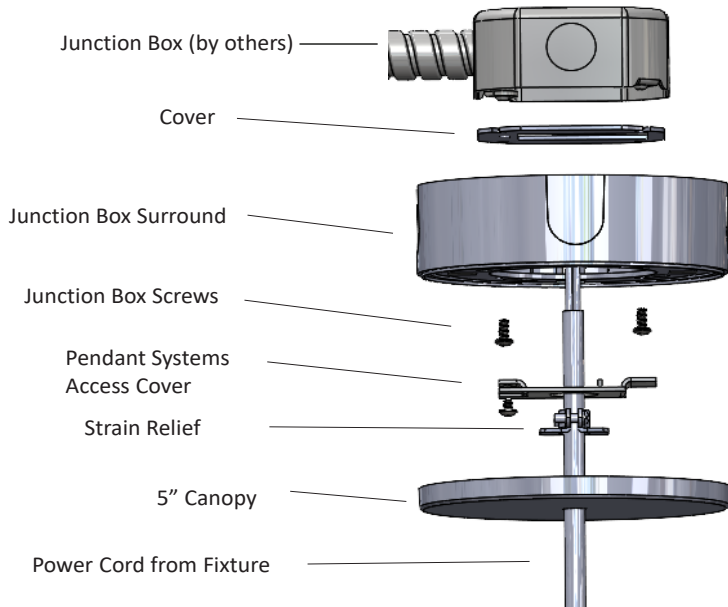
**Powered Canopy Detail with Surface Mount Slope Ceiling**

**Ordering Code: PRS-SLP - Powered Round Surface J-Box Canopy, Slope Ceiling**



**Surface Mounting Detail with Cord Mount**

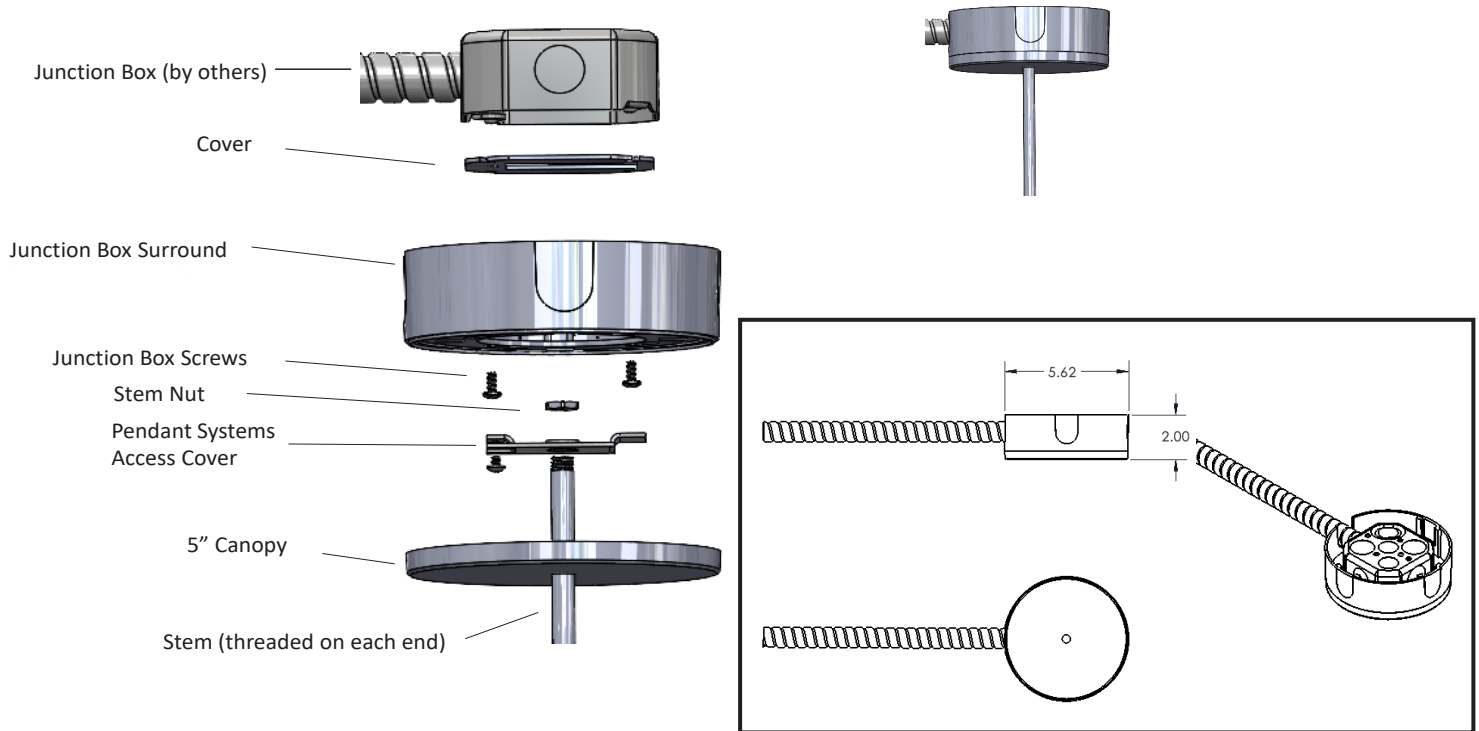
**Ordering Code: SRJ - Surface Round J-Box Canopy**



**MOUNTING DIAGRAM DETAILS**

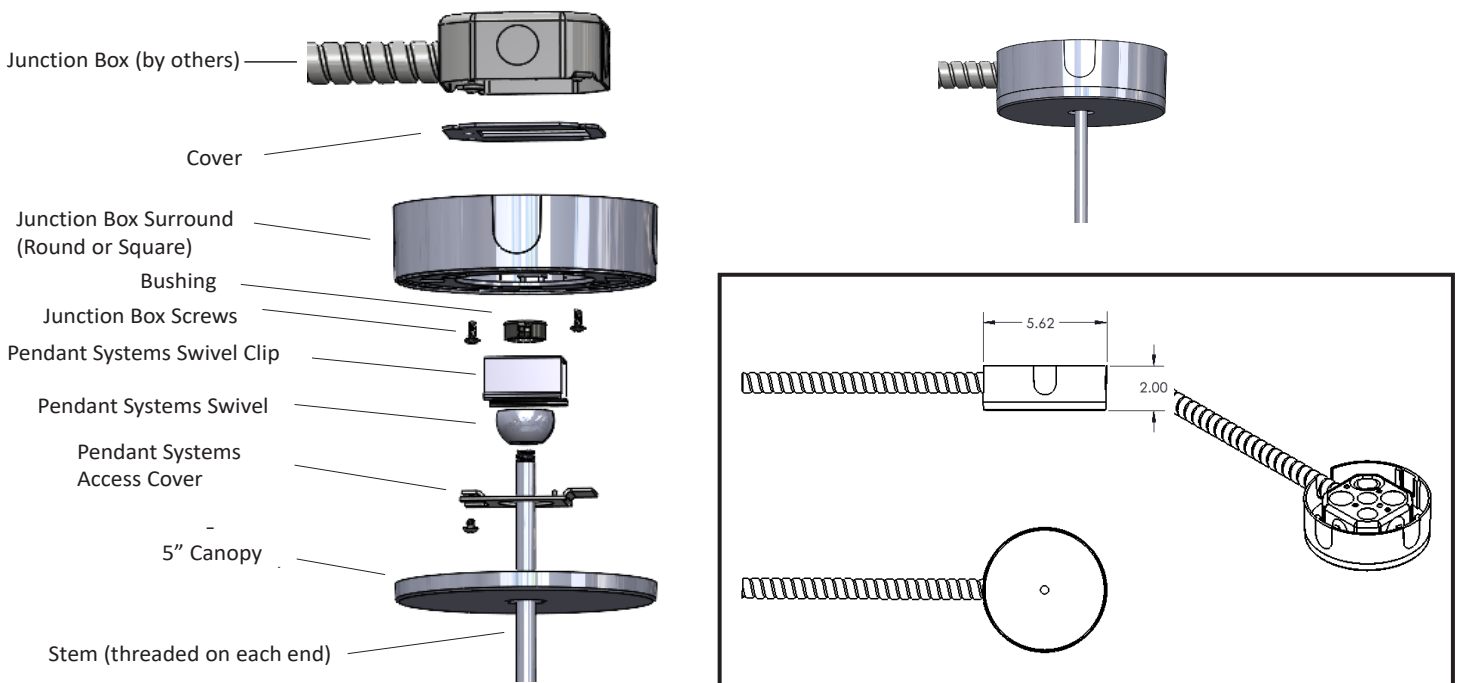
**Surface Mounting Detail with Stem Mount**

**Ordering Code: SRJ - Surface Round J-Box Canopy**



**Surface Mounting Detail with Slope Stem Mount**

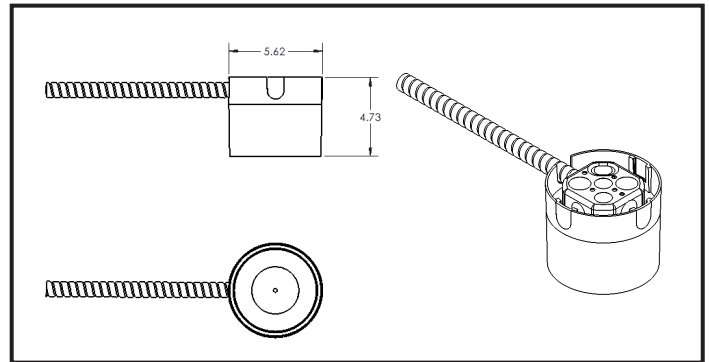
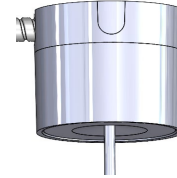
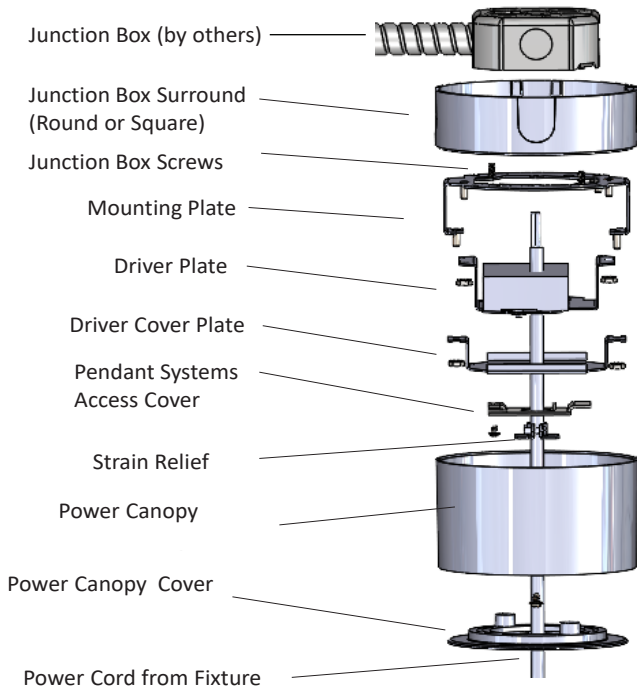
**Ordering Code: SRJ-SLP Surface Round J-Box, Slope Ceiling**





**MOUNTING DIAGRAM DETAILS**

**Surface Mount Ceiling Detail with Power Canopy and Power Cord**  
**Ordering Code: PRS - Power Round Surface**



**Surface Mount Ceiling Detail with Power Canopy and Stem**  
**Ordering Code: PRS - Power Round Canopy**

