

LaYR 4.0 ROUND FIXED DOWNLIGHTS

DESIGNER Series (Up to 2000 Lumens)



Image Above Shown With Smooth Shallow Black Baffle and Black Trim Ring

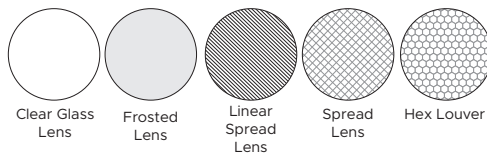


Image Above Shown With High Cut Off Black Baffle and Black Trim Ring

TRIM & BAFFLE FINISHES



ACCESSORIES



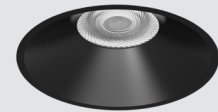
The LaYR 4.0 Round Fixed Designer downlight is a versatile lighting solution that can adapt to different lighting needs and style preferences. Its design includes a 4" aperture with round baffle, offering users 5 distinct optic options to adjust the beam spread. With a lumen output range of 500 to 2000 lumens, it can provide sufficient illumination for various purposes, such as accent lighting or general illumination. In addition, this downlight offers a High Cut-off baffle that provides a shielding angle of 60 degrees and a cut off angle of 33 degrees.

To add to its adaptability, the downlight can be further customized by choosing from a range of baffle and trim finishes, drivers, housings, and accessories. This customization allows users to create a unique downlight that fits their specific requirements and style preferences.

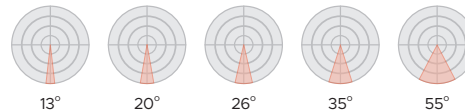
FLANGED TRIM



TRIMLESS



50mm Beam Optics:



SPECIFICATIONS

Designer Series	
Im/W	127
Lumen Output	500 - 2000lm
Luminaire Height	4 7/8" (SS) 5 3/4" (HC)
Optic Size	50mm
Beam Optics	13°, 20°, 26°, 35°, 55°
Baffle Type	Shallow Smooth Finish (Depth 1")
	High Cut Off (Depth 1 7/8")
Baffle Type	Cut Off Angle - 18°
	Shielding Angle - 40°
Baffle Type	Cut Off Angle - 33°
	Shielding Angle - 60°
Trim Type	Flange Trim, Trimless
Baffle & Trim Finishes	White, Black, Satin Silver & Champagne
CRI -80 (2-Step)	35K & 40K
CRI - 90 (2-Step)	27K, 30K, 35K, 40K *90 CRI Option has an R9 Value Greater than 50
Ceiling Thickness Range	(min) 3/8" - (max) 1 1/2"
Hole Cut Size	4 3/8" (REM) - 4 1/2" (OF/IC)
Accessories Options	Hex Louver, Frosted Lens, Linear Spread Lens, Spread Lens, Clear Lens
Accessories Qty	Up to 2
Drivers	0-10V, TRIAC, ELV, Lutron Ecosystem, DALI, (Optional Emergency Battery)
Dimming	1%, 5%, 0.1%
Voltage	120-277 Volt
Housing	Non-IC, IC Rated, Remodel
Lumen Maintenance	80,000
Power Factor	> .95
THD	< 20kHz
Approved Location	Dry/Damp/Wet
Certifications	UL 1598/UL 2108 Listed US and Canada

Specifications may change without notice.

LaYR 4.0 ROUND FIXED DOWNLIGHTS

DESIGNER Series (Up to 2000 Lumens)



Ordering Guide

HOUSING



LIGHT ENGINE & BAFFLE



OPTIONS

NOTES:



HOUSING & DRIVER

A. MODEL	B. TRIM	C. HOUSING STYLE	D. MOUNTING	E. LUMEN OUTPUT
LFXR4 Round Fixed 4in	FT Flange Trim SF Spackle Flange Trimless MW Millwork	OF Open Frame (Non-IC) (Rough-In Mounting Plate) w/ 5/8" Collar IC IC Rated Housing w/ 5/8" Collar CP Chicago Plenum RM Remodel (Non-IC) ,	SMB Standard Mounting Bars Min: 14.25" / Max: 26" ACB Adjustable Commercial Bar Hanger (Includes C-Channel Bracket and Heavy Duty Bar Hangers) Min: 11" / Max: 26.75" REM Remodel	500 500 lm, 5W 750 750 lm, 8W 1000 1000 lm, 10W 1250 1250 lm, 12W 1500 1500 lm, 15W 1750 1750 lm, 18W 2000 2000 lm, 22W
	RM housing Style and REM mounting required for Millwork	Additional ceiling collar depths available in (H) Options below OF and RM Non-IC rated cannot come in contact with insulation.	ACB must be selected at initial order	Narrow spot max is 1500 lm based on Baffle choice see cross reference below 1750 lm max for dual dim. Please see driver matrix for additional details
F. VOLTAGE	H. HOUSING OPTIONS (May choose multiple options below)			
UNV 120-277v	S1 1% Dimming (0 - 10v) DD Dual Dimming (2-wire dimming - Triac/ELV/Phase Cut - 5% Dimming) SAX 1% Dim with Aux PEQ Lutron, Hi-Lume Premier EcoSystem 0.1% Fade to Black ELO EldoLED 0.1% Dim to Dark driver DALI DALI 2.0 Compatible		NN NONE RD Remote Driver (Consult Factory) C1 1" Ceiling Depth Collar C5 1.5" Ceiling Depth Collar AWNR Lutron Athena Wireless Node (RF- only)	
	SAX Driver Code is required for the Athena Wireless Node 1750 lm max for dual dim.		AWNR Requires SAX Driver Code	

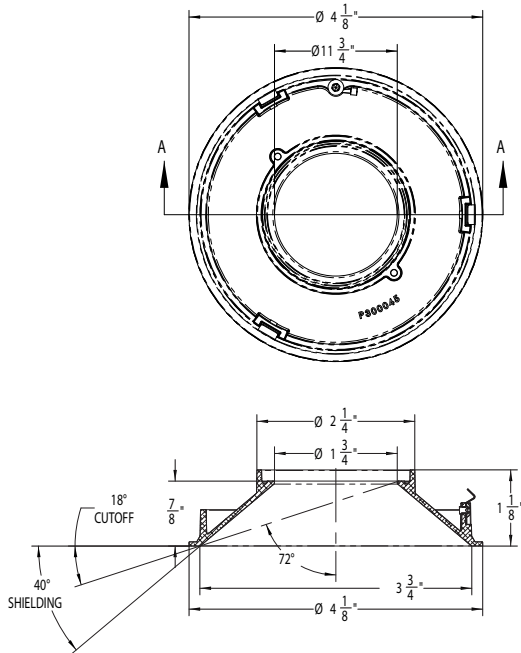
LIGHT ENGINE & BAFFLE

I. LIGHT ENGINE	J. BAFFLE TYPE	K. BEAM OPTICS	BAFFLE/BEAM ANGLE/ MAX LUMENS CROSS REFERENCE																											
FDR4 Fixed Designer Round 4in 50mm Optic	Flange Trim STF Shallow, Smooth Flanged HCF High Cut Off Flanged Spackle Flange Trimless STS Shallow, Smooth Spackle HCS High Cut Off Spackle	50mm Optic 13 Narrow Spot 13° 20 Spot 20° 26 Narrow Flood 26° 35 Flood 35° 55 Wide Flood 55°	<table border="1"> <thead> <tr> <th rowspan="2">BAFFLE TYPE</th> <th colspan="5">Designer 50mm Optic</th> </tr> <tr> <th>13°</th> <th>20°</th> <th>26°</th> <th>35°</th> <th>55°</th> </tr> </thead> <tbody> <tr> <td>STF or STS</td> <td>1250</td> <td>2000</td> <td>2000</td> <td>2000</td> <td>2000</td> </tr> <tr> <td>HCF or HCS</td> <td>1250</td> <td>2000</td> <td>2000</td> <td>2000</td> <td>2000</td> </tr> </tbody> </table>					BAFFLE TYPE	Designer 50mm Optic					13°	20°	26°	35°	55°	STF or STS	1250	2000	2000	2000	2000	HCF or HCS	1250	2000	2000	2000	2000
BAFFLE TYPE	Designer 50mm Optic																													
	13°	20°	26°	35°	55°																									
STF or STS	1250	2000	2000	2000	2000																									
HCF or HCS	1250	2000	2000	2000	2000																									
		Refer to Beam/Max Lumens cross reference	Note: Maximum Lumens based on 3500K 80CRI test values with no accessories. Beam angles do change with certain accessories																											
L. BAFFLE FINISH	M. TRIM FINISH	N. CRI COLOR TEMP.	OPTIONS		OPTIONS																									
WH White BK Black SS Satin Silver CG Champagne CC Custom Color	WH White BK Black SS Satin Silver CG Champagne CC Custom Color NN None (Required with spackle flange Only)	835 80 CRI; 3500K 840 80 CRI; 4000K 927 90 CRI; 2700K 930 90 CRI; 3000K 935 90 CRI; 3500K 940 90 CRI; 4000K *90 CRI Option has an R9 Value Greater than 50	O. ACCESSORIES HL Hex Louver CL Clear Glass FG Frosted Glass SG Striped Glass (Linear Spread) XG Check Glass (Spread)		P. FACTORY OPTIONS SSC Seismic Safety Cable WET Wet Location																									
			Other accessories may be available, consult factory.																											
	NN: Spackle Flange Trimless	All CCT are 2 Step MacAdam Ellipse																												

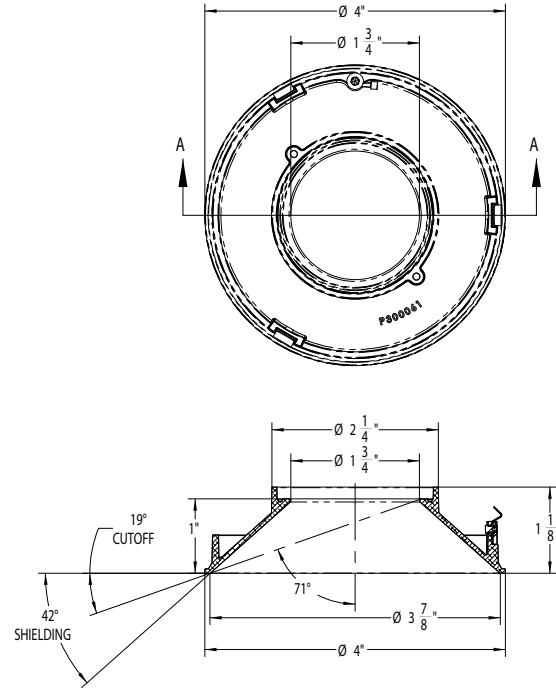
Specifications may change without notice.

FIXTURE DIMENSIONS

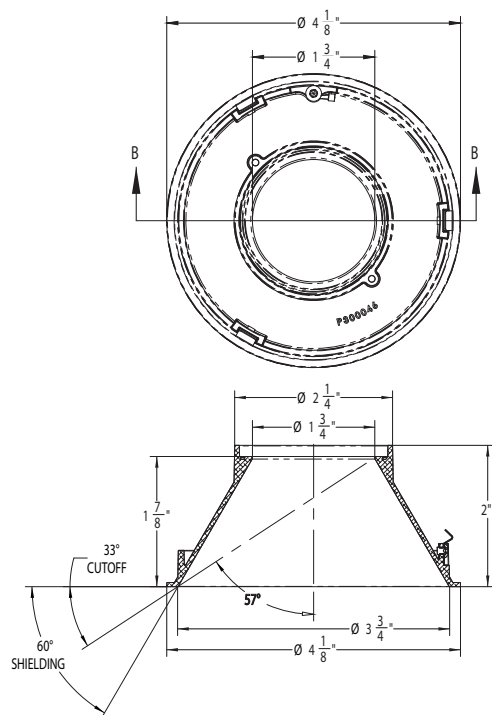
**Trimless
Shallow Smooth**



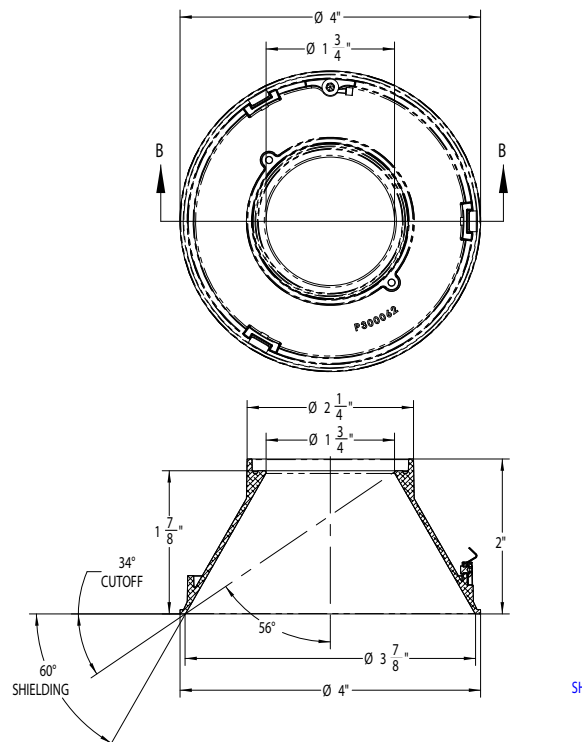
**Trim
Shallow Smooth**



**Trimless
High Cutoff**



**Trim
High Cutoff**

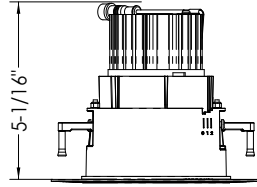


SI

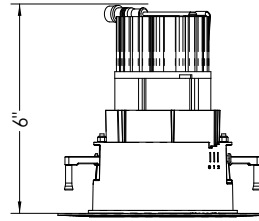


HEAT SINK DIMENSIONS

TRIMLESS

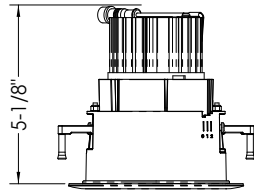


LFXR4-SF
Up to 2000 Lumens

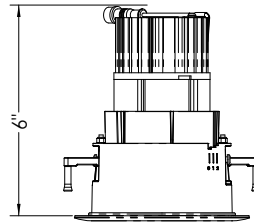


LFXR4-SF
Up to 2000 Lumens

FLANGED TRIM



LFXR4-FT
Up to 2000 Lumens



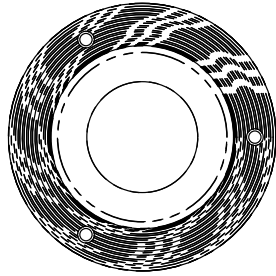
LFXR4-FT
Up to 2000 Lumens

HEAT SINK DIMENSIONS

	STANDARD HEAT SINK	TALL HEAT SINK
FDR4 STS	X	
FDR4 STF	X	
FDR4 HCS		X
FDR4 HCF		X



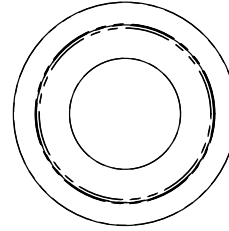
TRIM DIMENSIONS



TRIMLESS

CEILING CUTOUT
4-3/8" (REM) : 4-1/2" (OF/IC)

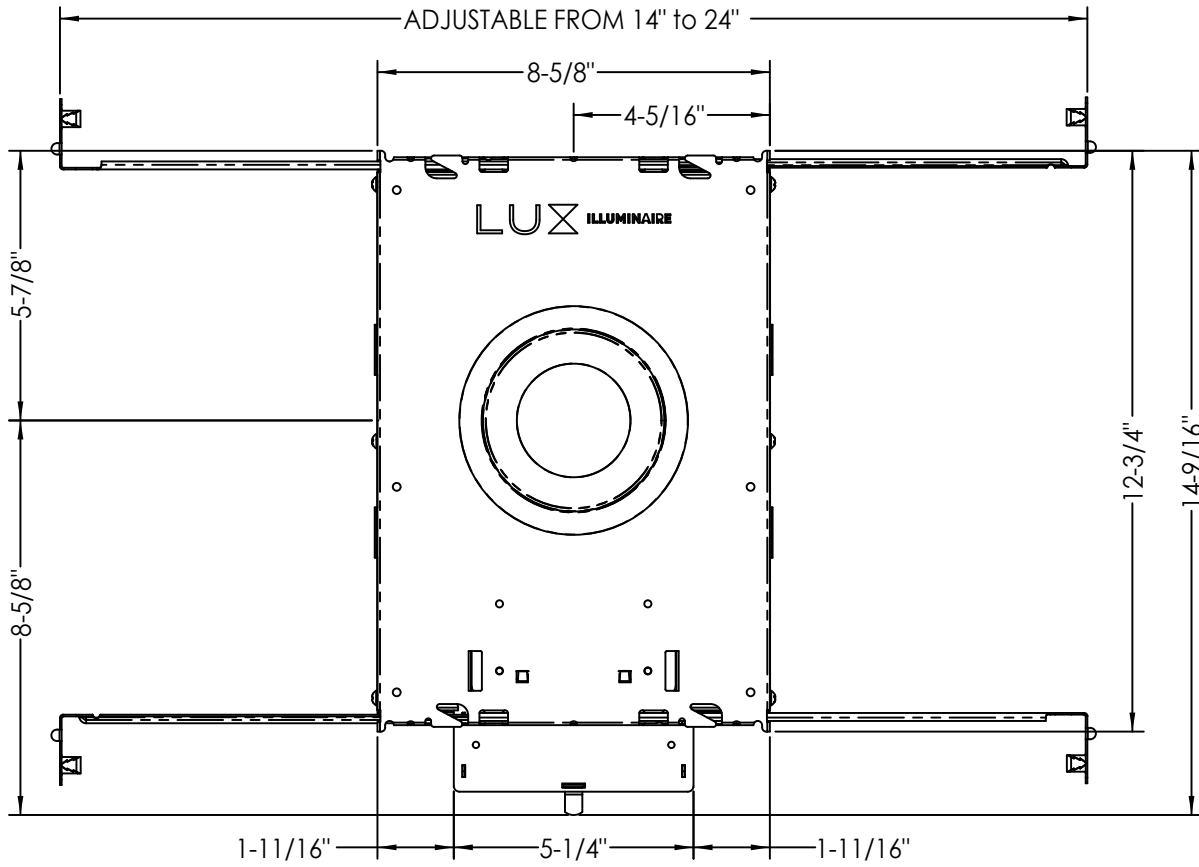
CEILING THICKNESS
(min) 3/8" - (max) 1/2"



FLANGE TRIM

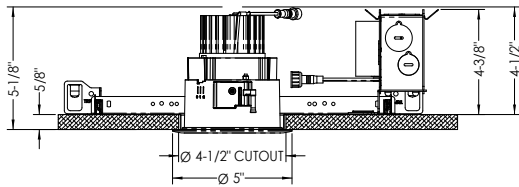
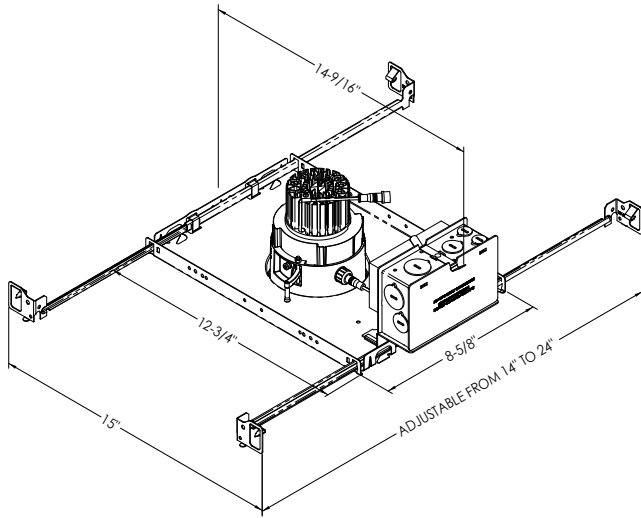
CEILING CUTOUT
4-3/8" (REM) : 4-1/2" (OF/IC)

CEILING THICKNESS
(min) 3/8" - (max) 1/2"

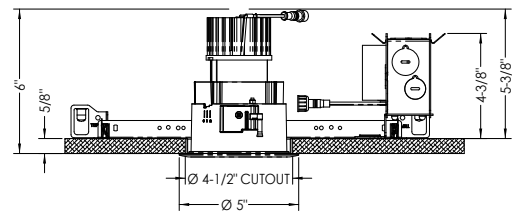
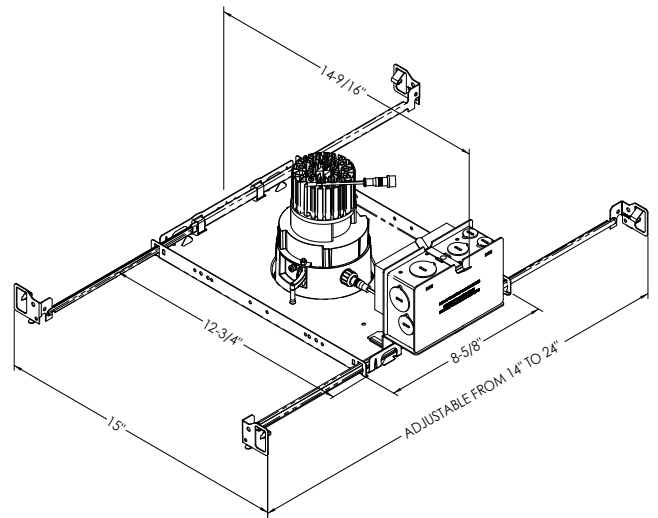


Open Frame

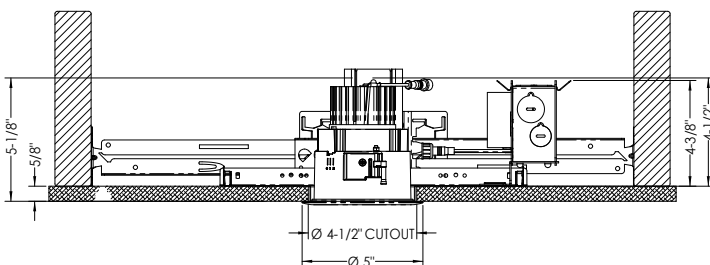
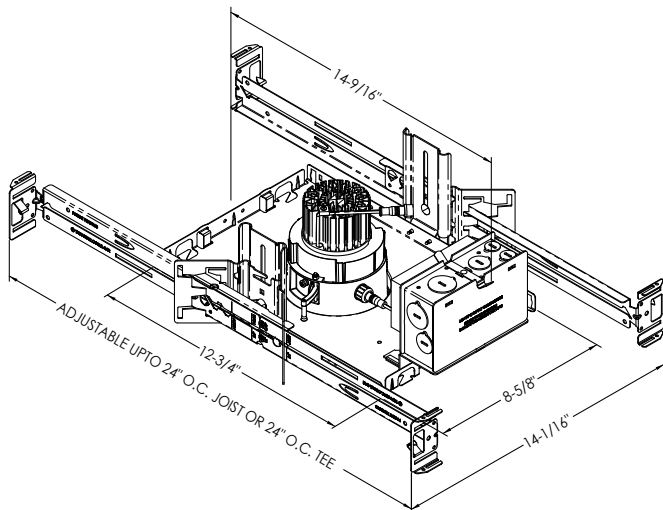
Standard Heat Sink with Standard Mounting Bars (SMB)



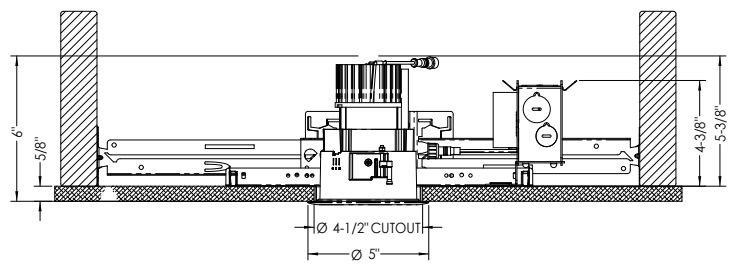
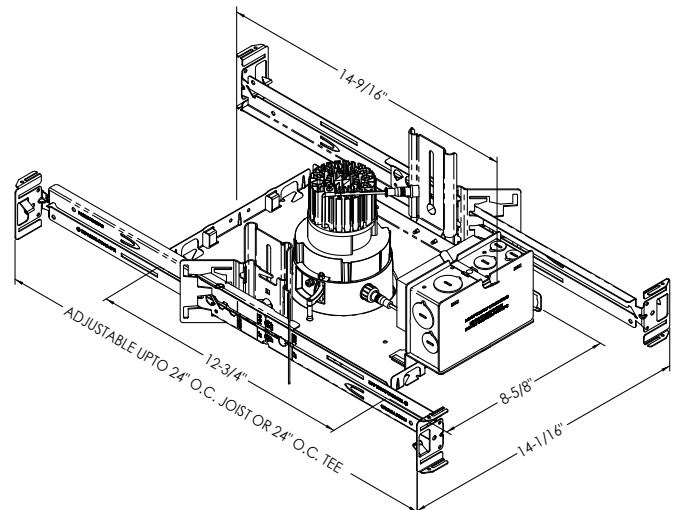
Tall Heat Sink with Standard Mounting Bars (SMB)



Standard Heat Sink with Adjustable Commercial Bar Hanger (ACB)

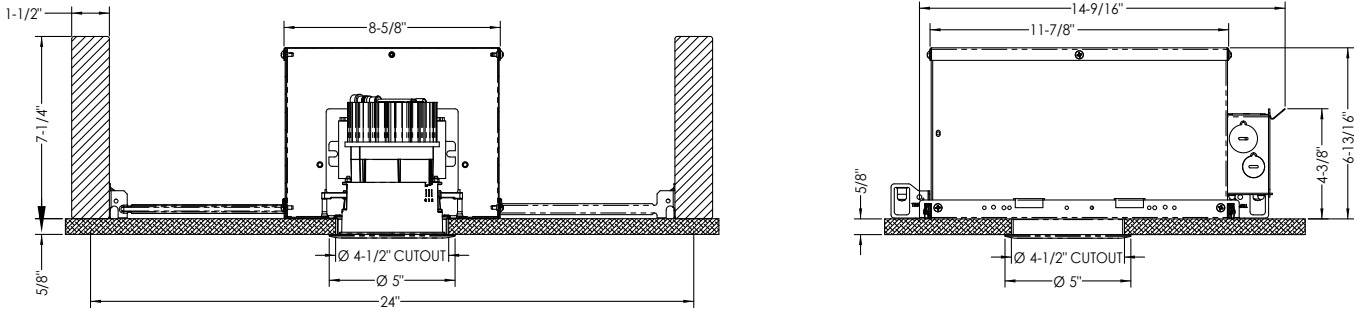


Tall Heat Sink with Adjustable Commercial Bar Hanger (ACB)

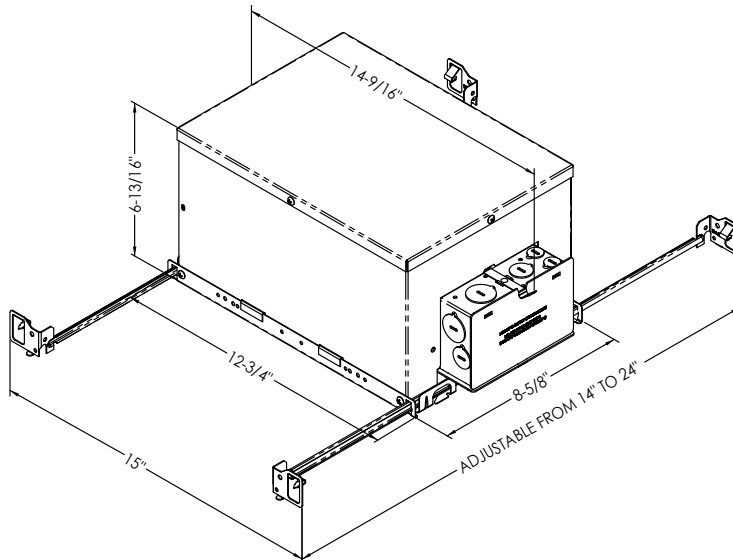
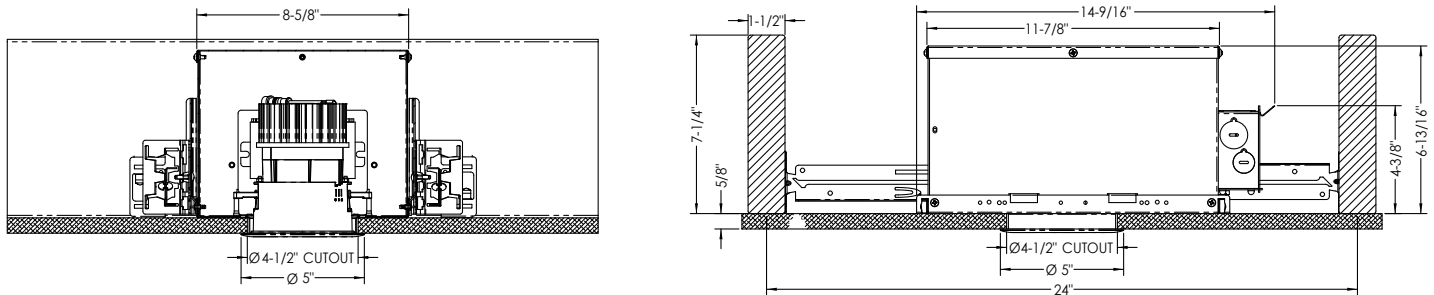


IC Frame

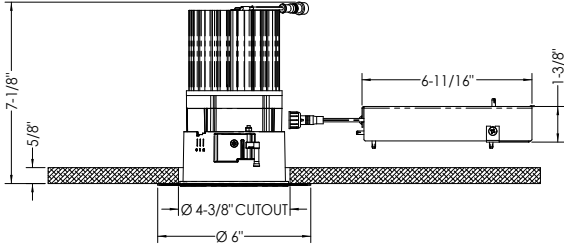
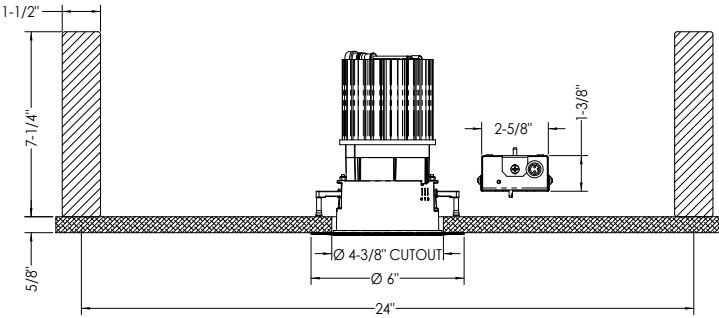
Standard Heat Sink with Standard Mounting Bars (SMB)



Standard Heat Sink with Adjustable Commercial Hanger Bars (ACB)



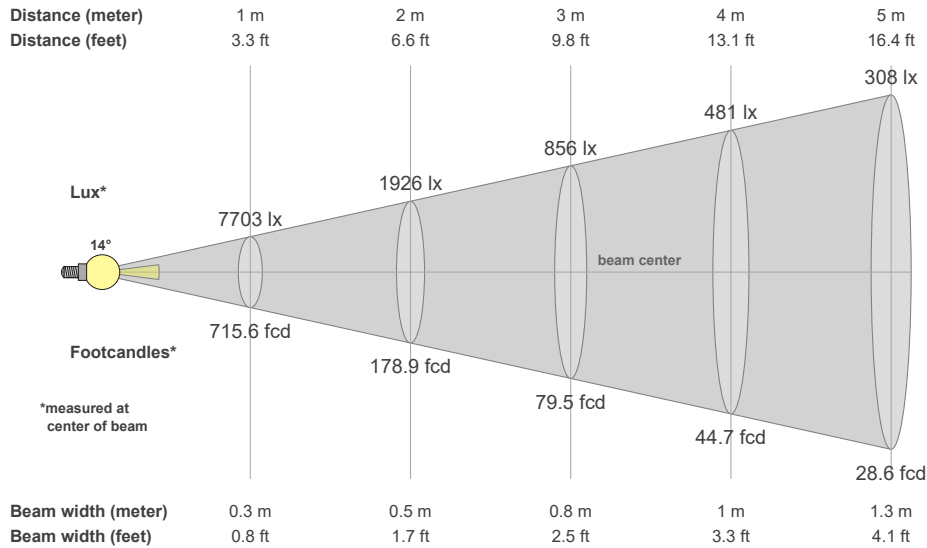
Remodel



LaYR 4.0 ROUND FIXED DOWNLIGHTS

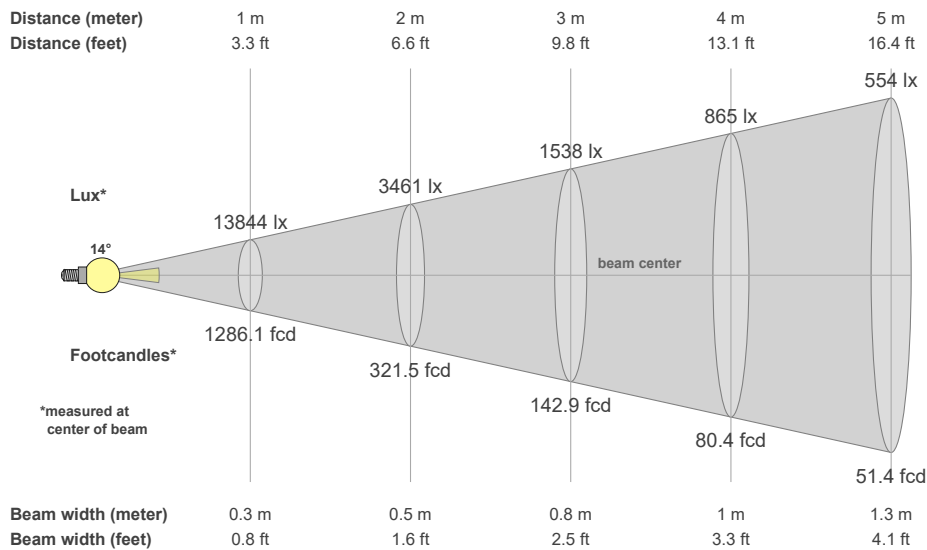
DESIGNER Series (Up to 2000 Lumens)

Cat. No: LFXR4-xx-xx-xx-1000-UNV-S1-NN-FPR4-DSS-15-WH-NN-835						
Beam: 14.4°	Peak: 8264 cd	CCT: 3500K	CRI: 83.5	Lumens: 846	Watts: 8.4	LPW: 101



INTENSITY	
Degree	Candela
0	7703
5	5590
15	857
25	161
35	56.9
45	22.1

Cat. No: LFXR4-xx-xx-xx-1500-UNV-S1-NN-FPR4-DSS-15-WH-NN-835						
Beam: 14.3°	Peak: 14446 cd	CCT: 3500K	CRI: 82.6	Lumens: 1471	Watts: 17.6	LPW: 84



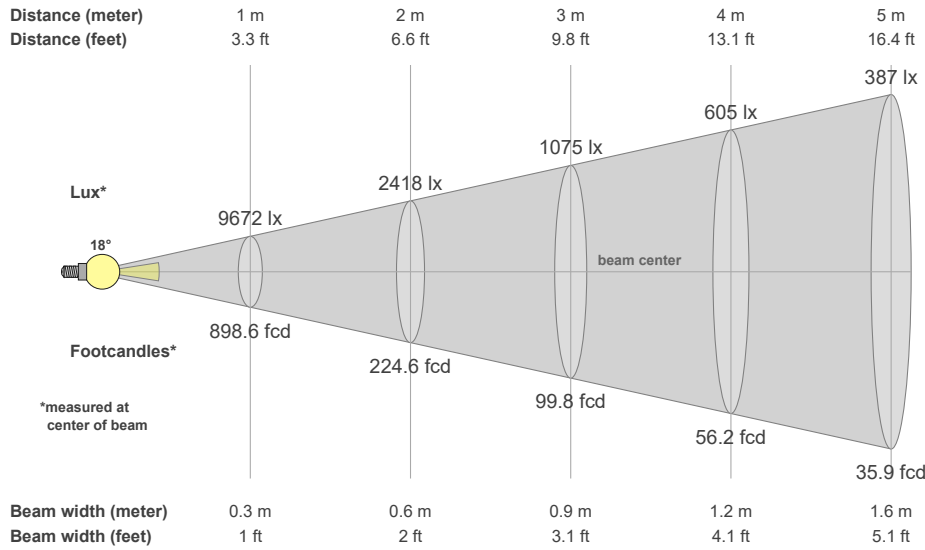
INTENSITY	
Degree	Candela
0	13844
5	9520
15	1436
25	275
35	99.1
45	41.1



LaYR 4.0 ROUND FIXED DOWNLIGHTS

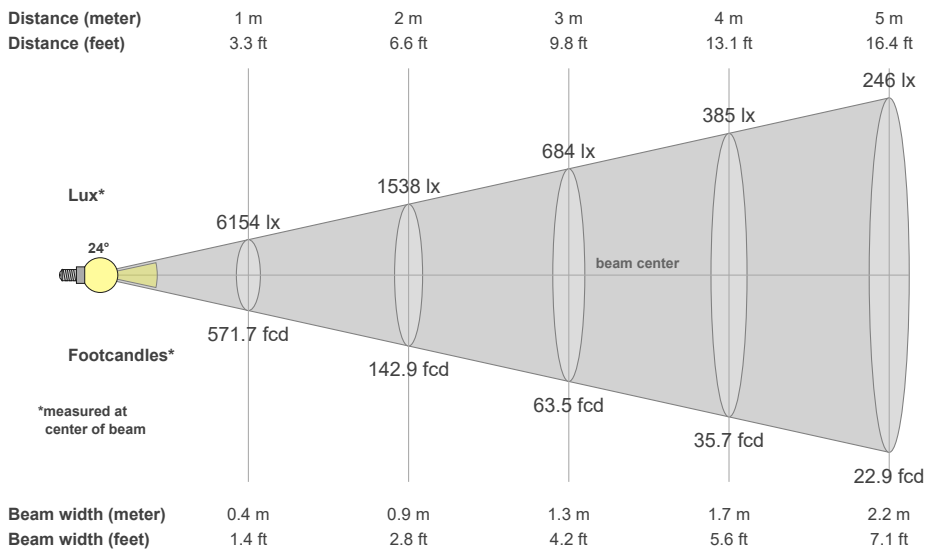
DESIGNER Series (Up to 2000 Lumens)

Cat. No: LFXR4-xx-xx-xx-1500-UNV-S1-NN-FPR4-DSS-18-WH-NN-835						
Beam: 17.7°	Peak: 10079 cd	CCT: 3500K	CRI: 84.7	Lumens: 1506	Watts: 12.3	LPW: 123



INTENSITY	
Degree	Candela
0	9672
5	7536
15	1964
25	419
35	129
45	46.2

Cat. No: LFXR4-xx-xx-xx-1500-UNV-S1-NN-FPR4-DSS-24-WH-NN-835						
Beam: 24.3°	Peak: 6318 cd	CCT: 3500K	CRI: 83.4	Lumens: 1599	Watts: 11.8	LPW: 135



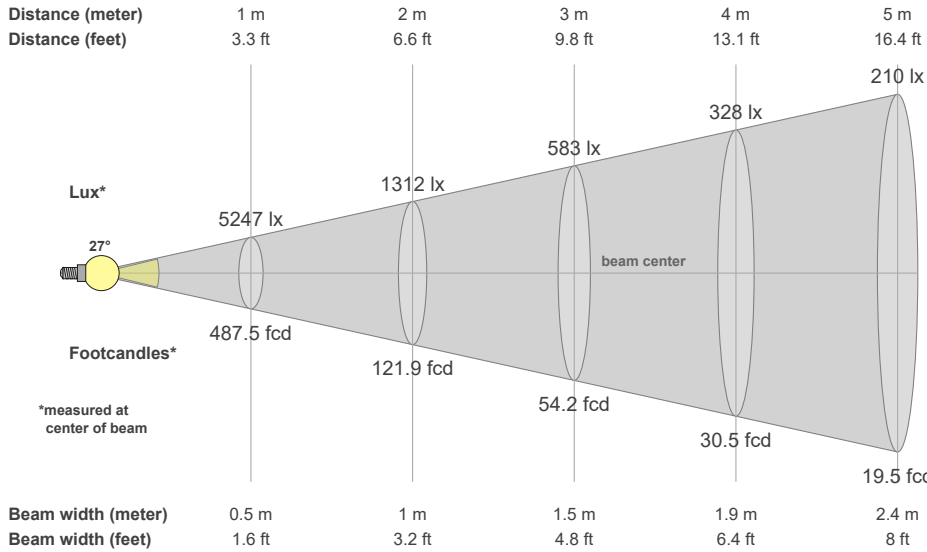
INTENSITY	
Degree	Candela
0	6154
5	5495
15	2423
25	709
35	189
45	49.8



LaYR 4.0 ROUND FIXED DOWNLIGHTS

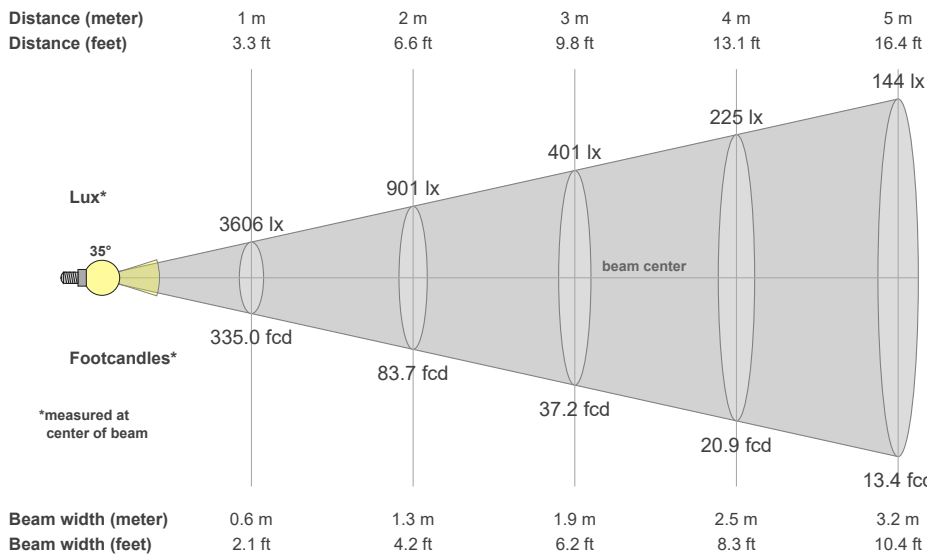
DESIGNER Series (Up to 2000 Lumens)

Cat. No: LFXR4-xx-xx-xx-1500-UNV-S1-NN-FPR4-DSS-27-WH-NN-835						
Beam: 27.3°	Peak: 5351 cd	CCT: 3500K	CRI: 82.6	Lumens: 1579	Watts: 11.9	LPW: 133



INTENSITY	
Degree	Candela
0	5247
5	4792
15	2395
25	733
35	174
45	47.3

Cat. No: LFXR4-xx-xx-xx-1500-UNV-S1-NN-FPR4-DSS-35-WH-NN-835						
Beam: 35.2°	Peak: 3627 cd	CCT: 3500K	CRI: 84.8	Lumens: 1461	Watts: 12.3	LPW: 119



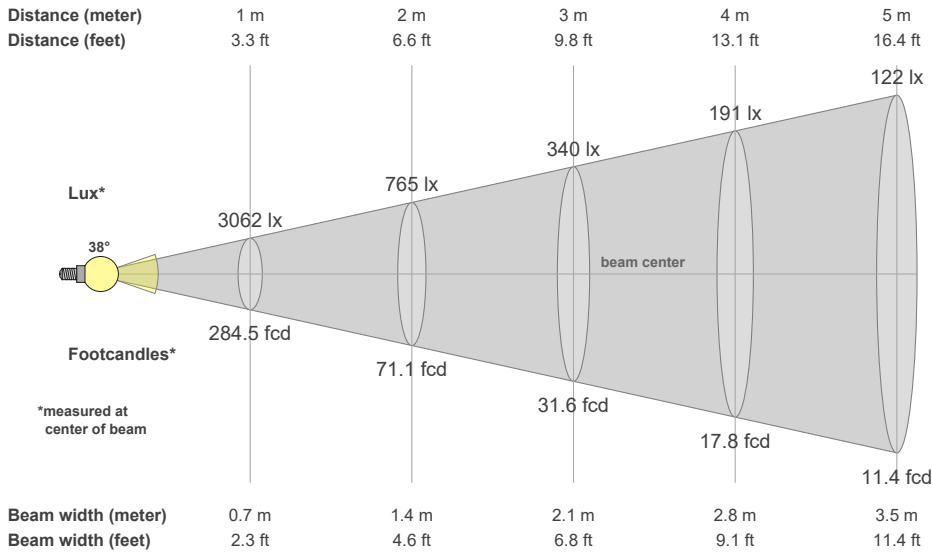
INTENSITY	
Degree	Candela
0	3606
5	3506
15	2290
25	681
35	168
45	53.2



LaYR 4.0 ROUND FIXED DOWNLIGHTS

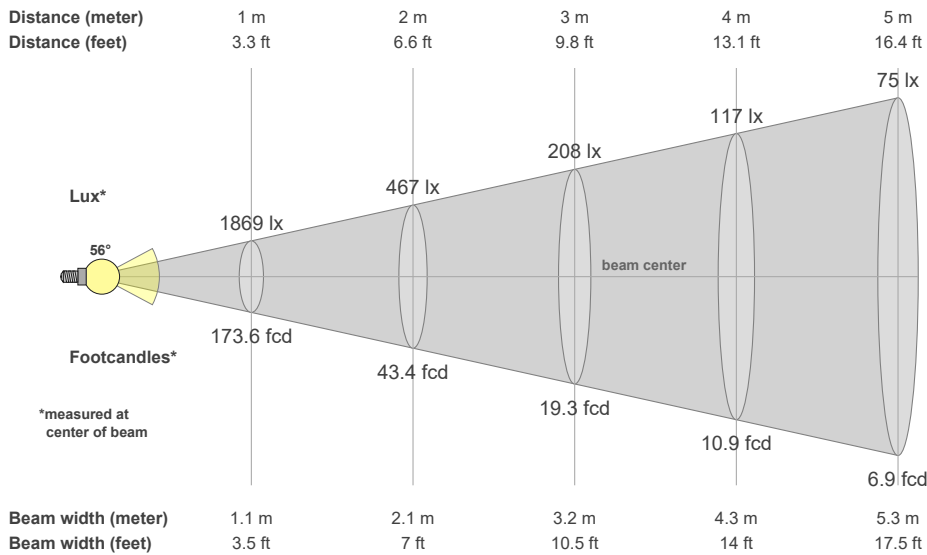
DESIGNER Series (Up to 2000 Lumens)

Cat. No: LFXR4-xx-xx-xx-1500-UNV-S1-NN-FPR4-DSS-38-WH-NN-835						
Beam: 38.2°	Peak: 3084 cd	CCT: 3500K	CRI: 82.4	Lumens: 1516	Watts: 11.8	LPW: 128



INTENSITY	
Degree	Candela
0	3062
5	2935
15	1994
25	912
35	263
45	78.4

Cat. No: LFXR4-xx-xx-xx-1500-UNV-S1-NN-FPR4-DSS-55-WH-NN-835						
Beam: 56.2°	Peak: 1878 cd	CCT: 3500K	CRI: 82.6	Lumens: 1463	Watts: 11.8	LPW: 124



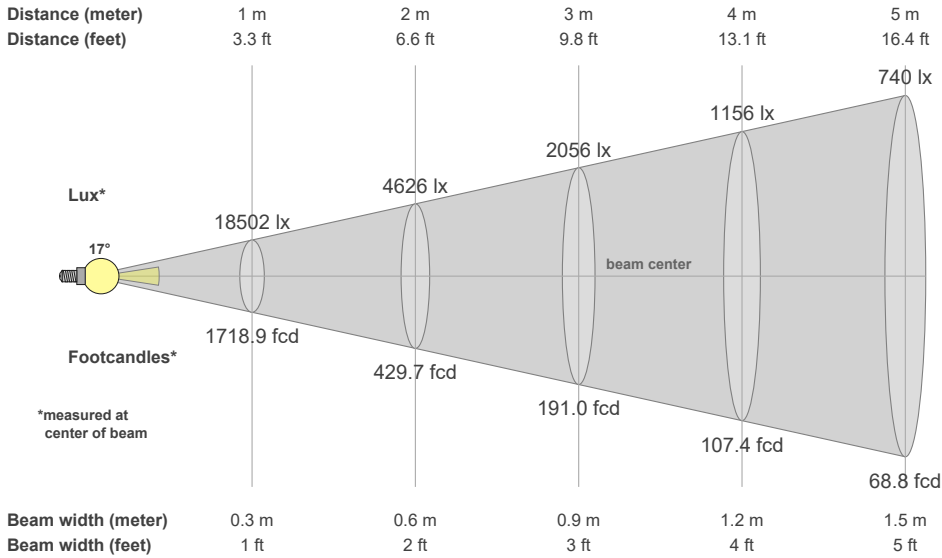
INTENSITY	
Degree	Candela
0	1869
5	1834
15	1621
25	1204
35	401
45	40.5



LaYR 4.0 ROUND FIXED DOWNLIGHTS

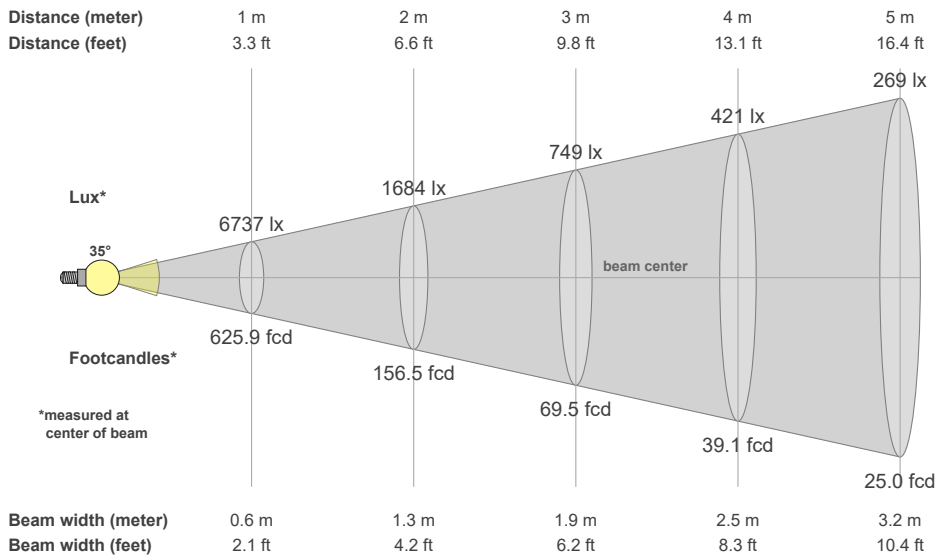
DESIGNER Series (Up to 2000 Lumens)

Cat. No: LFXR4-xx-xx-xx-2500-UNV-S1-NN-FPR4-DSS-18-WH-NN-835						
Beam: 17.5°	Peak: 19052 cd	CCT: 3500K	CRI: 84.3	Lumens: 2821	Watts: 25.9	LPW: 109



INTENSITY	
Degree	Candela
0	18502
5	14339
15	3543
25	758
35	240
45	84.9

Cat. No: LFXR4-xx-xx-xx-2500-UNV-S1-NN-FPR4-DSS-35-WH-NN-835						
Beam: 35.2°	Peak: 6773 cd	CCT: 3500K	CRI: 84.3	Lumens: 2727	Watts: 25.9	LPW: 105



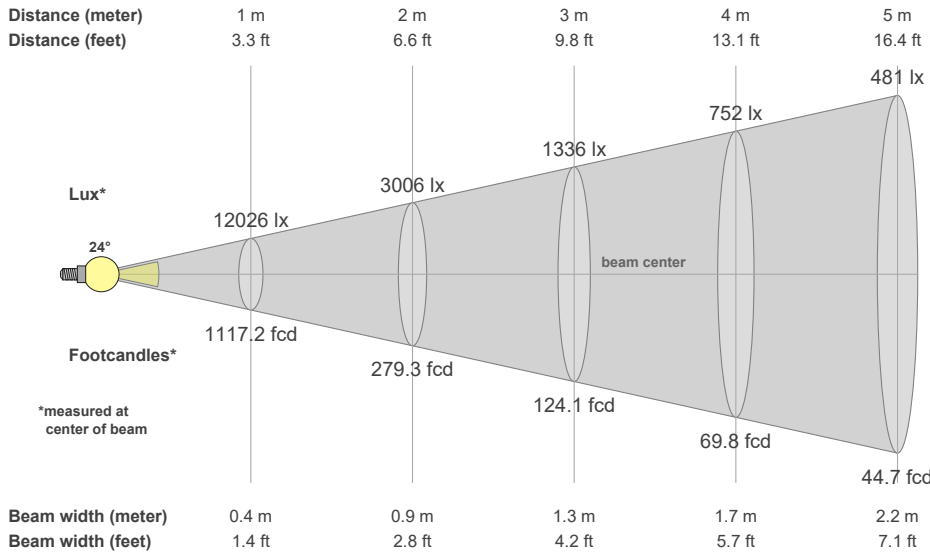
INTENSITY	
Degree	Candela
0	6737
5	6544
15	4279
25	1285
35	315
45	102



LaYR 4.0 ROUND FIXED DOWNLIGHTS

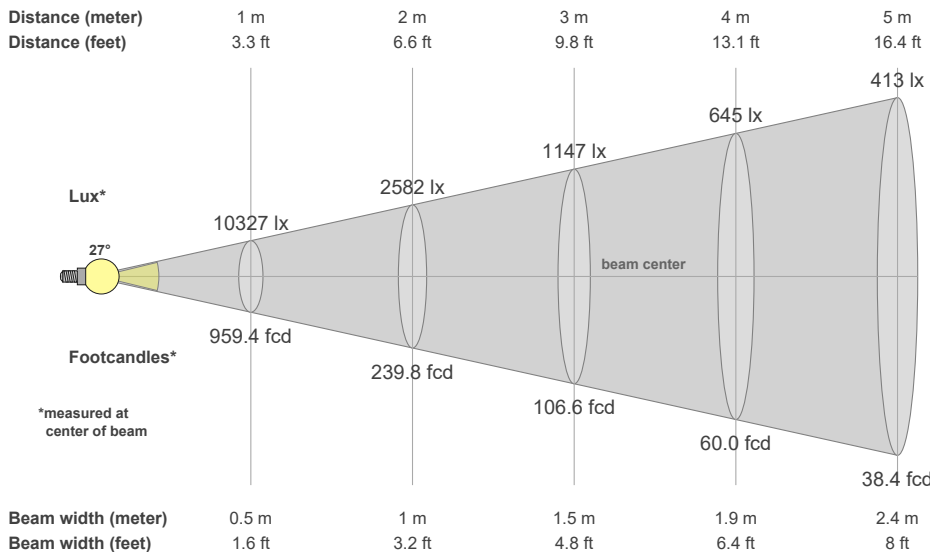
DESIGNER Series (Up to 2000 Lumens)

Cat. No: LFXR4-xx-xx-xx-3000-UNV-S1-NN-FPR4-DSS-24-WH-NN-835						
Beam: 24.3°	Peak: 12283 cd	CCT: 3347K	CRI: 83.2	Lumens: 3132	Watts: 24.4	LPW: 128



INTENSITY	
Degree	Candela
0	12026
5	10742
15	4754
25	1413
35	376
45	97.2

Cat. No: LFXR4-xx-xx-xx-3000-UNV-S1-NN-FPR4-DSS-27-WH-NN-835						
Beam: 27.3°	Peak: 10532 cd	CCT: 3399K	CRI: 82.4	Lumens: 3101	Watts: 24.4	LPW: 127



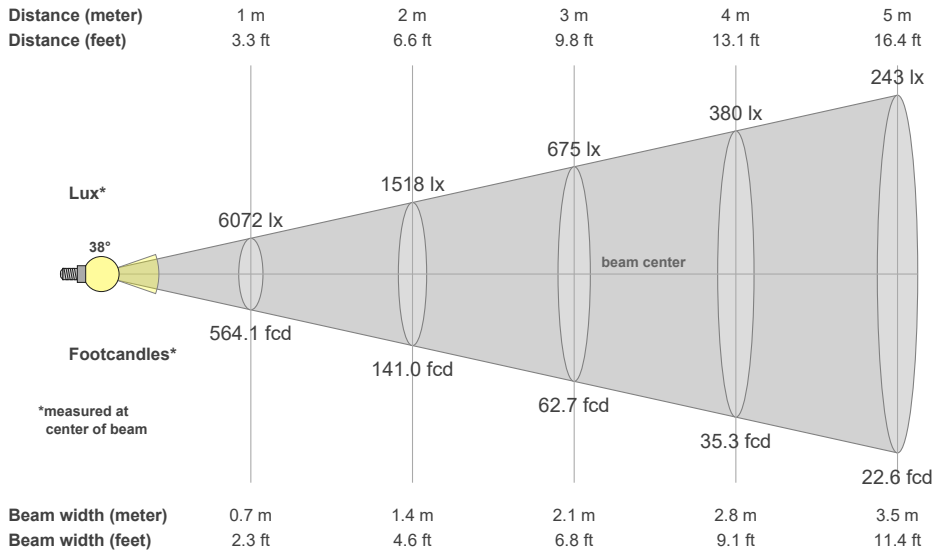
INTENSITY	
Degree	Candela
0	10327
5	9439
15	4680
25	1421
35	342
45	90.0



LaYR 4.0 ROUND FIXED DOWNLIGHTS

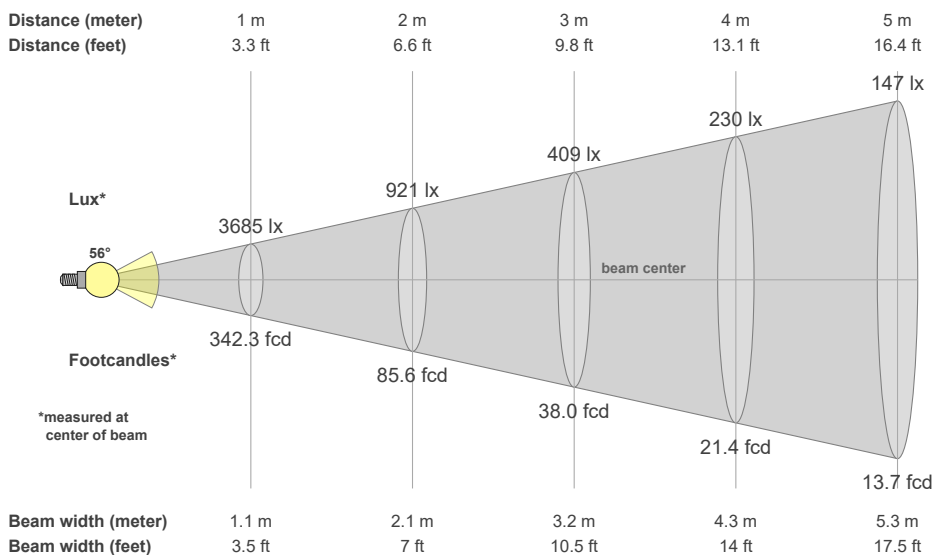
DESIGNER Series (Up to 2000 Lumens)

Cat. No: LFXR4-xx-xx-xx-3000-UNV-S1-NN-FPR4-DSS-38-WH-NN-835						
Beam: 38.3°	Peak: 6125 cd	CCT: 3388K	CRI: 82.3	Lumens: 3008	Watts: 24.4	LPW: 123



INTENSITY	
Degree	Candela
0	6072
5	5813
15	3969
25	1828
35	532
45	157

Cat. No: LFXR4-xx-xx-xx-3000-UNV-S1-NN-FPR4-DSS-55-WH-NN-835						
Beam: 56.3°	Peak: 3702 cd	CCT: 3396K	CRI: 82.4	Lumens: 2883	Watts: 24.4	LPW: 118



INTENSITY	
Degree	Candela
0	3685
5	3612
15	3187
25	2370
35	792
45	79.2

