

THE LaYR 4.0 ROUND FIXED DOWNLIGHTS

PERFORMANCE Series (Up to 4000 Lumens)



Image Above Shown With Deep Smooth Black Baffle and Black Trim Ring

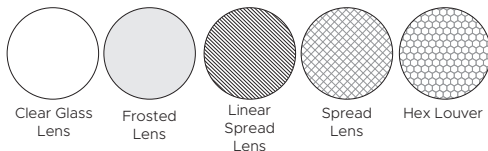


Image Above Shown With Deep Milli-Groove Black Baffle and Black Trim Ring

TRIM & BAFFLE FINISHES



ACCESSORIES



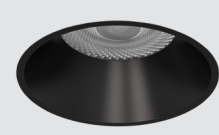
The LaYR 4.0 Round Fixed Performance downlight is a versatile lighting solution that can adapt to different lighting needs and style preferences. Its design includes a 4" aperture with round baffle, offering users 7 distinct optic options to adjust the beam spread. With a lumen output range of 500 to 4000 lumens, it can provide sufficient illumination for various purposes, such as accent lighting or general illumination.

To add to its adaptability, the downlight can be further customized by choosing from a range of baffle and trim finishes, drivers, housings, and accessories. This customization allows users to create a unique downlight that fits their specific requirements and style preferences.

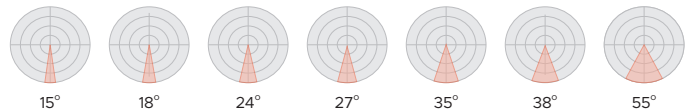
FLANGED TRIM



TRIMLESS



70mm Beam Optics:



SPECIFICATIONS

Performance Series		
lm/W	135	
Lumen Output	500 - 4000lm	
Luminaire Height	5 5/8" up to 3000 / 7 3/16" > 3000 Lumens	
Optic Size	70mm	
Beam Optics	15°, 18°, 24°, 27°, 35°, 38°, 55°	
Baffle Type	Deep Smooth Finish (Depth 1 3/8")	Cut Off Angle - 22° Shielding Angle - 62°
	Deep Milli-Groove (Depth 1 3/8")	Cut Off Angle - 22° Shielding Angle - 62°
Trim Type	Flange Trim, Trimless	
Baffle & Trim Finishes	White, Black, Satin Silver & Champagne	
CRI -80 (2-Step)	35K & 40K	
CRI -90 (2-Step)	27K, 30K, 35K, 40K *90 CRI Option has an R9 Value Greater than 50	
Ceiling Thickness Range	(min) 3/8" - (max) 1 1/2"	
Hole Cut Size	4 3/8" (REM) - 4 1/2" (OF/IC)	
Accessories Options	Hex Louver, Frosted Lens, Linear Spread Lens, Spread Lens, Clear Lens	
Accessories Qty	Up to 2	
Drivers	0-10V, TRIAC, ELV, Lutron Ecosystem, DALI, (Optional Emergency Battery)	
Dimming	1%, 5%, 0.1%	
Voltage	120-277 Volt	
Housing	Non-IC, IC Rated, Remodel	
Lumen Maintenance	80,000	
Power Factor	> .95	
THD	< 20kHz	
Approved Location	Dry/Damp/Wet	
Certifications	UL 1598/UL 2108 Listed US and Canada	

Specifications may change without notice.

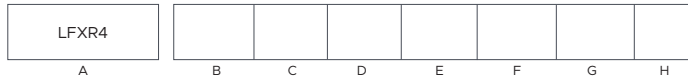
THE LaYR 4.0 ROUND FIXED DOWNLIGHTS

PERFORMANCE Series (Up to 4000 Lumens)



ORDERING GUIDE

HOUSING



LIGHT ENGINE & BAFFLE



OPTIONS

NOTES:



Suitable for Damp locations.



Covered Ceiling Mount Only

HOUSING & DRIVER

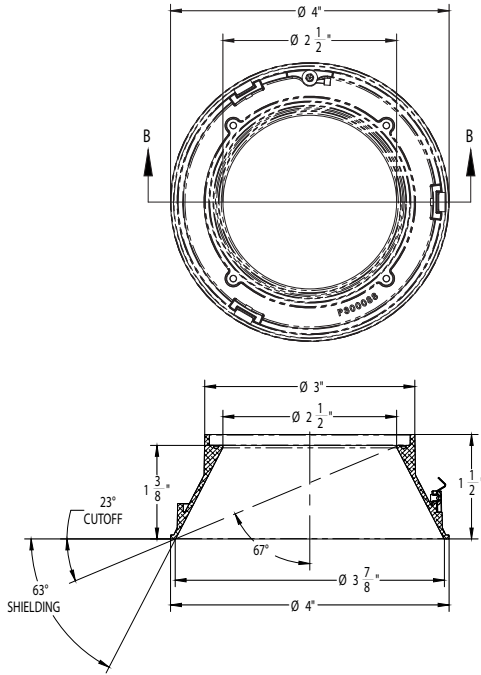
A. MODEL	B. TRIM	C. HOUSING STYLE	D. MOUNTING	E. LUMEN OUTPUT
LFXR4 Round Fixed 4in	FT Flange Trim SF Spackle Flange Trimless MW Millwork	OF Open Frame (Non-IC) (Rough-In Mounting Plate) w/ 5/8" Collar IC IC Rated Housing w/ 5/8" Collar CP Chicago Plenum RM Remodel (Non-IC)	SMB Standard Mounting Bars Min: 14.25" / Max: 26" ACB Adjustable Commercial Bar Hanger (Includes C-Channel Bracket and Heavy Duty Bar Hangers) Min: 11" / Max: 26.75" REM Remodel	500 500 lm, 5W 750 750 lm, 8W 1000 1000 lm, 10W 1250 1250 lm, 12W 1500 1500 lm, 15W 1750 1750 lm, 18W 2000 2000 lm, 22W 2500 2500 lm, 26W 3000 3000 lm, 28W 3500 3500 lm, 34W 4000 4000 lm, 42W
	RM housing Style and REM mounting required for Millwork	Additional ceiling collar depths available in (H) Options below OF and RM Non-IC rated cannot come in contact with insulation.	ACB must be selected at initial order	Narrow spot max is 1500 lm based on Baffle choice see cross reference below 1750 lm max for dual dim. Please see driver matrix for additional details
F. VOLTAGE	G. DRIVER	H. HOUSING OPTIONS (May choose multiple options below)		
UNV 120-277v	S1 1% Dimming (0 - 10v) DD Dual Dimming (2-wire dimming - Triac/ELV/Phase Cut - 5% Dimming) SAX 1% Dim with Aux PEQ Lutron, Hi-Lume Premier EcoSystem 0.1% Fade to Black ELO EldoLED 0.1% Dim to Dark driver DALI DALI 2.0 Compatible	NN NONE EB Emergency Battery (6-Watt) RD Remote Driver (Consult Factory) C1 1" Ceiling Depth Collar C5 1.5" Ceiling Depth Collar AWNRR Lutron Athena Wireless Node (RF- only)		
	SAX Driver Code is required for the Athena Wireless Node	AWNRR Requires SAX Driver Code		

LIGHT ENGINE & BAFFLE

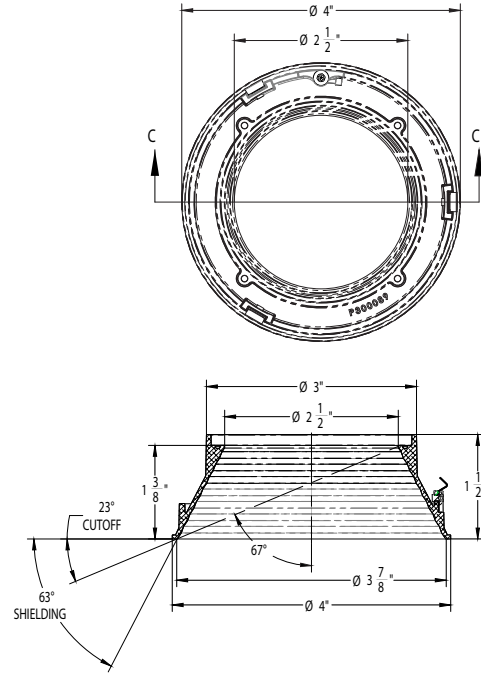
I. LIGHT ENGINE	J. BAFFLE TYPE	K. BEAM OPTICS	BAFFLE/BEAM ANGLE/ MAX LUMENS CROSS REFERENCE																																					
FPR4 Fixed Performance Round 4in 70mm Optic	Flange Trim DSF Deep, Smooth Flanged DMF Deep, Milli-Groove Flanged Spackle Flange Trimless DSS Deep, Smooth Spackle DMS Deep, Milli-Groove Spackle	70mm Optic 15 Narrow Spot 15° 18 Spot 18° 24 Narrow Flood 24° 27 Narrow Flood 27° 35 Flood 35° 38 Flood 38° 55 Wide Flood 55°	<table border="1"> <thead> <tr> <th rowspan="2">BAFFLE TYPE</th> <th colspan="7">Performance 70mm Optic</th> </tr> <tr> <th>15°</th> <th>18°</th> <th>24°</th> <th>27°</th> <th>35°</th> <th>38°</th> <th>55°</th> </tr> </thead> <tbody> <tr> <td>DSF or DSS</td> <td>1500</td> <td>2500</td> <td>4000</td> <td>4000</td> <td>2500</td> <td>4000</td> <td>4000</td> </tr> <tr> <td>DMF or DMS</td> <td>1500</td> <td>2500</td> <td>4000</td> <td>4000</td> <td>2500</td> <td>4000</td> <td>4000</td> </tr> </tbody> </table>							BAFFLE TYPE	Performance 70mm Optic							15°	18°	24°	27°	35°	38°	55°	DSF or DSS	1500	2500	4000	4000	2500	4000	4000	DMF or DMS	1500	2500	4000	4000	2500	4000	4000
BAFFLE TYPE	Performance 70mm Optic																																							
	15°	18°	24°	27°	35°	38°	55°																																	
DSF or DSS	1500	2500	4000	4000	2500	4000	4000																																	
DMF or DMS	1500	2500	4000	4000	2500	4000	4000																																	
		Refer to Beam/Max Lumens cross reference	Note: Maximum Lumens based on 3500K 80CRI test values with no accessories. Beam angles do change with certain accessories																																					
L. BAFFLE FINISH	M. TRIM FINISH	N. CRI COLOR TEMP.	OPTIONS		OPTIONS																																			
WH White BK Black SS Satin Silver CG Champagne CC Custom Color	WH White BK Black SS Satin Silver CG Champagne CC Custom Color NN None (Required with spackle flange Only)	835 80 CRI; 3500K 840 80 CRI; 4000K 927 90 CRI; 2700K 930 90 CRI; 3000K 935 90 CRI; 3500K 940 90 CRI; 4000K *90 CRI Option has an R9 Value Greater than 50	O. ACCESSORIES HL Hex Louver CL Clear Glass FG Frosted Glass SG Striped Glass (Linear Spread) XG Check Glass (Spread)		P. FACTORY OPTIONS SSC Seismic Safety Cable WET Wet Location																																			
	White Black Satin Silver Champagne	NN: Spackle Flange Trimless	Other accessories may be available, consult factory.																																					

FIXTURE DIMENSIONS

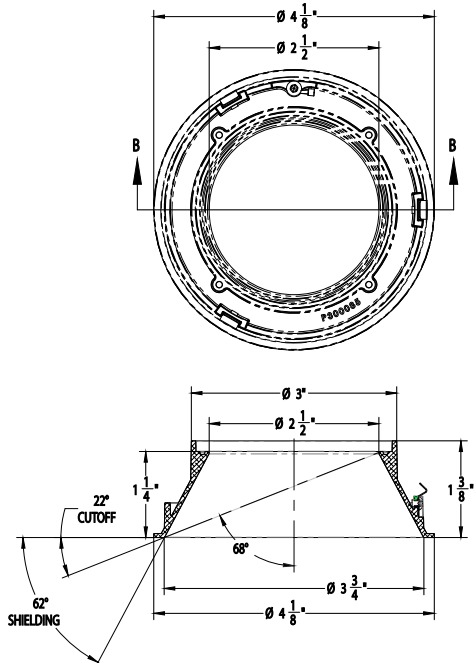
**Trim
Deep Smooth**



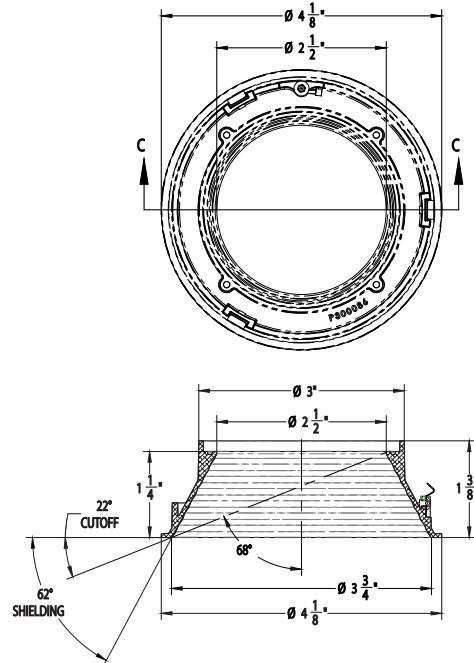
**Trim
Deep Milli-Groove**



**Trimless
Deep Smooth**

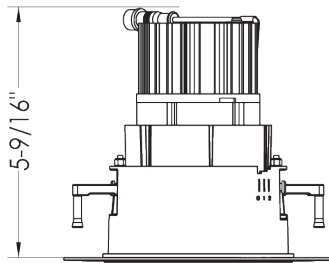


**Trimless
Deep Milli-Groove**

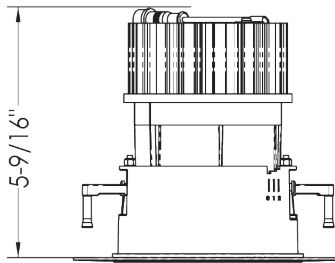


HEAT SINK DIMENSIONS

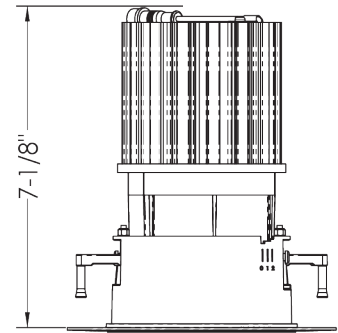
TRIMLESS



LFXR4-SF Up to 2500 Lumens

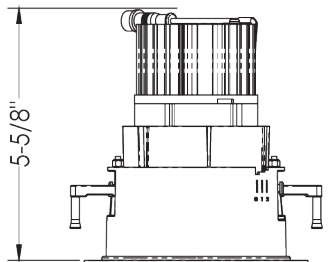


LFXR4-SF Up to 3000 Lumens

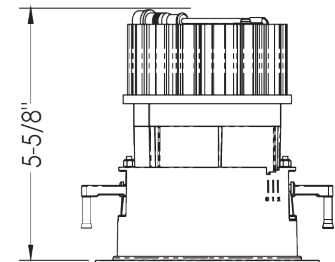


LFXR4-SF Up to 4000 Lumens

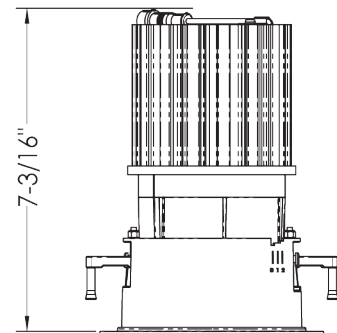
FLANGED TRIM



LFXR4-FT Up to 2000 Lumens



LFXR4-FT Up to 3000 Lumens



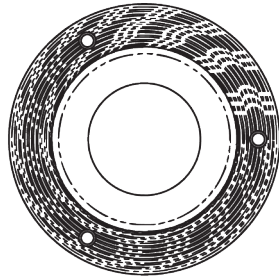
LFXR4-FT Up to 4000 Lumens

HEAT SINK DIMENSIONS

	LUMENS UPTO 2000, 2"IN	LUMENS UPTO 2500, and 3000, 4"IN STD	LUMENS UPTO 3500 and 4000, 4"IN TALL
FPR4 DSS	X		
FPR4 DMS	X		
FPR4 DSF	X		
FPR4 DMF	X		
FPR4 DSS		X	
FPR4 DMS		X	
FPR4 DSF		X	
FPR4 DMF		X	
FPR4 DSS			X
FPR4 DMS			X
FPR4 DSF			X
FPR4 DMF			X

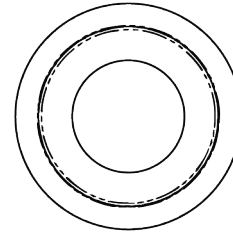


TRIM DIMENSIONS



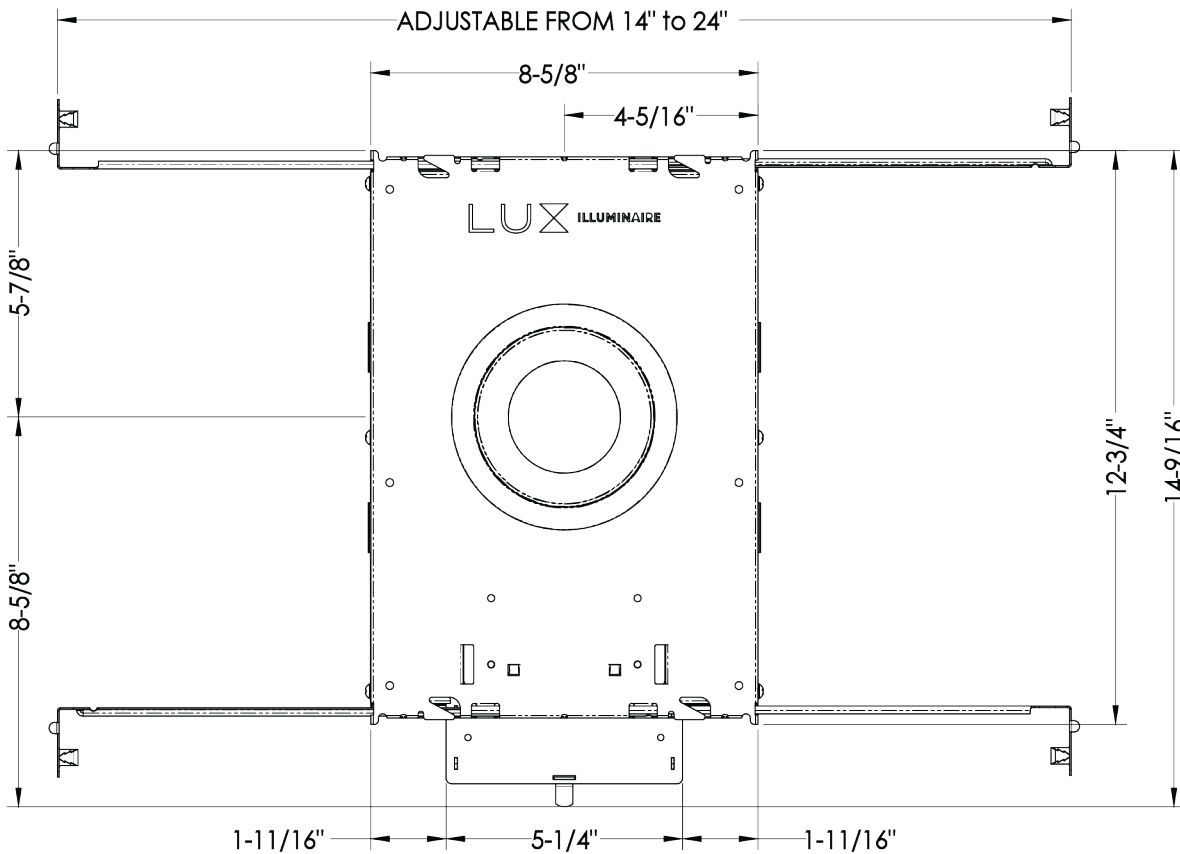
TRIMLESS

CEILING CUTOUT
 4-3/8" (REM) : 4-1/2" (OF/IC)
 CEILING THICKNESS
 (min) 3/8" - (max) 1-1/2"



FLANGE TRIM

CEILING CUTOUT
 4-3/8" (REM) : 4-1/2" (OF/IC)
 CEILING THICKNESS
 (min) 3/8" - (max) 1-1/2"

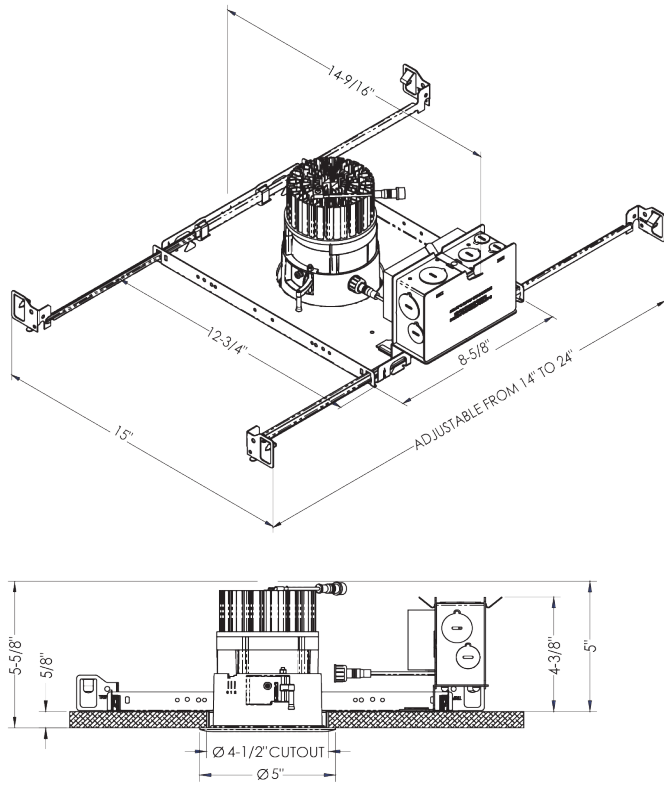


THE LaYR 4.0 ROUND FIXED DOWNLIGHTS

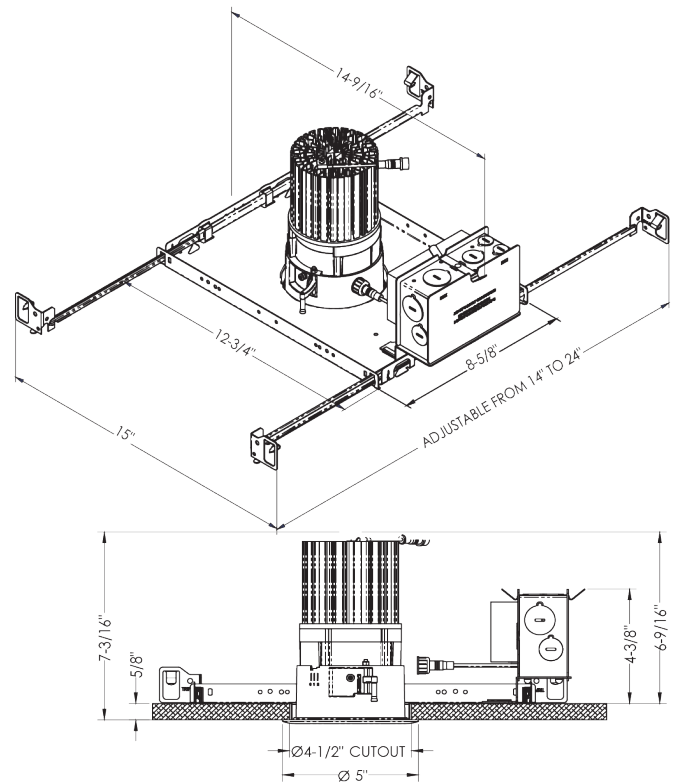
PERFORMANCE Series (Up to 4000 Lumens)

Open Frame

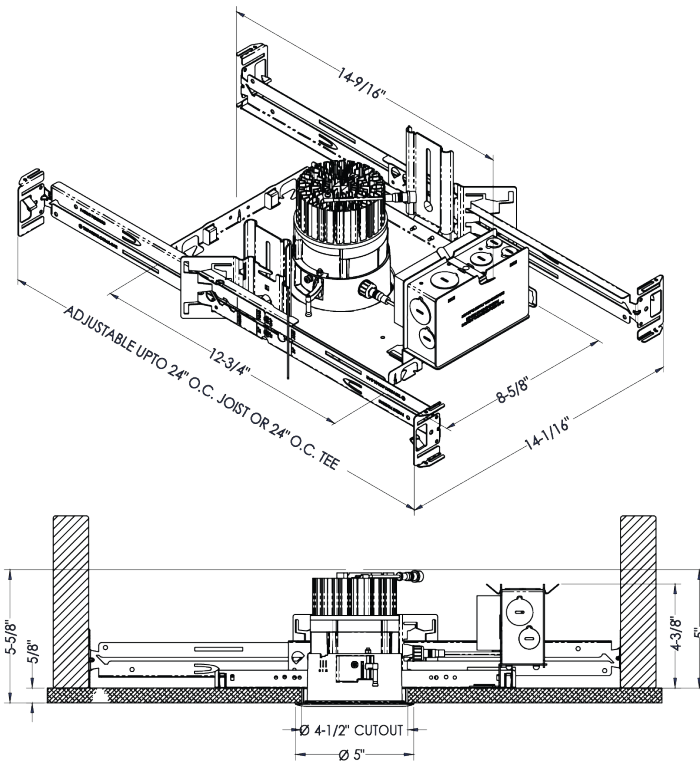
Standard Heat Sink with Standard Mounting Bars (SMB)



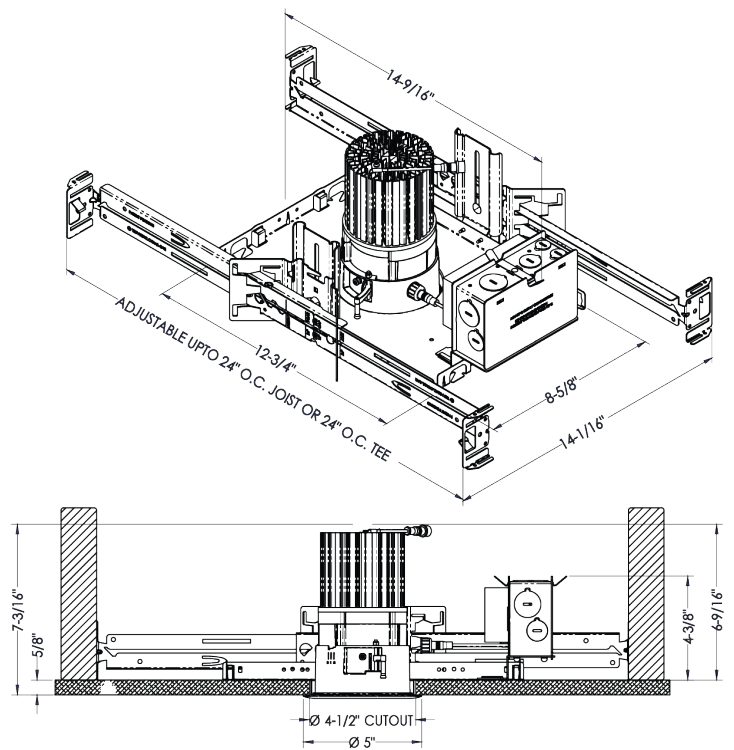
Tall Heat Sink with Standard Mounting Bars (SMB)



Standard Heat Sink with Adjustable Commercial Bar Hanger (ACB)



Tall Heat Sink with Adjustable Commercial Bar Hanger (ACB)

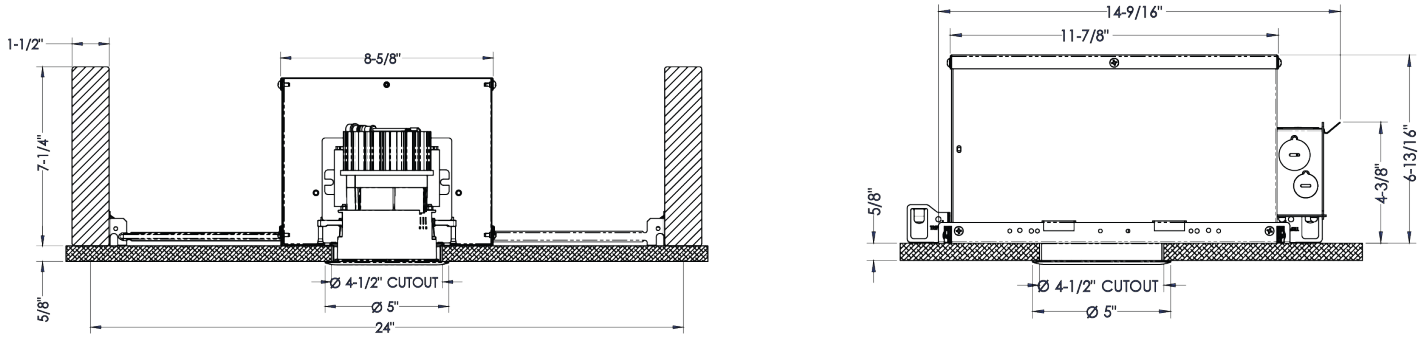


THE LaYR 4.0 ROUND FIXED DOWNLIGHTS

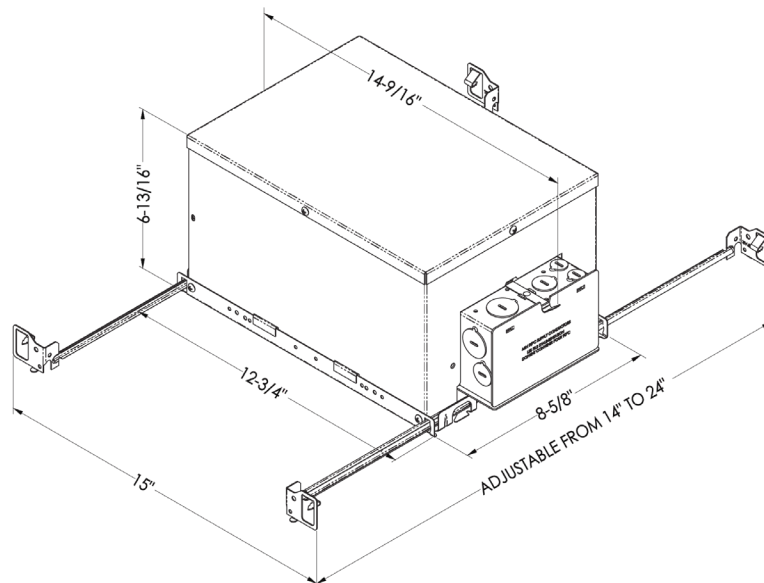
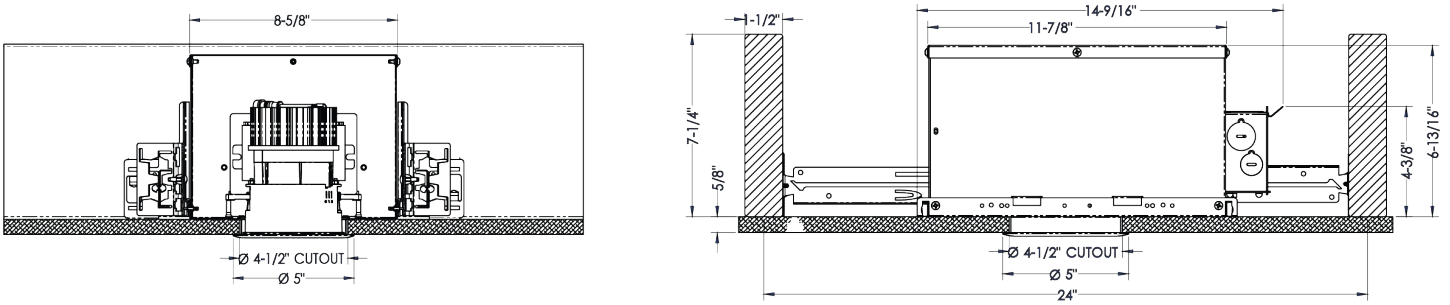
PERFORMANCE Series (Up to 4000 Lumens)

IC Frame

Standard Heat Sink with Standard Mounting Bars (SMB)

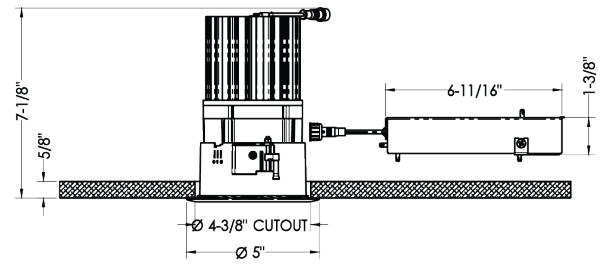
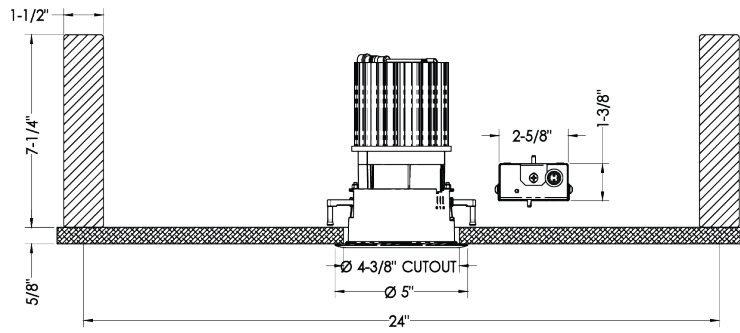


Standard Heat Sink with Adjustable Commercial Bar Hanger (ACB)



THE LaYR 4.0 ROUND FIXED DOWNLIGHTS PERFORMANCE Series (Up to 4000 Lumens)

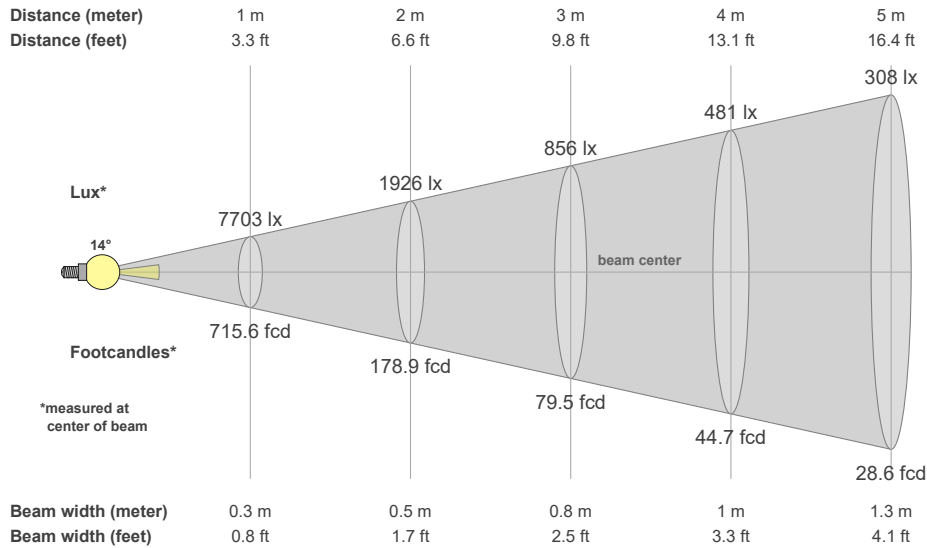
Remodel



THE LaYR 4.0 ROUND FIXED DOWNLIGHTS

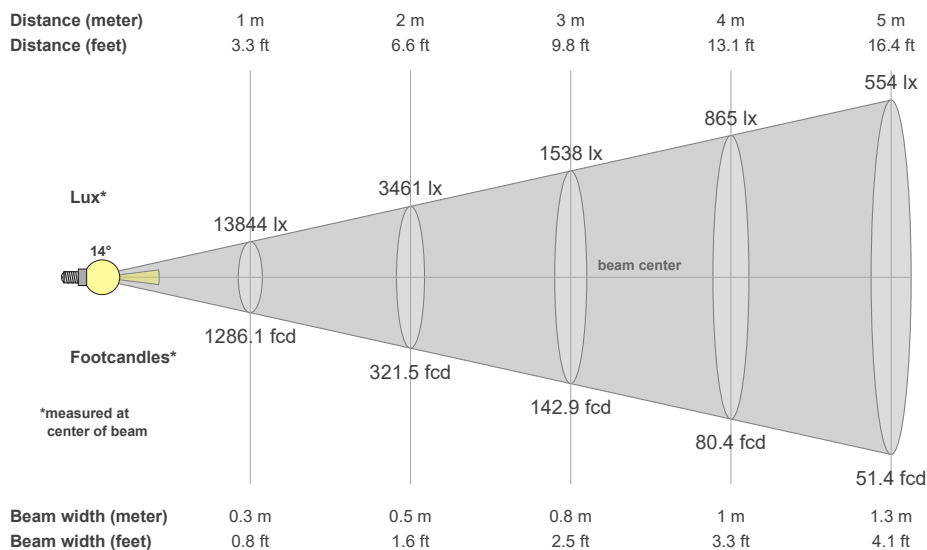
PERFORMANCE Series (Up to 4000 Lumens)

Cat. No: LFXR4-xx-xx-xx-1000-UNV-S1-NN-FPR4-DSS-15-WH-NN-835						
Beam: 14.4°	Peak: 8264 cd	CCT: 3500K	CRI: 83.5	Lumens: 846	Watts: 8.4	LPW: 101



INTENSITY	
Degree	Candela
0	7703
5	5590
15	857
25	161
35	56.9
45	22.1

Cat. No: LFXR4-xx-xx-xx-1500-UNV-S1-NN-FPR4-DSS-15-WH-NN-835						
Beam: 14.3°	Peak: 14446 cd	CCT: 3500K	CRI: 82.6	Lumens: 1471	Watts: 17.6	LPW: 84



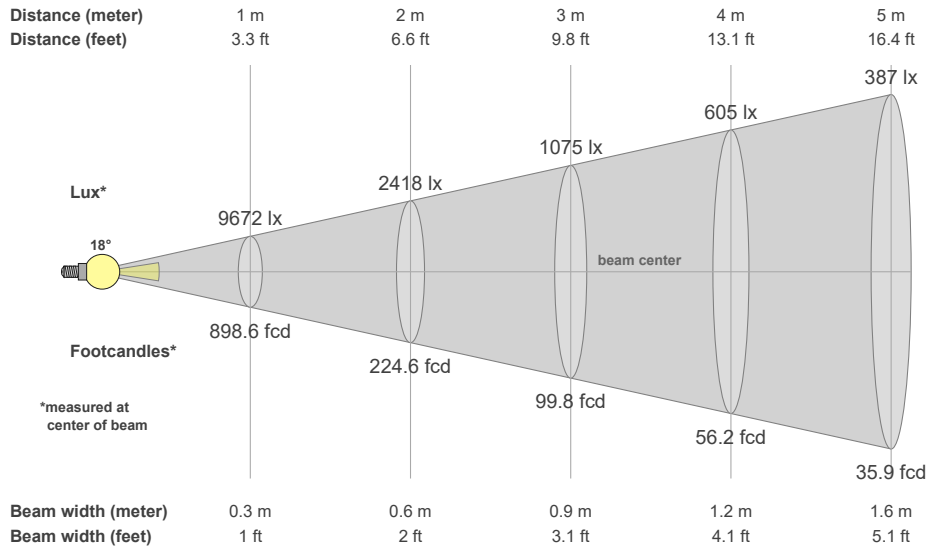
INTENSITY	
Degree	Candela
0	13844
5	9520
15	1436
25	275
35	99.1
45	41.1



THE LaYR 4.0 ROUND FIXED DOWNLIGHTS

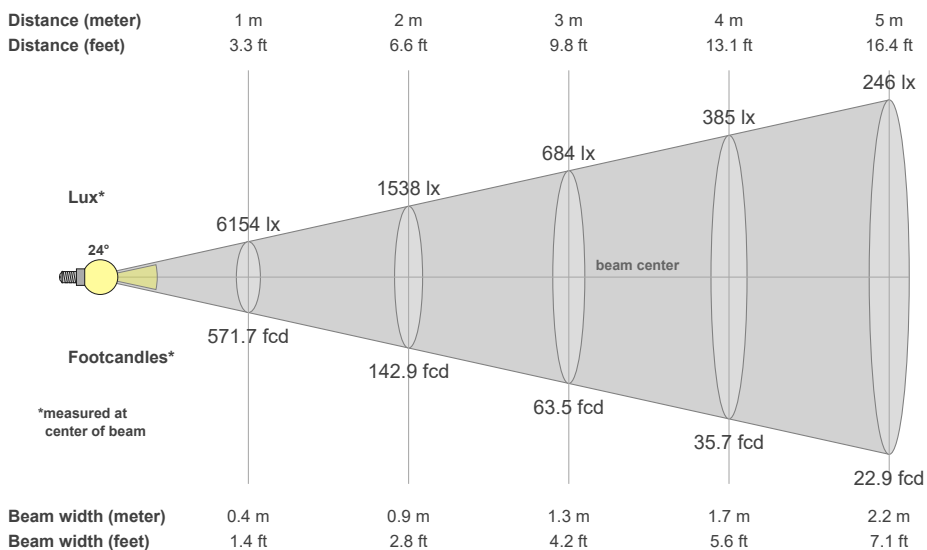
PERFORMANCE Series (Up to 4000 Lumens)

Cat. No: LFXR4-xx-xx-xx-1500-UNV-S1-NN-FPR4-DSS-18-WH-NN-835						
Beam: 17.7°	Peak: 10079 cd	CCT: 3500K	CRI: 84.7	Lumens: 1506	Watts: 12.3	LPW: 123



INTENSITY	
Degree	Candela
0	9672
5	7536
15	1964
25	419
35	129
45	46.2

Cat. No: LFXR4-xx-xx-xx-1500-UNV-S1-NN-FPR4-DSS-24-WH-NN-835						
Beam: 24.3°	Peak: 6318 cd	CCT: 3500K	CRI: 83.4	Lumens: 1599	Watts: 11.8	LPW: 135



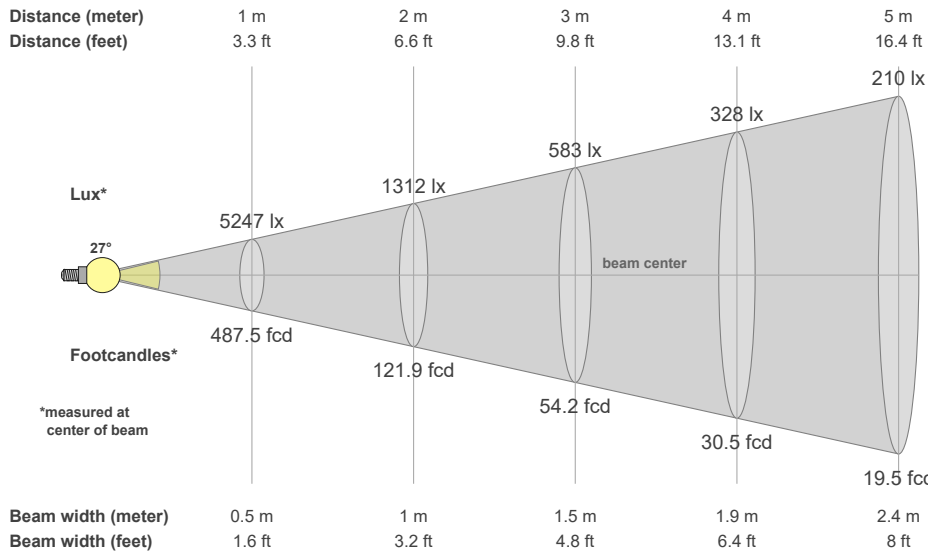
INTENSITY	
Degree	Candela
0	6154
5	5495
15	2423
25	709
35	189
45	49.8



THE LaYR 4.0 ROUND FIXED DOWNLIGHTS

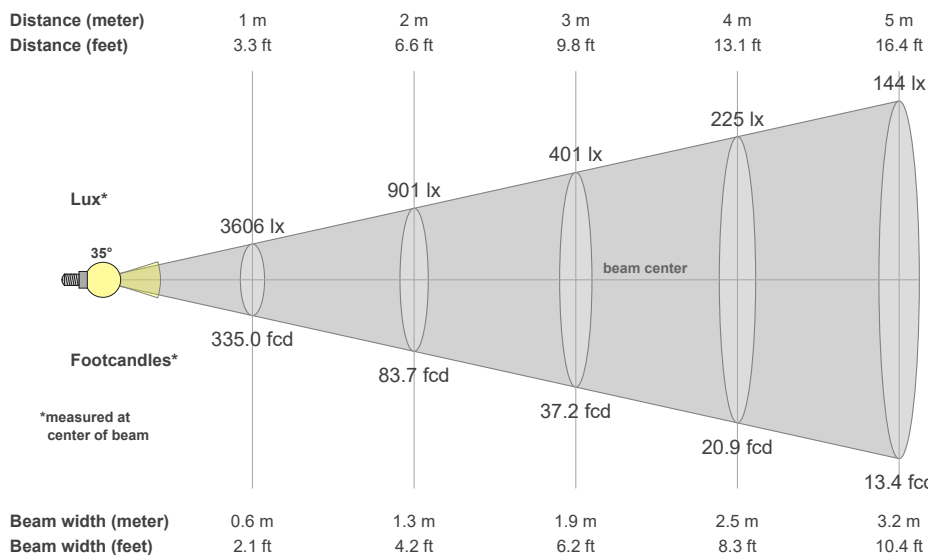
PERFORMANCE Series (Up to 4000 Lumens)

Cat. No: LFXR4-xx-xx-xx-1500-UNV-S1-NN-FPR4-DSS-27-WH-NN-835						
Beam: 27.3°	Peak: 5351 cd	CCT: 3500K	CRI: 82.6	Lumens: 1579	Watts: 11.9	LPW: 133



INTENSITY	
Degree	Candela
0	5247
5	4792
15	2395
25	733
35	174
45	47.3

Cat. No: LFXR4-xx-xx-xx-1500-UNV-S1-NN-FPR4-DSS-35-WH-NN-835						
Beam: 35.2°	Peak: 3627 cd	CCT: 3500K	CRI: 84.8	Lumens: 1461	Watts: 12.3	LPW: 119



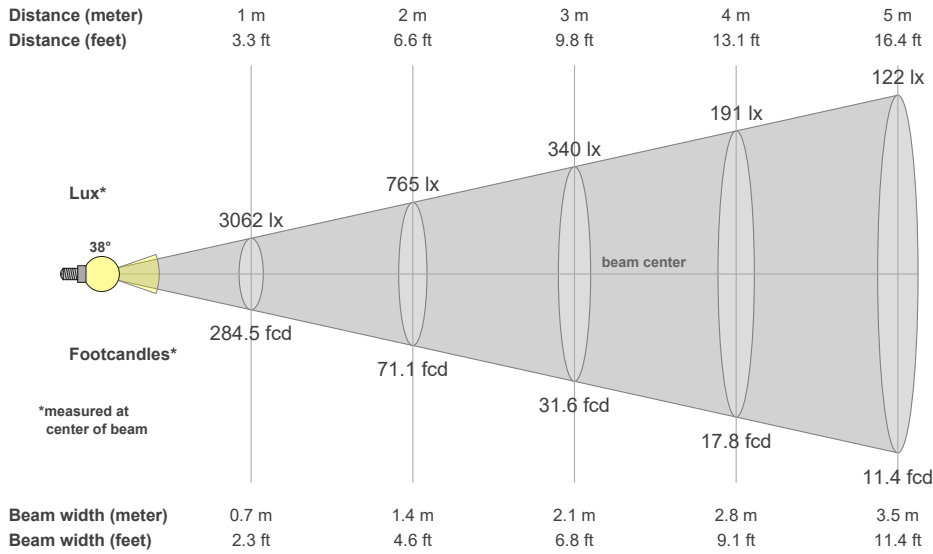
INTENSITY	
Degree	Candela
0	3606
5	3506
15	2290
25	681
35	168
45	53.2



THE LaYR 4.0 ROUND FIXED DOWNLIGHTS

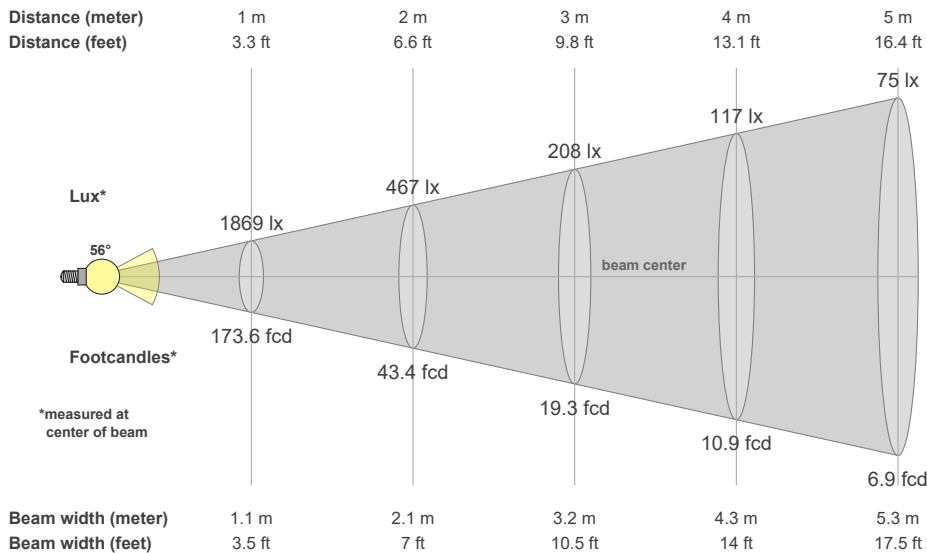
PERFORMANCE Series (Up to 4000 Lumens)

Cat. No: LFXR4-xx-xx-xx-1500-UNV-S1-NN-FPR4-DSS-38-WH-NN-835						
Beam: 38.2°	Peak: 3084 cd	CCT: 3500K	CRI: 82.4	Lumens: 1516	Watts: 11.8	LPW: 128



INTENSITY	
Degree	Candela
0	3062
5	2935
15	1994
25	912
35	263
45	78.4

Cat. No: LFXR4-xx-xx-xx-1500-UNV-S1-NN-FPR4-DSS-55-WH-NN-835						
Beam: 56.2°	Peak: 1878 cd	CCT: 3500K	CRI: 82.6	Lumens: 1463	Watts: 11.8	LPW: 124



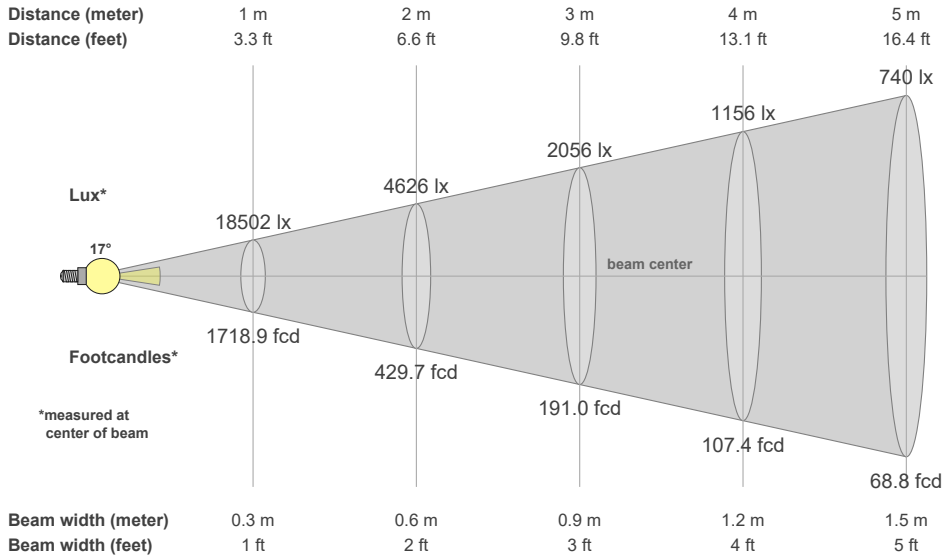
INTENSITY	
Degree	Candela
0	1869
5	1834
15	1621
25	1204
35	401
45	40.5



THE LaYR 4.0 ROUND FIXED DOWNLIGHTS

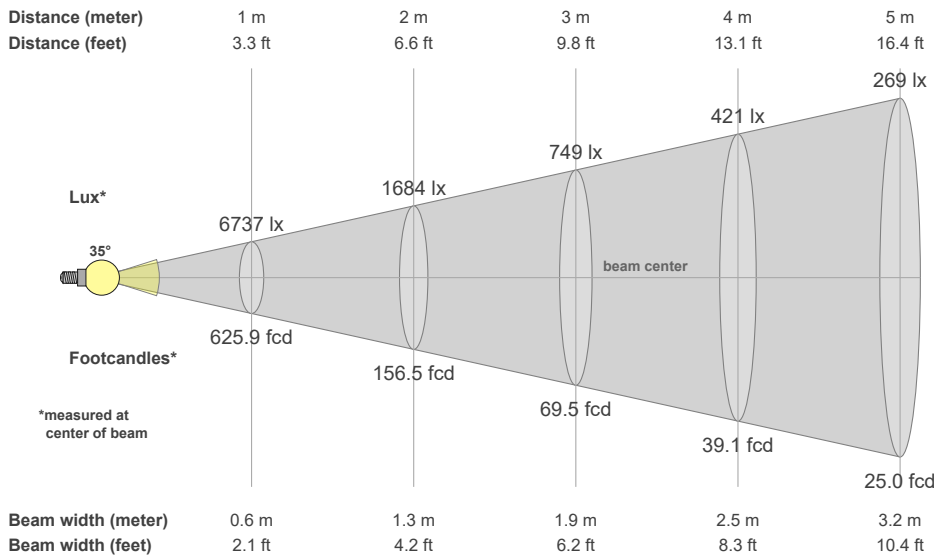
PERFORMANCE Series (Up to 4000 Lumens)

Cat. No: LFXR4-xx-xx-xx-2500-UNV-S1-NN-FPR4-DSS-18-WH-NN-835						
Beam: 17.5°	Peak: 19052 cd	CCT: 3500K	CRI: 84.3	Lumens: 2821	Watts: 25.9	LPW: 109



INTENSITY	
Degree	Candela
0	18502
5	14339
15	3543
25	758
35	240
45	84.9

Cat. No: LFXR4-xx-xx-xx-2500-UNV-S1-NN-FPR4-DSS-35-WH-NN-835						
Beam: 35.2°	Peak: 6773 cd	CCT: 3500K	CRI: 84.3	Lumens: 2727	Watts: 25.9	LPW: 105



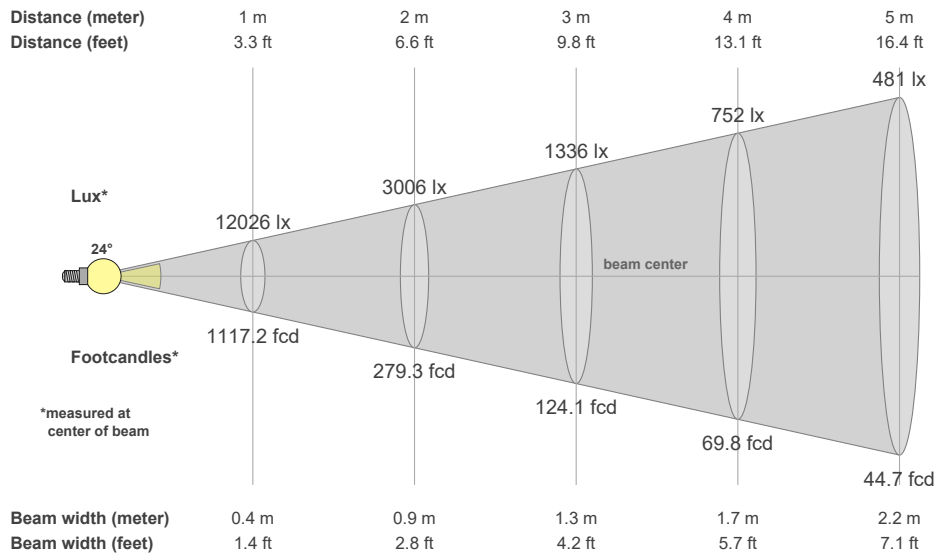
INTENSITY	
Degree	Candela
0	6737
5	6544
15	4279
25	1285
35	315
45	102



THE LaYR 4.0 ROUND FIXED DOWNLIGHTS

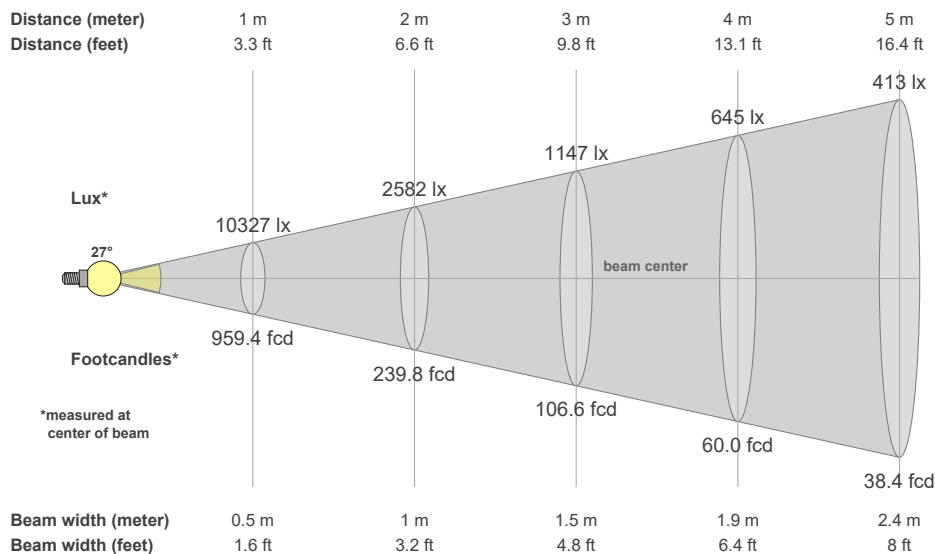
PERFORMANCE Series (Up to 4000 Lumens)

Cat. No: LFXR4-xx-xx-xx-3000-UNV-S1-NN-FPR4-DSS-24-WH-NN-835						
Beam: 24.3°	Peak: 12283 cd	CCT: 3347K	CRI: 83.2	Lumens: 3132	Watts: 24.4	LPW: 128



INTENSITY	
Degree	Candela
0	12026
5	10742
15	4754
25	1413
35	376
45	97.2

Cat. No: LFXR4-xx-xx-xx-3000-UNV-S1-NN-FPR4-DSS-27-WH-NN-835						
Beam: 27.3°	Peak: 10532 cd	CCT: 3399K	CRI: 82.4	Lumens: 3101	Watts: 24.4	LPW: 127



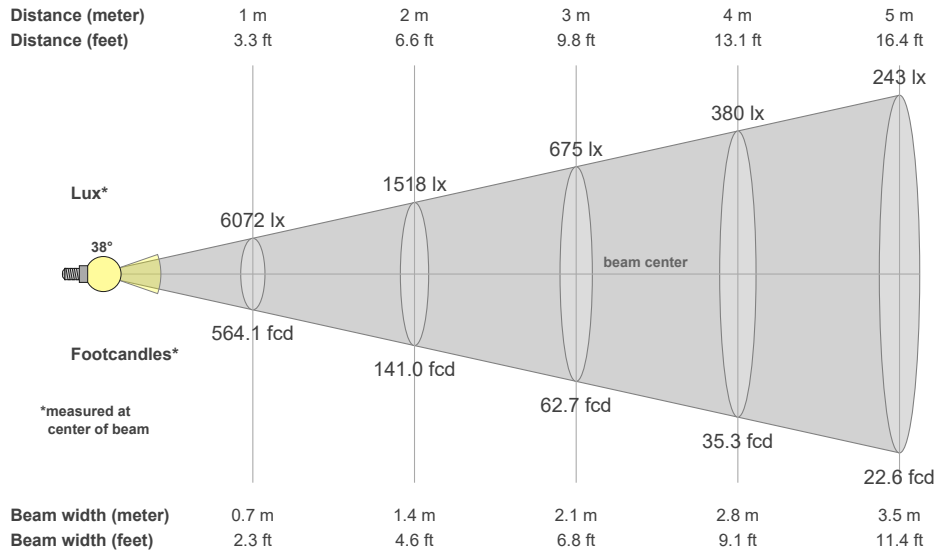
INTENSITY	
Degree	Candela
0	10327
5	9439
15	4680
25	1421
35	342
45	90.0



THE LaYR 4.0 ROUND FIXED DOWNLIGHTS

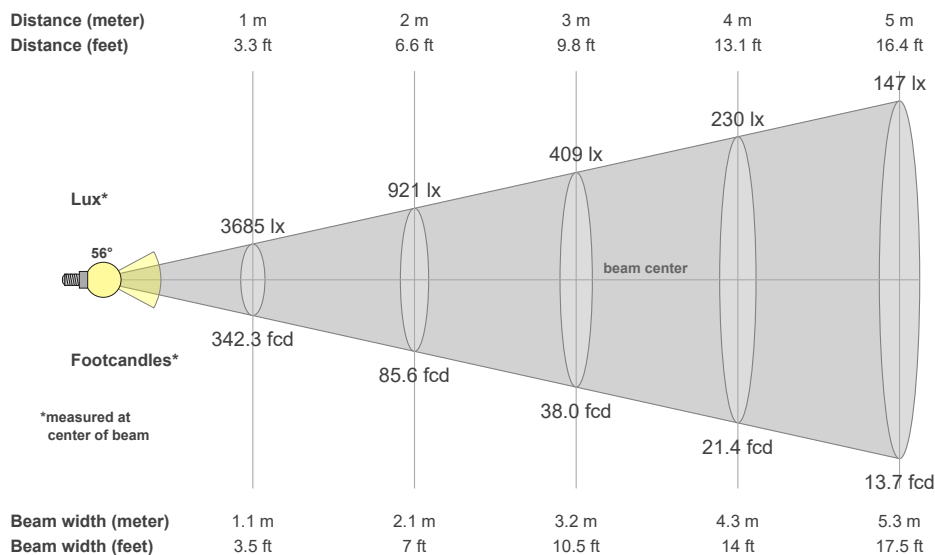
PERFORMANCE Series (Up to 4000 Lumens)

Cat. No: LFXR4-xx-xx-xx-3000-UNV-S1-NN-FPR4-DSS-38-WH-NN-835						
Beam: 38.3°	Peak: 6125 cd	CCT: 3388K	CRI: 82.3	Lumens: 3008	Watts: 24.4	LPW: 123



INTENSITY	
Degree	Candela
0	6072
5	5813
15	3969
25	1828
35	532
45	157

Cat. No: LFXR4-xx-xx-xx-3000-UNV-S1-NN-FPR4-DSS-55-WH-NN-835						
Beam: 56.3°	Peak: 3702 cd	CCT: 3396K	CRI: 82.4	Lumens: 2883	Watts: 24.4	LPW: 118



INTENSITY	
Degree	Candela
0	3685
5	3612
15	3187
25	2370
35	792
45	79.2

