

# LaYR 4.0 SQUARE FIXED DOWNLIGHTS

## DESIGNER / PERFORMANCE Series (Up to 4000 Lumens)



Image Above Shown With Designer 70mm Square Optic, Deep Smooth Flange, Black Baffle, and Black Trim Ring

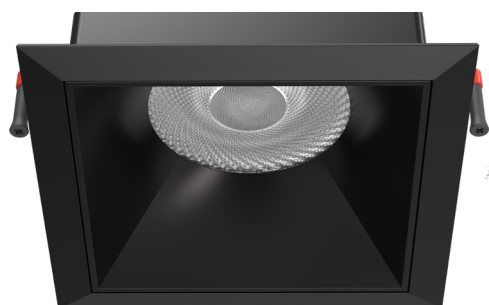
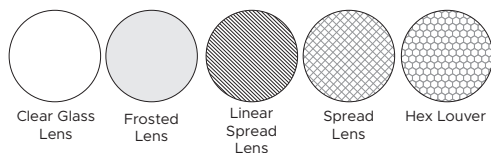


Image Above Shown With Performance 70mm Round Optic, Deep Smooth Flange, Black Baffle, and Black Trim Ring

### TRIM & BAFFLE FINISHES



### ACCESSORIES

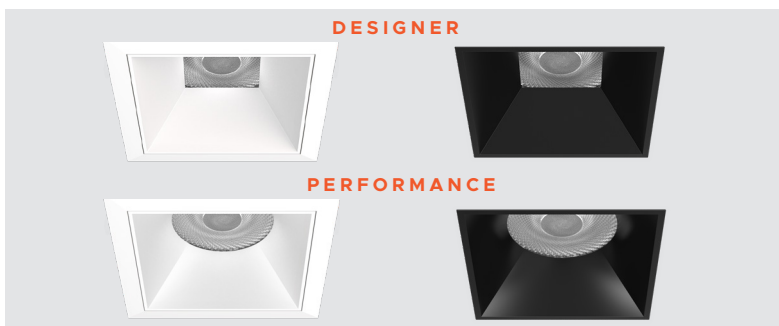


The LaYR 4.0 Square Fixed Designer and Performance downlight is a versatile lighting solution that can adapt to different lighting needs and style preferences. Its design includes a 4" aperture with square baffle, offering users 7 distinct optic options to adjust the beam spread. With a lumen output range of 500 to 4000 lumens, it can provide sufficient illumination for various purposes, such as accent lighting or general illumination.

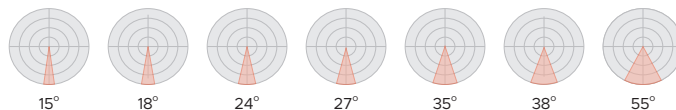
To add to its adaptability, the downlight can be further customized by choosing from a range of baffle and trim finishes, drivers, housings, and accessories. This customization allows users to create a unique downlight that fits their specific requirements and style preferences.

### FLANGED TRIM

### TRIMLESS



### 70mm Beam Optics:



### SPECIFICATIONS

	Designer	Performance
lm/W	135	135
Lumen Output	500 - 4000lm	500 - 4000lm
Luminaire Height	5 3/8" up to 3000 / 6 15/16" >3001 Lumens	5 3/8" up to 3000 / 6 15/16" >3001 Lumens
Optic Size	70mm	70mm
Aperture @ Optic	Square	Round
Beam Optics	15°, 18°, 24°, 27°, 35°, 38°, 55°	15°, 18°, 24°, 27°, 35°, 38°, 55°
Baffle Type	Deep Smooth Finish (Depth 1 3/8")	Deep Smooth Finish (Depth 1 3/8")
	Cut Off Angle - 24° Shielding Angle - 52°	Cut Off Angle - 21° Shielding Angle - 61°
Trim Type	Flange Trim, Trimless	
Baffle & Trim Finishes	White, Black, Satin Silver & Champagne	
CRI - 80 (2-Step)	35K & 40K	
CRI - 90 (2-Step)	27K, 30K, 35K, 40K *90 CRI Option has an R9 Value Greater than 50	
Ceiling Thickness Range	(min) 3/8" - (max) 1 1/2"	
Hole Cut Size	4 3/8"(REM) - 4 1/2"(OF/IC)	
Accessories Options	Hex Louver, Frosted Lens, Linear Spread Lens, Spread Lens, Clear Lens	
Accessories Qty	Up to 2	
Drivers	0-10V, TRIAC, ELV, Lutron Ecosystem, DALI, (Optional Emergency Battery)	
Dimming	1%, 5%, 0.1%	
Voltage	120-277 Volt	
Housing	Non-IC, IC Rated, Remodel	
Lumen Maintenance	80,000	
Power Factor	> .95	
THD	< 20kHz	
Approved Location	Dry/Damp/Wet	
Certifications	UL 1598/UL 2108 Listed US and Canada	

Specifications may change without notice.

# LaYR 4.0 SQUARE FIXED DOWNLIGHTS DESIGNER / PERFORMANCE Series (Up to 4000 Lumens)

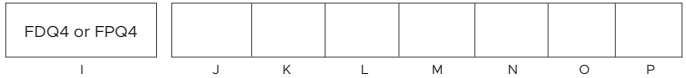


## Ordering Guide

### HOUSING



### LIGHT ENGINE & BAFFLE



### OPTIONS

NOTES:



Suitable for Damp locations.



Covered Ceiling Mount Only

### HOUSING & DRIVER

A. MODEL	B. TRIM	C. HOUSING STYLE	D. MOUNTING	E. LUMEN OUTPUT
LFXQ4 Square Fixed 4in	FT Flange Trim SF Spackle Flange Trimless MW Millwork	OF Open Frame (Non-IC) (Rough-In Mounting Plate) w/ 5/8" Collar  IC IC Rated Housing w/ 5/8" Collar  CP Chicago Plenum  RM Remodel (Non-IC) . . . . .	SMB Standard Mounting Bars Min: 14.25" / Max: 26"  ACB Adjustable Commercial Bar Hanger (Includes C-Channel Bracket and Heavy Duty Bar Hangers) Min: 11" / Max: 26.75"  REM Remodel	500 500 lm, 5W 750 750 lm, 8W 1000 1000 lm, 10W 1250 1250 lm, 12W 1500 1500 lm, 15W 1750 1750 lm, 18W 2000 2000 lm, 22W 2500 2500 lm, 26W 3000 3000 lm, 28W 3500 3500 lm, 34W 4000 4000 lm, 42W

	RM housing Style and REM mounting required for Millwork	Additional ceiling collar depths available in (H) Options below  OF and RM Non-IC rated cannot come in contact with insulation.	ACB must be selected at initial order	Narrow spot max is 1500 lm based on Baffle choice see cross reference below  1750 lm max for dual dim.  Please see driver matrix for additional details
--	---	---	---------------------------------------	---

F. VOLTAGE	H. HOUSING OPTIONS (May choose multiple options below)
UNV 120-277v	NN NONE EB Emergency Battery (6-Watt) RD Remote Driver (Consult Factory) C1 1" Ceiling Depth Collar C5 1.5" Ceiling Depth Collar AWNR Lutron Athena Wireless Node (RF- only)

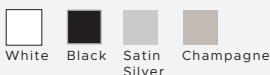
SAX Driver Code is required for the Athena Wireless Node 1750 lm max for dual dim.	AWNR Requires SAX Driver Code
---	-------------------------------

### LIGHT ENGINE & BAFFLE

I. LIGHT ENGINE	J. BAFFLE TYPE	K. BEAM OPTICS	BAFFLE/BEAM ANGLE/ MAX LUMENS CROSS REFERENCE																																														
FDQ4 Fixed Designer Square 4in 70mm Optic (QQ) Square/Square	Flange Trim QQF Deep, Smooth Flanged  Spackle Flange Trimless QQS Deep, Smooth Spackle	70mm Optic 15 Narrow Spot 15° 18 Spot 18° 24 Narrow Flood 24° 27 Narrow Flood 27° 35 Flood 35° 38 Flood 38° 55 Wide Flood 55° 55 Wide Flood 55°	<table border="1"> <thead> <tr> <th rowspan="2">BAFFLE TYPE</th> <th colspan="7">Designer Square/Square 70mm Optic</th> </tr> <tr> <th>15°</th> <th>18°</th> <th>24°</th> <th>27°</th> <th>35°</th> <th>38°</th> <th>55°</th> </tr> </thead> <tbody> <tr> <td>QQF or QQS</td> <td>1500</td> <td>2500</td> <td>4000</td> <td>4000</td> <td>2500</td> <td>4000</td> <td>4000</td> </tr> </tbody> </table> <table border="1"> <thead> <tr> <th rowspan="2">BAFFLE TYPE</th> <th colspan="7">Performance Square/Round 70mm Optic</th> </tr> <tr> <th>15°</th> <th>18°</th> <th>24°</th> <th>27°</th> <th>35°</th> <th>38°</th> <th>55°</th> </tr> </thead> <tbody> <tr> <td>QRF or QRS</td> <td>1500</td> <td>2500</td> <td>4000</td> <td>4000</td> <td>2500</td> <td>4000</td> <td>4000</td> </tr> </tbody> </table>	BAFFLE TYPE	Designer Square/Square 70mm Optic							15°	18°	24°	27°	35°	38°	55°	QQF or QQS	1500	2500	4000	4000	2500	4000	4000	BAFFLE TYPE	Performance Square/Round 70mm Optic							15°	18°	24°	27°	35°	38°	55°	QRF or QRS	1500	2500	4000	4000	2500	4000	4000
BAFFLE TYPE	Designer Square/Square 70mm Optic																																																
	15°	18°	24°	27°	35°	38°	55°																																										
QQF or QQS	1500	2500	4000	4000	2500	4000	4000																																										
BAFFLE TYPE	Performance Square/Round 70mm Optic																																																
	15°	18°	24°	27°	35°	38°	55°																																										
QRF or QRS	1500	2500	4000	4000	2500	4000	4000																																										

Refer to Beam/Max Lumens cross reference Note: Maximum Lumens based on 3500K 80CRI test values with no accessories. Beam angles do change with certain accessories

L. BAFFLE FINISH	M. TRIM FINISH	N. CRI COLOR TEMP.	OPTIONS	OPTIONS
WH White BK Black SS Satin Silver CG Champagne CC Custom Color	WH White BK Black SS Satin Silver CG Champagne CC Custom Color  NN None (Required with spackle flange Only)	835 80 CRI; 3500K 840 80 CRI; 4000K  927 90 CRI; 2700K 930 90 CRI; 3000K 935 90 CRI; 3500K 940 90 CRI; 4000K  *90 CRI Option has an R9 Value Greater than 50	O. ACCESSORIES HL Hex Louver CL Clear Glass FG Frosted Glass SG Striped Glass (Linear Spread) XG Check Glass (Spread)	P. FACTORY OPTIONS SSC Seismic Safety Cable WET Wet Location

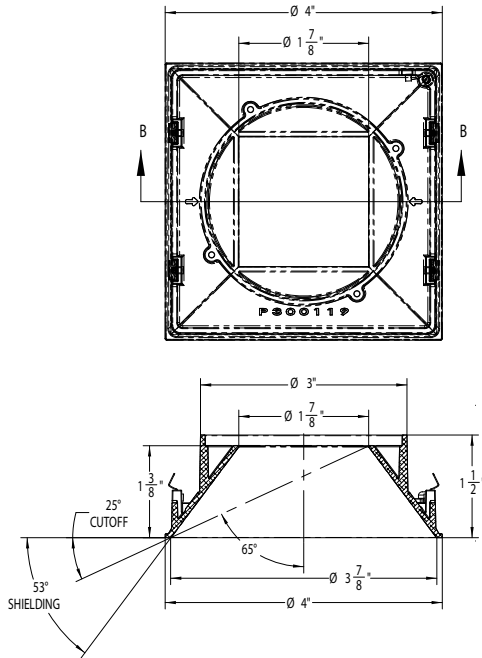


NN: Spackle Flange Trimless	Other accessories may be available, consult factory.
-----------------------------	--

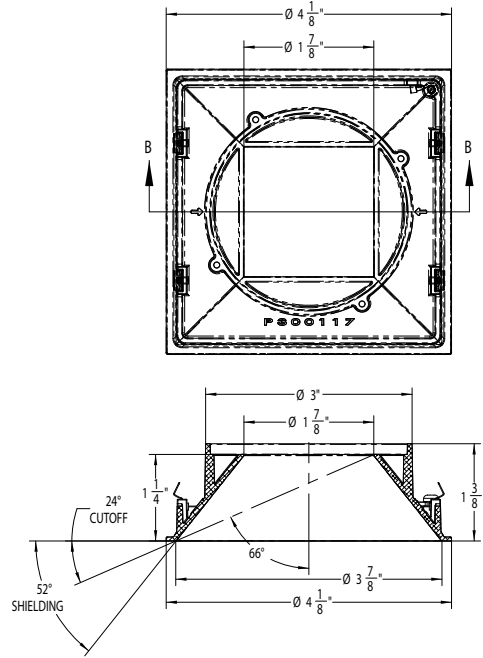
Specifications may change without notice.

**FIXTURE DIMENSIONS**

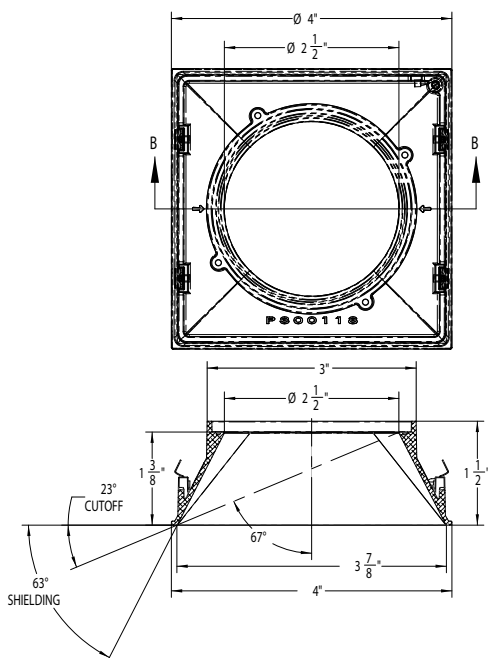
**Trim  
Deep Smooth  
Designer**



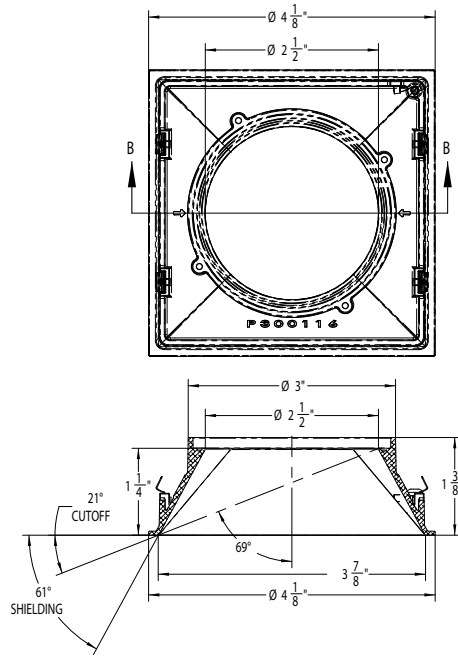
**Trimless  
Deep Smooth  
Designer**



**Trim  
Deep Smooth  
Performance**



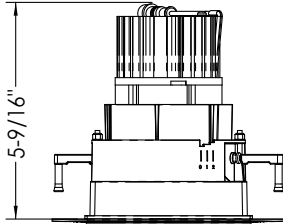
**Trimless  
Deep Smooth  
Performance**



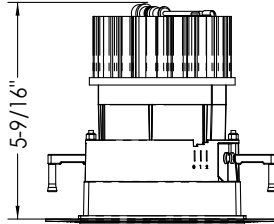
HEAT SINK DIMENSIONS

Designer Series

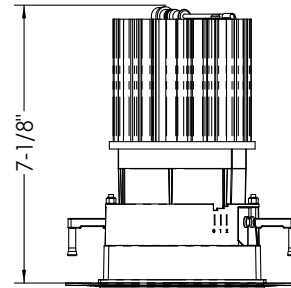
TRIMLESS



LFXQ4-SF Up to 2000 Lumens



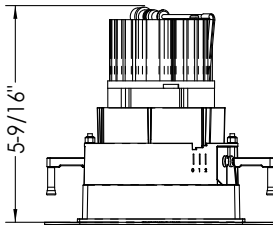
LFXQ4-SF Up to 3000 Lumens



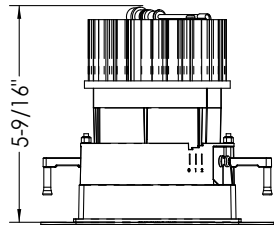
LFXQ4-SF Up to 4000 Lumens

Performance Series

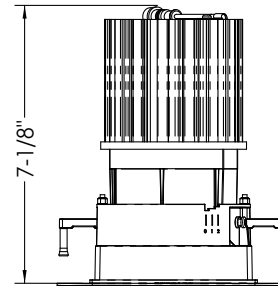
TRIMLESS



LFXQ4-FT Up to 2000 Lumens



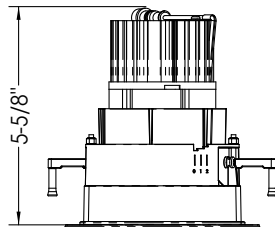
LFXQ4-FT Up to 3000 Lumens



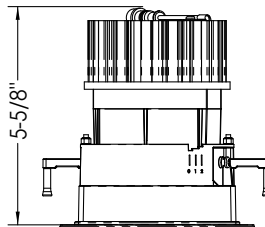
LFXQ4-FT Up to 4000 Lumens

Designer Series

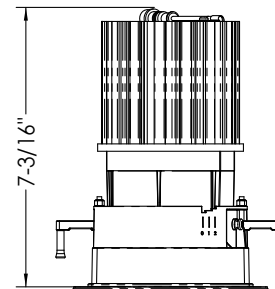
FLANGED TRIM



LFXQ4-SF Up to 2000 Lumens



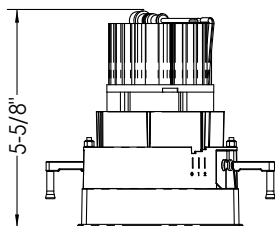
LFXQ4-SF Up to 3000 Lumens



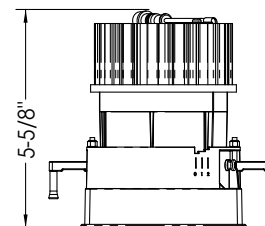
LFXQ4-SF Up to 4000 Lumens

Performance Series

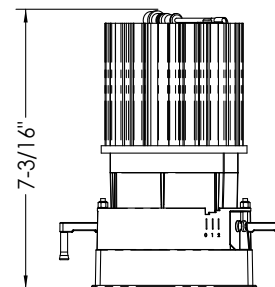
FLANGED TRIM



LFXQ4-FT Up to 2000 Lumens



LFXQ4-FT Up to 3000 Lumens



LFXQ4-FT Up to 4000 Lumens

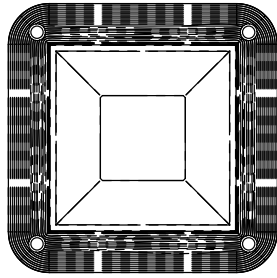


**HEAT SINK DIMENSIONS**

HEAT SINK DIMENSIONS			
	LUMENS UPTO 2000, 2"IN	LUMENS UPTO 2500, and 3000, 4"IN STD	LUMENS UPTO 3500 and 4000, 4"IN TALL
FDQR QQF	X		
FDQR QQS	X		
FDQR QRF	X		
FDQR QRS	X		
FDQR QQF		X	
FDQR QQS		X	
FDQR QRF		X	
FDQR QRS		X	
FDQR QQF			X
FDQR QQS			X
FDQR QRF			X
FDQR QRS			X

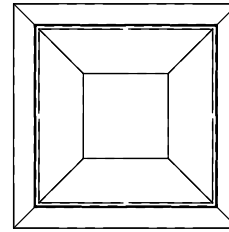


**TRIM DIMENSIONS**



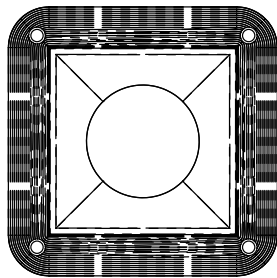
**TRIMLESS DESIGNER**

CEILING CUTOUT  
 4-3/8" (REM) : 4-1/2" (OF/IC)  
 CEILING THICKNESS  
 (min) 3/8" - (max) 1-1/2"



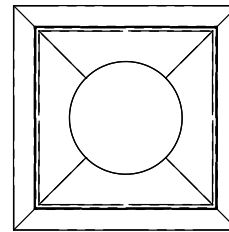
**FLANGE TRIM DESIGNER**

CEILING CUTOUT  
 4-3/8" (REM) : 4-1/2" (OF/IC)  
 CEILING THICKNESS  
 (min) 3/8" - (max) 1-1/2"



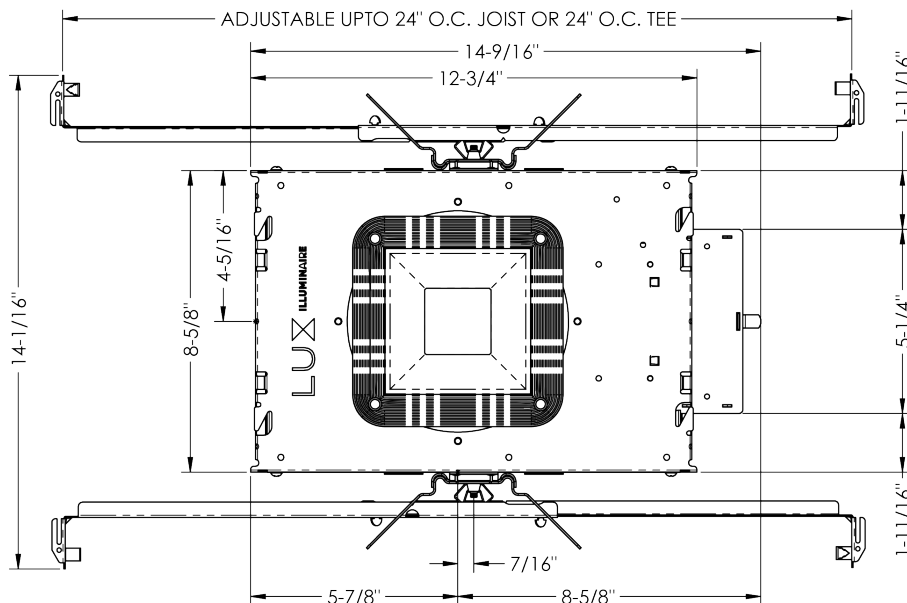
**TRIMLESS PERFORMANCE**

CEILING CUTOUT  
 4-3/8" (REM) : 4-1/2" (OF/IC)  
 CEILING THICKNESS  
 (min) 3/8" - (max) 1-1/2"



**FLANGE TRIM PERFORMANCE**

CEILING CUTOUT  
 4-3/8" (REM) : 4-1/2" (OF/IC)  
 CEILING THICKNESS  
 (min) 3/8" - (max) 1-1/2"

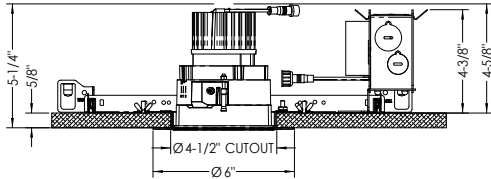
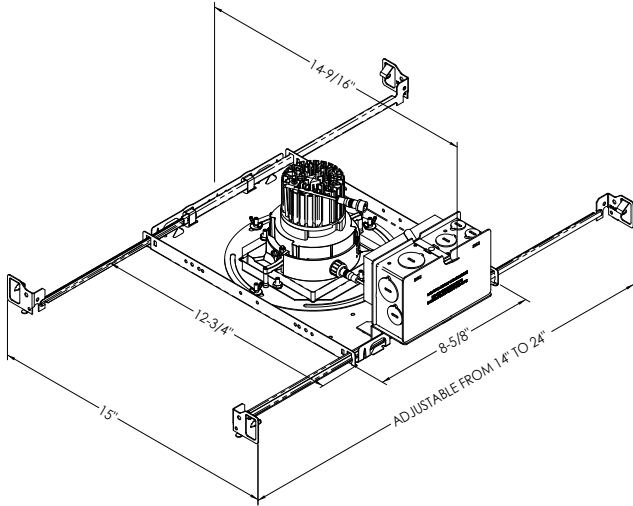


# LaYR 4.0 SQUARE FIXED DOWNLIGHTS

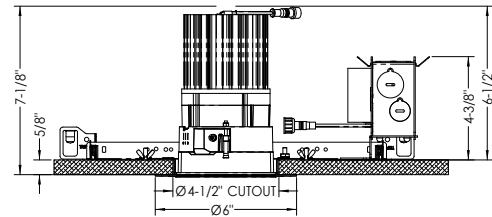
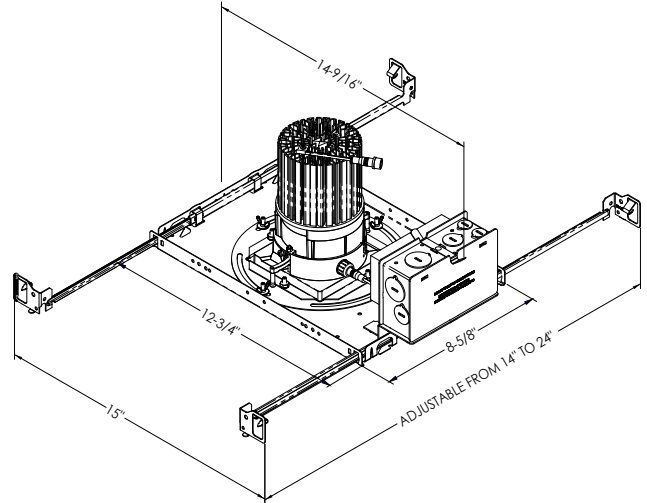
## DESIGNER / PERFORMANCE Series (Up to 4000 Lumens)

### Open Frame

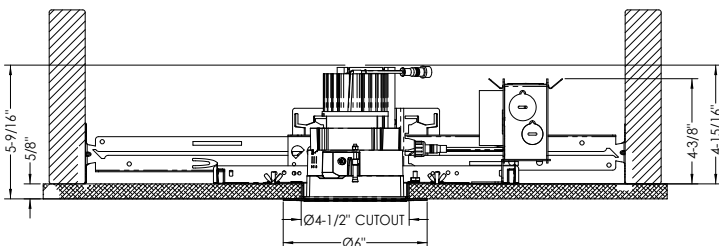
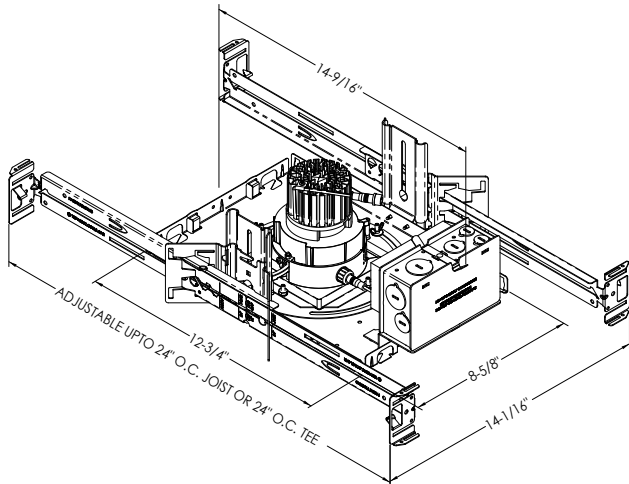
Standard Heat Sink with Standard Mounting Bars (SMB)



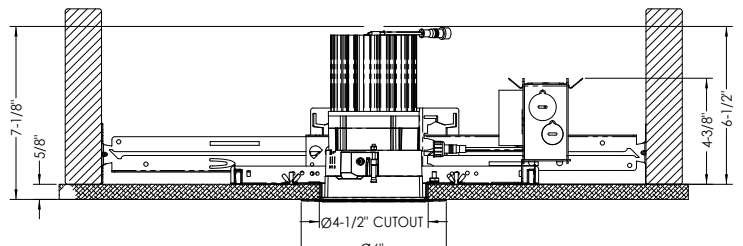
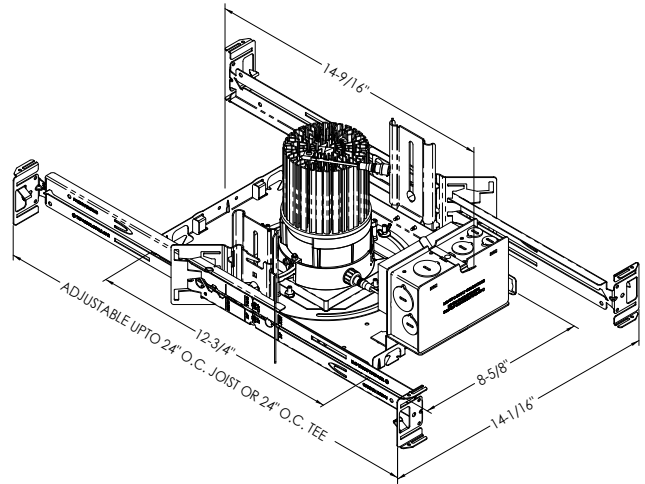
Tall Heat Sink with Standard Mounting Bars (SMB)



Standard Heat Sink with Adjustable Commercial Bar Hanger (ACB)

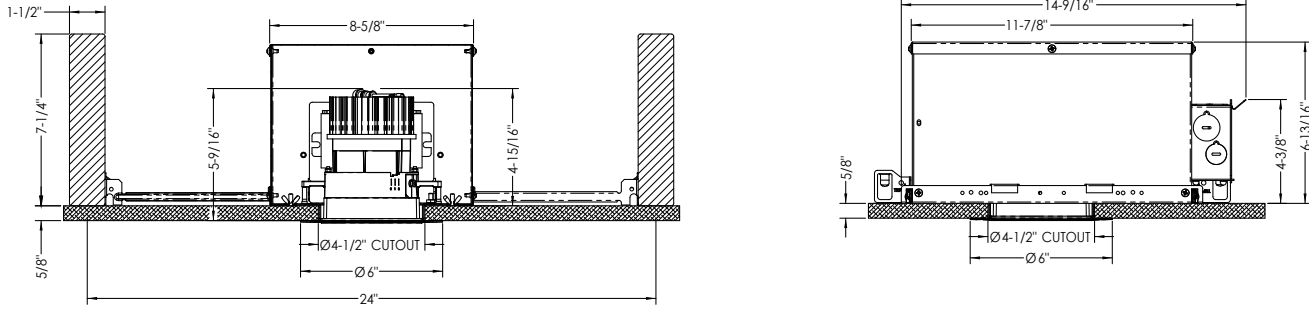


Tall Heat Sink with Adjustable Commercial Bar Hanger (ACB)

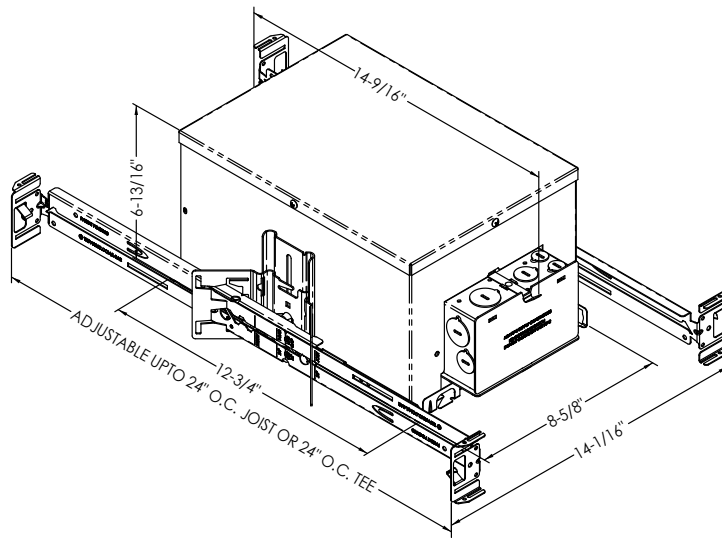
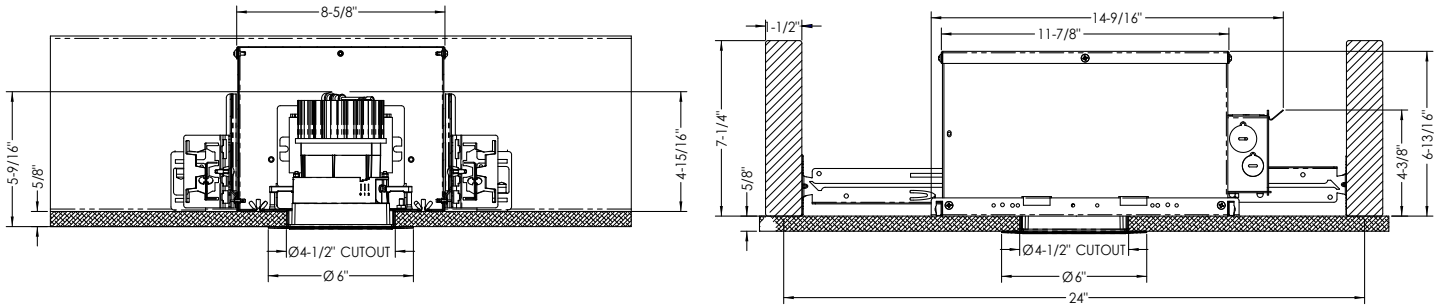


**IC Frame**

Standard Heat Sink with Standard Mounting Bars (SMB)



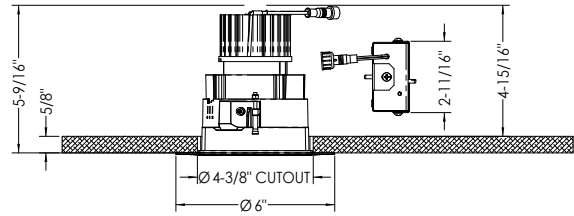
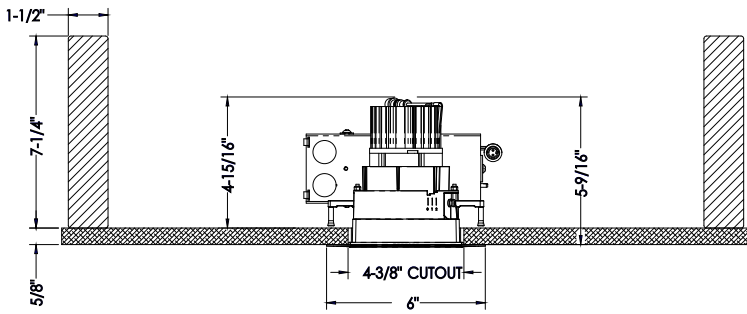
Standard Heat Sink with Adjustable Commercial Bar Hanger (ACB)





**Remodel**

**Standard Heat Sink**



**Tall Heat Sink**

