

STANDARD FINISHES
Black, White, & Silver

LUX | **ENABLED**



Covered Ceiling Mount Only

UP TO 109 lm/W PERFORMANCE

DIRECT LIGHT	WATTS PER FOOT
375 lm/ft	3.43
500 lm/ft	4.63
750 lm/ft	7.08
1000 lm/ft	9.63

Performance based on 4-foot luminaire at 4,000K @ 25-degrees C

LIGHT LOSS FACTOR

CCT	CRI	%
4000K	84+	100%
3500K	84+	97.1%
3000K	84+	95.7%
2700K	84+	94.1%
4000K	92+	88.9%
3500K	92+	85.5%
3000K	92+	83.8%
2700K	92+	82.4%

ORDER GUIDE

EOS 2.0-R-PER

A	B	C	D	E	F	G	H	I	J	K
---	---	---	---	---	---	---	---	---	---	---

EXAMPLE

EOS 2.0-R-PER	FT	LAM	500	4	35K	8	UNV	SI	W	RI
---------------	----	-----	-----	---	-----	---	-----	----	---	----

OPTIONS

L,M (Multiple Selections)

A. MODEL	B. TRIM	C. DIRECT OPTICS	D. DISTRIBUTION	E. LENGTH	F. COLOR TEMPERATURE
Q EOS 20-R-PER	Q FT Flange Trim Q G1 Grid 15/16" Q G9 Grid 9/16" Q GS Grid Slot Q TL Trimless Spackle Flange	Q LAM Lambertian Q ASY Asymmetric Q GRZ Graze	Q 375 375 lm/ft Q 500 500 lm/ft Q 750 750 lm/ft Q 1000 1000 lm/ft XXX Custom lm/ft	Q 2 2 ft (24 in) Q 3 3 ft (36 in) Q 4 4 ft (48 in) Q 5 5 ft (60 in) Q 6 6 ft (72 in) Q 7 7 ft (84 in) Q 8 8 ft (96 in) XXX System Run PATxSH Pattern	Q 27K 2700K Q 30K 3000K Q 35K 3500K Q 40K 4000K Q 50K 5000K WCT White Color Tuning 2700K - 6500K RGB RGB RGBW30 RGBW - W3000K RGBW35 RGBW - W3500K RGBW40 RGBW - W4000K

NOTES

		Asymmetric direction is determined by lens position. Field adjustable for right or left throw.	Consult factory for outputs between min and max.	Refer to Pattern configuration guide below for nomenclature. Please see Pattern Guide on p.2 for further details.	WCT - max lm/ft is 1000 based on 80 CRI and 4000K. RGB and RGBW require DMX Driver
--	--	--	--	---	--

G. CRI	H. VOLTAGE	I. DRIVER	J. FINISH
Q 8 80+CRI 9 90+CRI	Q UNV 120-277v Q 347 347v	Q S1 1% Dimming (0-10v) LDE1 Lutron Hi-Lume 1% Fade to Black ELO 0.1% EldoLED Q DXL 1% Dexas	Q W White Q B Black Q S Silver CC Custom Colors

90 CRI option has an R9 value greater than 60.	347 may not be available in all configurations.	AWN-S, AWNS-B, AWNR-W, AWNR-B, VDO, VRF, SPD, & CLM options supplied with DXL driver standard. Emergency Shunt Relay typically required with Controls and EC circuits. One AWN Sensor per Shunt Relay and Driver	Consult factory for custom colors.
--	---	--	------------------------------------

OPTIONS

K. REGRESS	K. CONTROLS & FACTORY OPTIONS	L. QUICKSHIP
Q NR No Regress Q 1R 1 in Q 2R 2 in	Q NONE Leave Blank Q AWNR-W Lutron Athena Wireless Node (RF-only) in White Q AWNR-B Lutron Athena Wireless Node (RF-only) in Black Q AWNS-W Lutron Athena Wireless Sensor (Occ) in White Q AWNS-B Lutron Athena Wireless Sensor (Occ) in Black Q VDO Lutron Vive(RF/Daylight/Occ) Q VRF Lutron Vive RF Fixture Control SPD Encellium SensiLUM Daylight/Harvest/Occ CLM Encellium Connecting Light Module (CLM) DAY Wattstopper Daylight Sensor (FD-301) OCC Wattstopper Occ Sensor (FS-205v2) DOC Enlighted Daylight/Harvesting Occ (SU-5E-01)	Q QS10 QuickShip 10 - Day (Depletion Policy: Subject to Availability) Q EB Emergency Battery (10-Watt) Q EC Emergency Circuit ESR Emergency Shunt Relay NL Night Light Circuit DW Daylight Circuit DL Drop Lens 0.50 (Individual Units Only) CP Chicago Plenum SDW Split Daylight Wiring TELE Telescopic WET Wet Location

AWN-S, AWNS-B, AWNR-W, AWNR-B, VDO, VRF, SPD, & CLM options supplied with DXL driver standard. Emergency Shunt Relay typically required with Controls and EC circuits. Quickship for controls is based on receipt of a clean signed submittal drawing. Drop lens is for direct distribution only; available only on individual units. Wet location is covered ceiling only. EB option only available for lengths 4ft or greater (RGBW will be White Channel only). EB not compatible with RGB. For EC circuits with RGB/RGBW a DMX Emergency Bypass Controller is required (by others). May choose more than one option in this category. Please see note on p.2 for further details regarding QuickShip.

LIGHT SOURCE

Long life name brand LED chips and boards to ensure the highest of quality while providing even and smooth illumination throughout our luminaires.

Our luminaires are available in 2700K, 3000K, 3500K and 4000K color temperature as well as White Color Tuning (2700-6500K).

Optional 80CRI or 90CRI available in all CCT options.

LUMEN MAINTENANCE

The projected lumen maintenance of the name brand mid-powered LED's are projected to maintain 80% (L80) of their initial output for +80,000 hours.

CONSTRUCTION

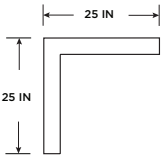
The housings are constructed of (6063T5) extruded aluminum. Our internal joiner system is designed to the highest of standards to ensure our precision cut housings align and fit tightly without light leak. Our precision fitting end caps are constructed out of die cast aluminum and our steel reflectors are painted white.

FINISH

Polyester powder, low gloss textured paint finish applied after a multi-stage pretreatment. Standard luminaire finishes include white, silver, and black. Custom color options are available. (Consult Factory).

CORNERS

Precision mitered and seam welded corners are fully illuminated.



OPTICS

Snap in extruded frosted acrylic lens

DRIVERS

All of our luminaires come standard with 1% dimming and THD <20% utilizing 0-10v constant current protocol. 120v/277v is standard with the option of 347v. Driver ambient operating temperature -30°C to +50°C.

EMERGENCY

An integral factory installed 10 watt emergency battery pack. Emergency circuit and Night Light circuit options are available.

LUMINAIRE LENGTH

Our EOS 2.0 Recessed luminaire series are available in 2', 3', 4', 5', 6', 7' and 8' individual lengths or continuous row configurations. Continuous row configurations are joined together on-site utilizing the joiner kits provided.

LUMINAIRE WEIGHT

The approximate weight of a four foot luminaire is 16.8 lbs including end caps assembled.

QUICKSHIP



Indicates QuickShip option 10-day lead times.

Up to 750 linear feet or 150 individual luminaires. Consult Factory for larger projects.

PLEASE NOTE:

- 10-day lead times do not include weekends or holidays.
- A clean order must be received by 12:00 PM EST. All orders received after 12:00 PM EST will be entered the following day.
- Changing orders of any kind will require a new ESD.
- All QuickShip items must be on a separate PO.

PATTERN GUIDE

W. PATTERN		X. PATTERN DIMENSIONS		Y. PATTERN CODE		Z. PATTERN ORIENTATION	
Pattern	PAT	Enter length of each segment in pattern separated by an "x"	AxB AxBxC	L Pattern Square or Rectangle U Pattern Z Pattern Custom Pattern - Sketch or Drawing Required	L S U Z C	Horizontal Vertical Custom Pattern - Sketch or Drawing Required	H V C

NOTES

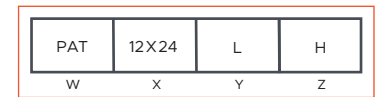
Dimensions for Patterns are based on outside dimensions of the pattern.

Patterns in all cases will require a signed-off submittal prior to release of an order.

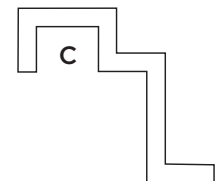
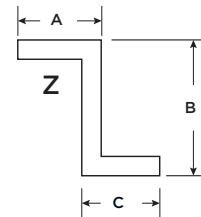
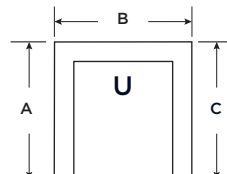
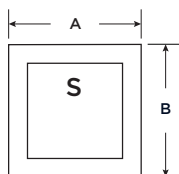
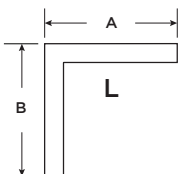
For Patterns created against walls, the layout will be created using inside wall dimensions from drawings received.

PAT X H

PAT = Pattern
AxBxC = Length of each segment in Pattern separated by an "x"
@ = Pattern Code (See reference examples)
H = Pattern Orientation



Above code gets entered in "D" LENGTH field of ordering guide.



Custom design of your choice. Drawing or sketch required.

CONTINUOUS RUN ORDER GUIDES

Please use the following run guides for fixture ordering. If your product will require a submittal, our in-house Application Engineering Team will work closely with you on your project.

ALUMINUM PRODUCT ORDER GUIDE	
RUN LENGTH (ft)	RUN CONFIGURATION - SECTION LENGTHS
9	6' + 3'
10	6' + 4'
11	6' + 5'
12	6' + 6'
13	6' + 7'
14	8' + 6'
15	8' + 7'
16	8' + 8'
17	6' + 5' + 6'
18	6' + 6' + 6'
19	6' + 7' + 6'
20	8' + 4' + 8'
21	8' + 5' + 8'
22	8' + 6' + 8'
23	8' + 7' + 8'
24	8' + 8' + 8'
25	5' + 8' + 8' + 4'
26	4' + 6' + 6' + 6' + 4'
27	6' + 8' + 8' + 5'
28	6' + 8' + 8' + 6'
29	7' + 8' + 8' + 6'

*Standard Run Configurations Shown, Consult Factory for Custom Configurations.

ALUMINUM PRODUCT ORDER GUIDE	
RUN LENGTH (ft)	RUN CONFIGURATION - SECTION LENGTHS
30	6' + 6' + 6' + 6' + 6'
31	6' + 6' + 7' + 6' + 6'
32	8' + 8' + 8' + 8'
33	5' + 8' + 8' + 8' + 4'
34	6' + 8' + 8' + 8' + 4'
35	6' + 8' + 8' + 8' + 5'
36	6' + 8' + 8' + 8' + 6'
37	8' + 8' + 5' + 8' + 8'
38	8' + 8' + 6' + 8' + 8'
39	8' + 8' + 7' + 8' + 8'
40	8' + 8' + 8' + 8' + 8'
41	5' + 8' + 8' + 8' + 8' + 4'
42	6' + 8' + 8' + 8' + 8' + 4'
43	6' + 8' + 8' + 8' + 8' + 5'
44	6' + 8' + 8' + 8' + 8' + 6'
45	7' + 8' + 8' + 8' + 8' + 6'
46	3' + 8' + 8' + 8' + 8' + 3'
47	4' + 8' + 8' + 8' + 8' + 3'
48	8' + 8' + 8' + 8' + 8' + 8'
49	5' + 8' + 8' + 8' + 8' + 4'
50	6' + 8' + 8' + 8' + 8' + 4'

*Standard Run Configurations Shown, Consult Factory for Custom Configurations.



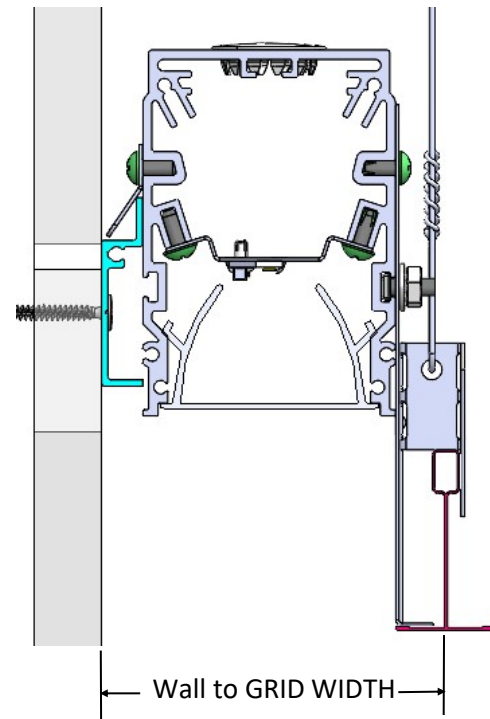
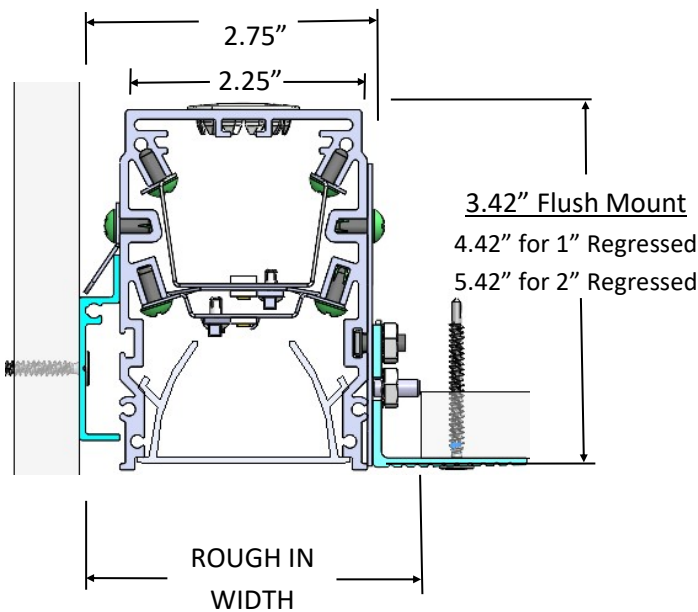
Installation Instruction Sheet

Linear Fixtures

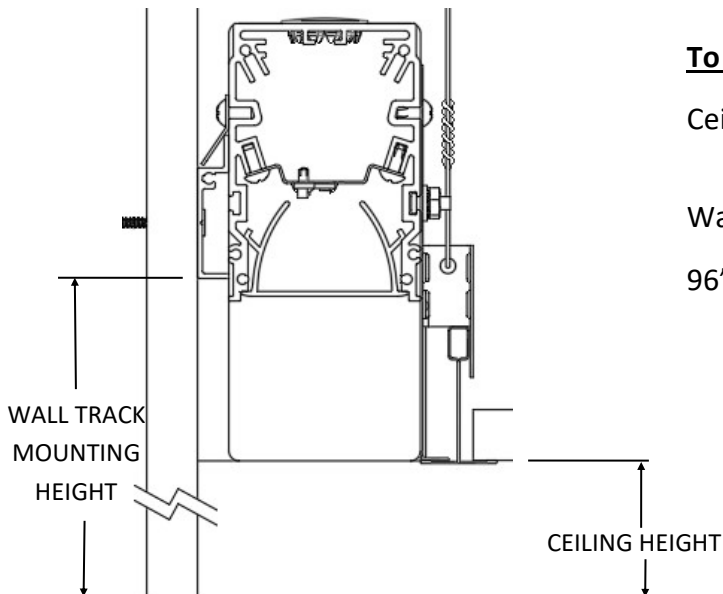
MOUNTING TYPES & DIMENSION

"Rough In" Width	
Mounting Type	
Flange	3.0"
Flangeless/Trimless	3.25"

Grid Mounting "Wall to Center Widths"	
Ceiling Type	
9/16" Slot	3-1/16"
"9/16" Tegular/Lay-in	3-1/16"
15/16" Tegular/Lay-in	3-7/32"



WALL TRACK MOUNTING DIMENSION



To determine Wall Track Mounting height.

Ceiling Height + Regressed Depth + 3/16"

Wall Track Mounting height Example:

96" Ceiling + 2" Regressed Depth + 3/16" = 98-3/16"

