

Installation Instruction Sheet

Linear Recessed Fixtures

INSTALLATION INSTRUCTIONS FOR MOUNTING RECESSED LINEAR FIXTURES

WARNING

To reduce the risk of death, injury or property damage from fire, electric shock, cuts, abrasions, falling parts and other hazards:

- Service of the equipment must be performed by qualified service personnel.
- Installation and maintenance must be performed by a person familiar with the construction and operation of this product and any hazards involved. All applicable codes and ordinances must be followed.
- Read this document before installing, servicing or maintaining this equipment. These instructions do not cover all installation, service and maintenance situations. If your situation is not covered, or, if you do not understand these instructions or additional information is required, contact Lux Illuminaire or your local agent.
- Read and follow all warnings and instructions provided by the LED manufacturer.

WARNING

- Before installing, servicing or maintaining this equipment, follow these general precautions. To reduce the risk of electrocution:
- Make sure the equipment is properly grounded.
- Always de-energize the circuit and/or equipment before connecting to, disconnecting from or servicing the equipment.

To prevent luminaire row from over-current:

- By adding the input current of each luminaire section marked on the luminaire, the total current per power feed must not exceed the maximum line wire amperage marked on the luminaire and the power feed cord/wire amperage rating whichever is the least.

To reduce the risk of fire:

- Keep material away that can burn from hot surfaces.
- Make sure LED boards are correctly installed.
- Use supply conductors with a minimum installation temperature rating as specified on equipment.

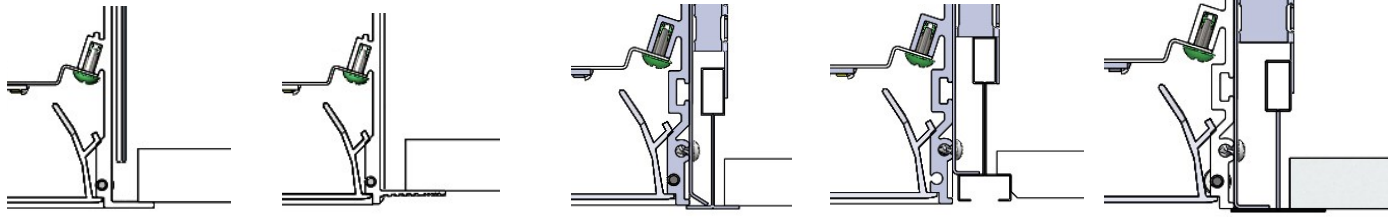
To reduce the risk of personal injury from cuts, abrasions or falling parts:

- Wear gloves to prevent cuts or abrasions from sharp edges when removing from carton, handling and maintaining this equipment.
- Do not use abrasive materials, glass cleaners or other solvents on reflector or lens. These substances may damage equipment and cause parts to eventually break and fall.
- Do not install a damaged fixture.

Installation Instruction Sheet

Linear Fixtures

MOUNTING TYPES & DIMENSION



Flange

Flangeless/
Trimless

9/16" Grid
Tegular/Lay-In

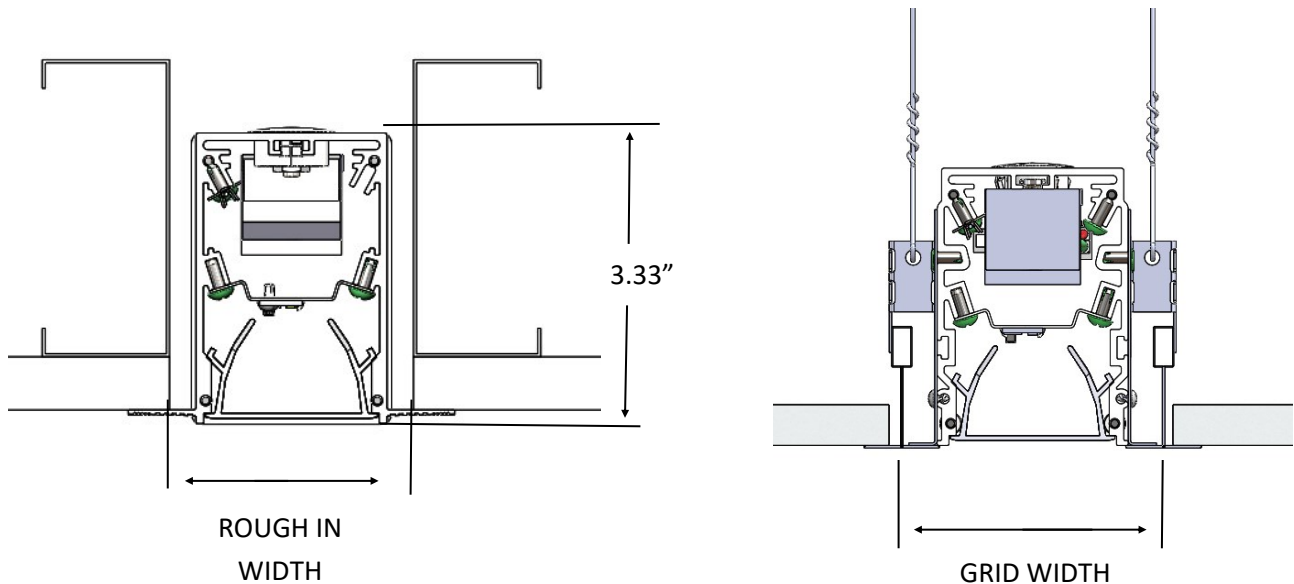
9/16" Grid
Slot

15/16" Grid
Tegular/Lay-In

"Rough In" Width For Flange & Trimless Only	
Mounting Type	EOS2.0
Flange	2-7/8"
Flangeless/Trimless	2-7/8"

Grid Mounting Center Widths	
Ceiling Type	EOS2.0
9/16" Slot	3"
"9/16" Tegular/Lay-in	2-13/16"
15/16" Tegular/Lay-in	3-3/16"

Fixture Length	2FT	3FT	4FT	5FT	6FT	7FT	8FT
"Rough IN" Length For Flange & Trimless Only	24-11/16"	36-11/16"	48-11/16"	60-11/16"	72-11/16"	84-11/16"	96-11/16"



EOS 2.0 Linear LED Recessed Luminaires

INSTALLATION INSTRUCTIONS FOR MOUNTING IN TEE GRID AND JOINING FIXTURES

Linear Fixtures

Remove lens.

Hand bend the tabs on each side of fixture out to fit over grid.

Set fixture into opening between Tee Grid.
After the fixture is set, attach support wiring to the building and fixtures.

Bring conduit and conduit fitting (supplied by others) to the power feed hole location at the end of the housing or in end cap. Make the electrical connections to the building power using the starter harness and plug into the fixture thru harness. Use the wiring diagram included to identify wiring.

For row mounting fixtures attach male end of harness to female end of harness.

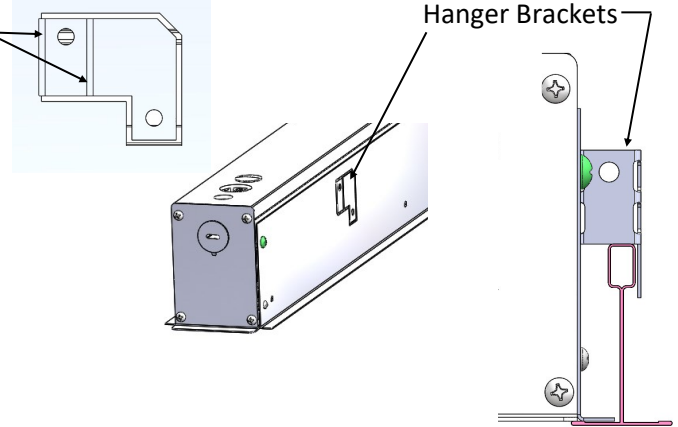
Slide fixture together using alignment pins that extend from fixtures to insure proper alignment.

Screw internal reflectors down to joining fixture.

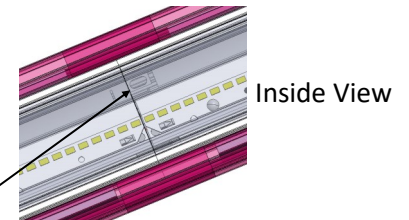
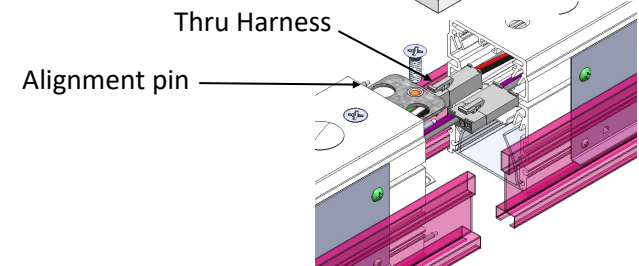
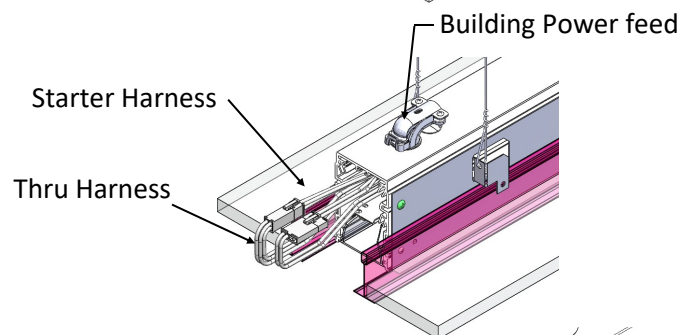
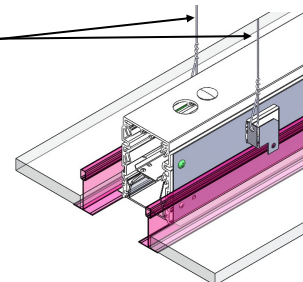
Tuck harness at end of rows and attach end caps using supplied screws.

Replace Lens

Hand bend hanger bracket out.



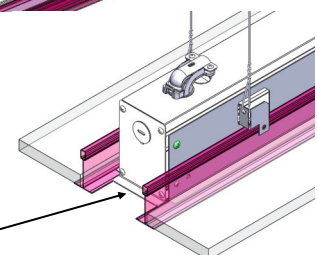
Support Wire



Fasten extended reflector tabs to joining fixture.

Break tab at end of run.

Fasten end cap to end of run



EOS 2.0 Linear LED Recessed Luminaires

INSTALLATION INSTRUCTIONS FOR MOUNTING IN HARD CEILING AND JOINING FIXTURES

Linear Fixtures

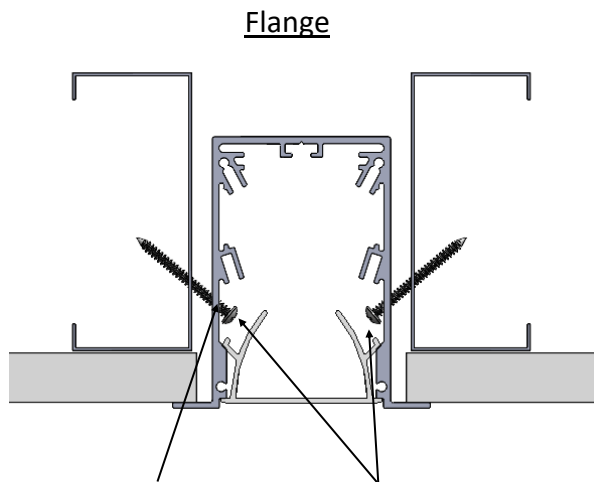
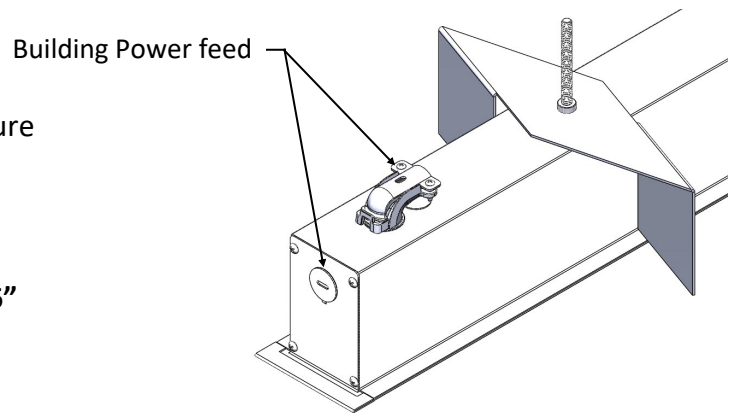
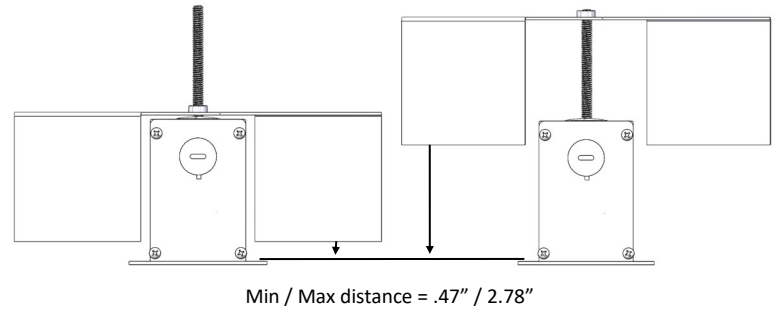
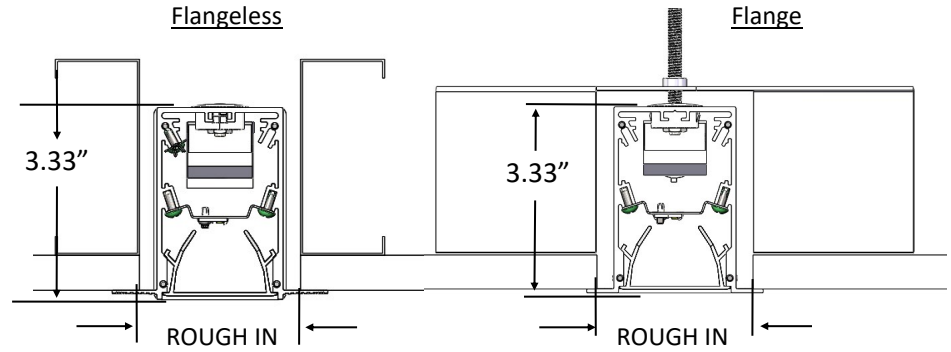
Prepare wall/ceiling with proper rough-in width openings (see chart on page 2).

For post sheetrock applications use 5/8" holes on back of fixture. Tie into the building with 1/4" all thread rod (supplied by others).

Install building power feed conduit and fitting (supplied by others) thru top side of housing or thru end cap of 1st fixture in the continuous run. Make the electrical connections to the building power using the starter harness and plug into the fixture thru harness. Use the wiring diagram included to identify wiring.

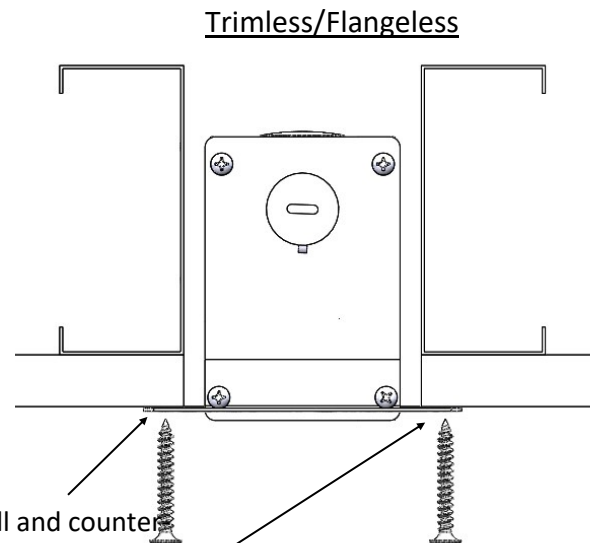
Insert fixture thru rough-in opening and fasten fixture (hardware supplied by others) to building studs.

- Center fixture in opening
- **Pre-drill holes for screws and countersink 3/16" for Trimless fixture (if needed)**



Pre-drill mounting holes above lens contact area

Do not over-tighten



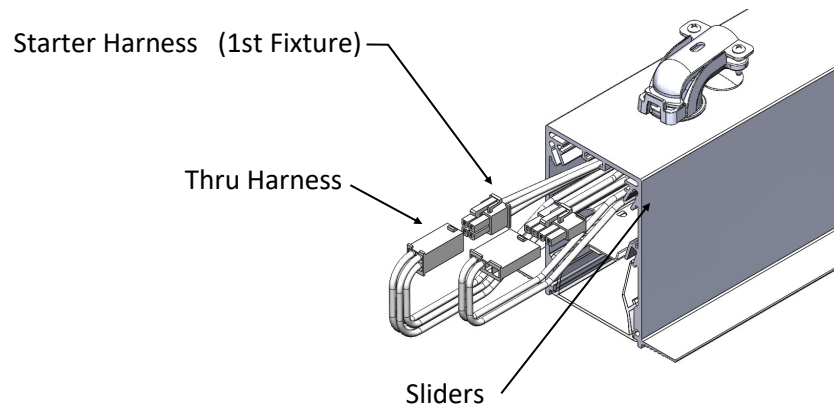
Pre-drill and countersink mounting holes

(if needed)

EOS 2.0 Linear LED Recessed Luminaires

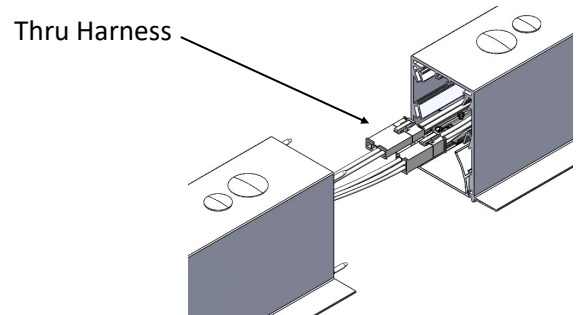
INSTALLATION INSTRUCTIONS FOR MOUNTING IN HARD CEILING AND JOINING FIXTURES (Continued)

Linear Fixtures



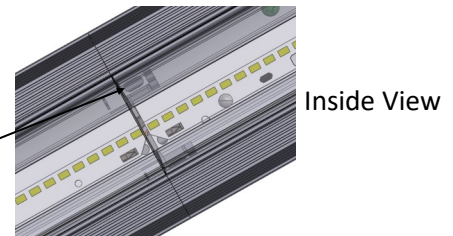
For row mounting fixtures attach male end of harness to female end of harness.

Slide fixture together using alignment pins that extend from fixtures to insure proper alignment.



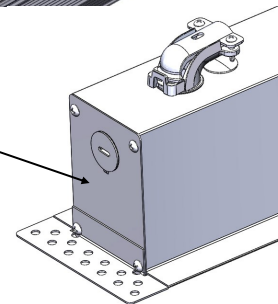
Screw internal reflectors down to joining fixture.

Fasten extended reflector tabs to joining fixture.
Break tab at end of run.



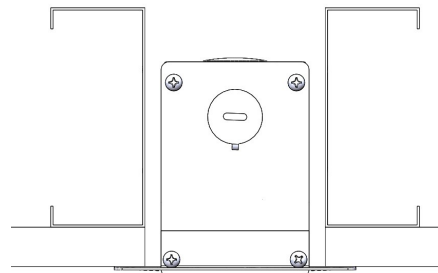
Tuck harness at end of rows and attach end caps using supplied screws.

Fasten end cap to end of run



Replace Lens

Finish mud over flangeless trim making sure no screw heads are exposed.



Clean around exposed area

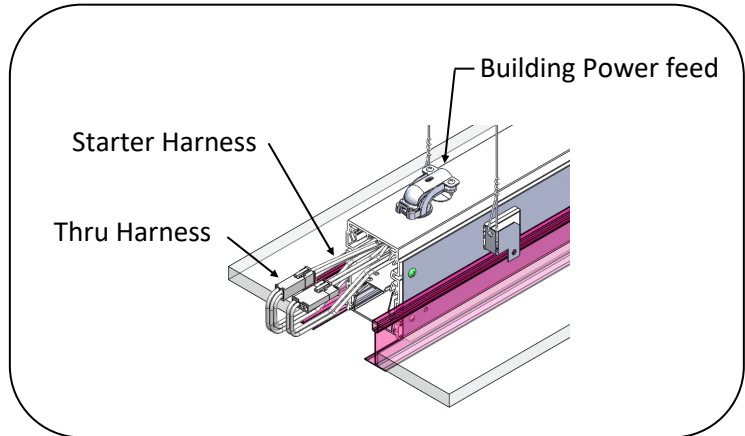
Mud and sand over Trimless trim before painting

Installation Instruction Sheet

Linear Fixtures

INSTALLATION INSTRUCTIONS FOR POWER FEED

For feed, attach the building power to the starter harness and plug into fixture thru harness. Attach dimming harness where dimming is required.



For special circuitry consult factory

LINE WIRE COLOR	CIRCUIT DESCRIPTION
BLK	CIRCUIT A—HOT
WHT	CIRCUIT A & B— NEUTRAL
RED	CIRCUIT B— HOT
GRN	GROUNDING
VLT	DIMMING CONTROL 1
PINK OR GRY	DIMMING CONTROL 2
ORG	EHS or EHF—HOT
WHT/ORG	EHS or EHF— NEUTRAL

Compliant to UL 1598



General Wiring Diagram

