

## Installation Instruction Sheet

### Linear Recessed Fixtures

#### INSTALLATION INSTRUCTIONS FOR MOUNTING RECESSED LINEAR FIXTURES

##### WARNING

To reduce the risk of death, injury or property damage from fire, electric shock, cuts, abrasions, falling parts and other hazards:

- Service of the equipment must be performed by qualified service personnel.
- Installation and maintenance must be performed by a person familiar with the construction and operation of this product and any hazards involved. All applicable codes and ordinances must be followed.
- Read this document before installing, servicing or maintaining this equipment. These instructions do not cover all installation, service and maintenance situations. If your situation is not covered, or, if you do not understand these instructions or additional information is required, contact Lux Illuminaire or your local agent.
- Read and follow all warnings and instructions provided by the LED manufacturer.

##### WARNING

- Before installing, servicing or maintaining this equipment, follow these general precautions. To reduce the risk of electrocution:
- Make sure the equipment is properly grounded.
- Always de-energize the circuit and/or equipment before connecting to, disconnecting from or servicing the equipment.

To prevent luminaire row from over-current:

- By adding the input current of each luminaire section marked on the luminaire, the total current per power feed must not exceed the maximum line wire amperage marked on the luminaire and the power feed cord/wire amperage rating whichever is the least.

To reduce the risk of fire:

- Keep material away that can burn from hot surfaces.
- Make sure LED boards are correctly installed.
- Use supply conductors with a minimum installation temperature rating as specified on equipment.

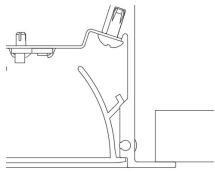
To reduce the risk of personal injury from cuts, abrasions or falling parts:

- Wear gloves to prevent cuts or abrasions from sharp edges when removing from carton, handling and maintaining this equipment.
- Do not use abrasive materials, glass cleaners or other solvents on reflector or lens. These substances may damage equipment and cause parts to eventually break and fall.
- Do not install a damaged fixture.

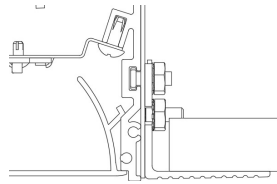
## Installation Instruction Sheet

### Linear Fixtures

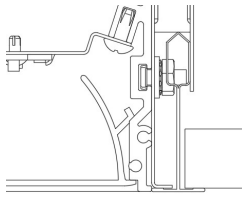
#### MOUNTING TYPES & DIMENSION



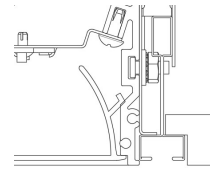
Flange  
Flush



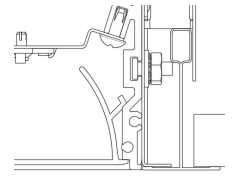
Flangeless/Trimless  
Flush



9/16" Grid  
Regular/Lay-In

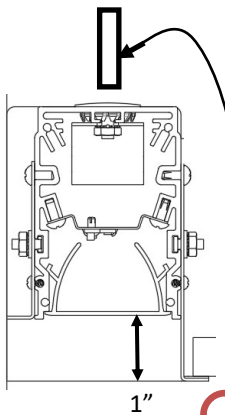


9/16" Grid  
Slot

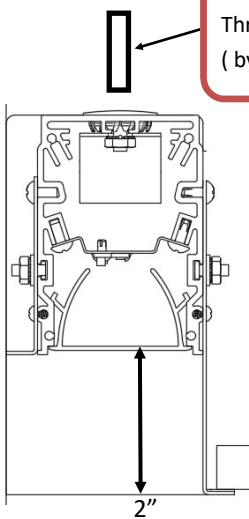
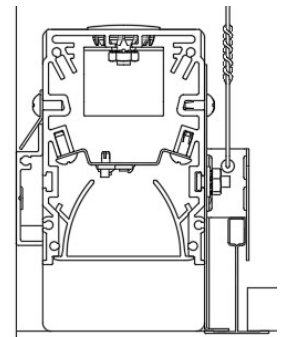
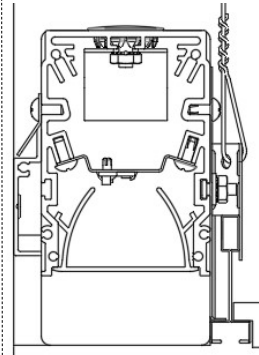
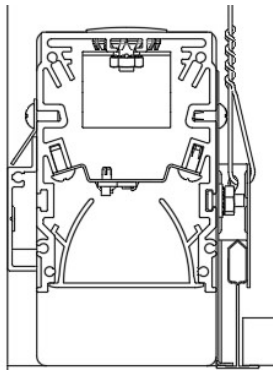
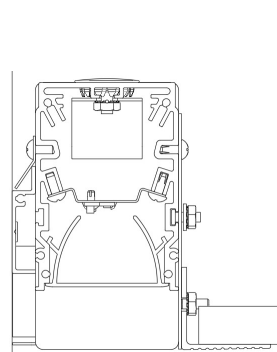


15/16" Grid  
Regular/Lay-In

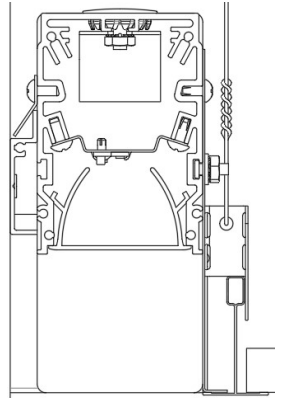
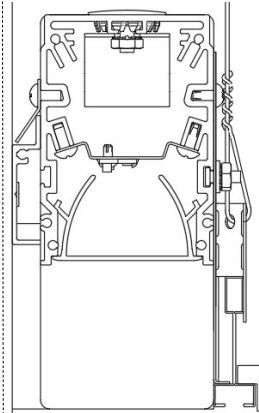
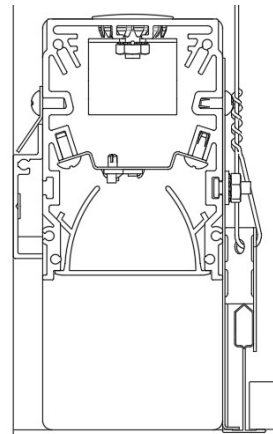
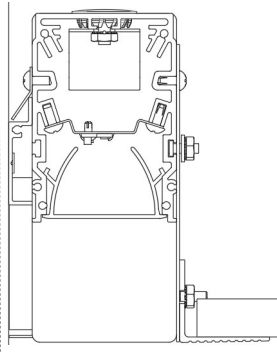
**Mounting Depth Range can be ordered as Flush, as shown above or regressed 1", or 2" as shown below**



1"



2"



Suspension  
Threaded Rod  
( by others)

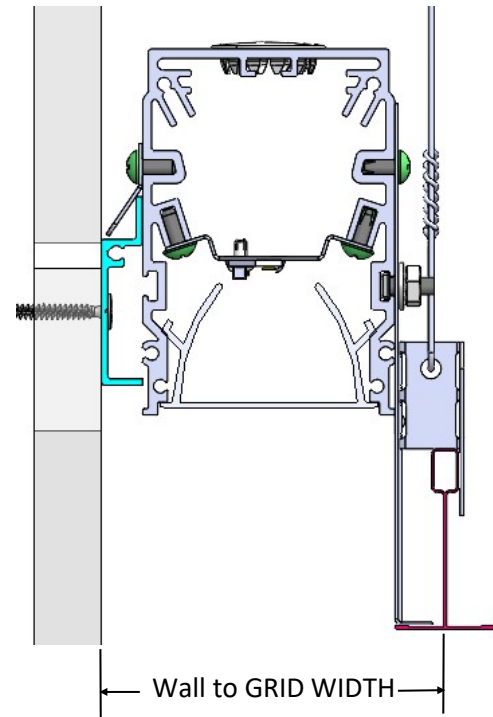
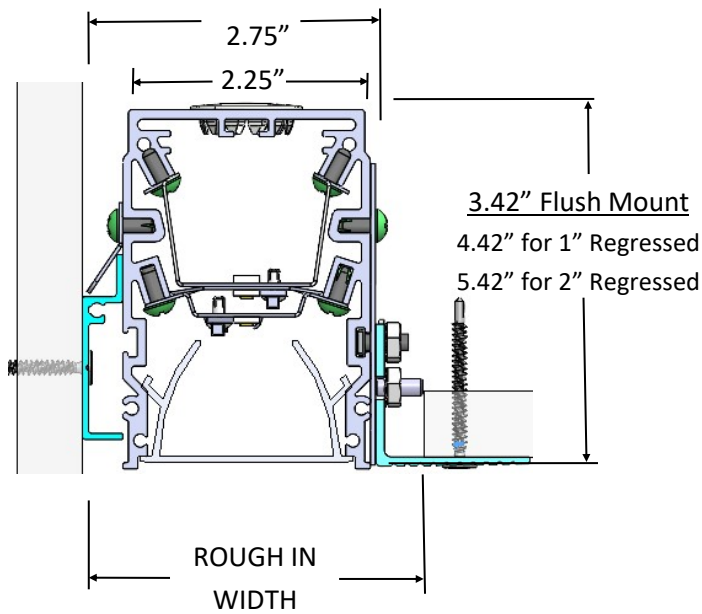
## Installation Instruction Sheet

### Linear Fixtures

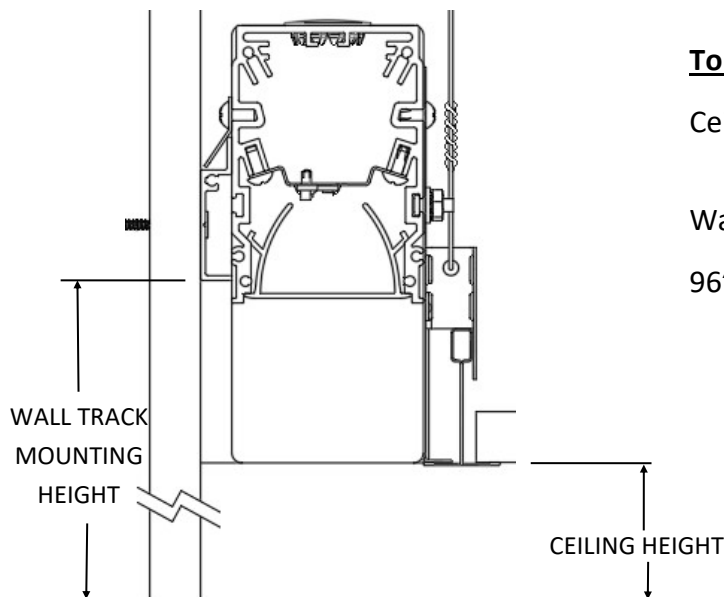
#### MOUNTING TYPES & DIMENSION

"Rough In" Width	
Mounting Type	
Flange	3.0"
Flangeless/Trimless	3.25"

Grid Mounting "Wall to Center Widths"	
Ceiling Type	
9/16" Slot	3-1/16"
"9/16" Tegular/Lay-in	3-1/16"
15/16" Tegular/Lay-in	3-7/32"



#### WALL TRACK MOUNTING DIMENSION



#### To determine Wall Track Mounting height.

Ceiling Height + Regressed Depth + 3/16"

Wall Track Mounting height Example:

96" Ceiling + 2" Regressed Depth + 3/16" = 98-3/16"

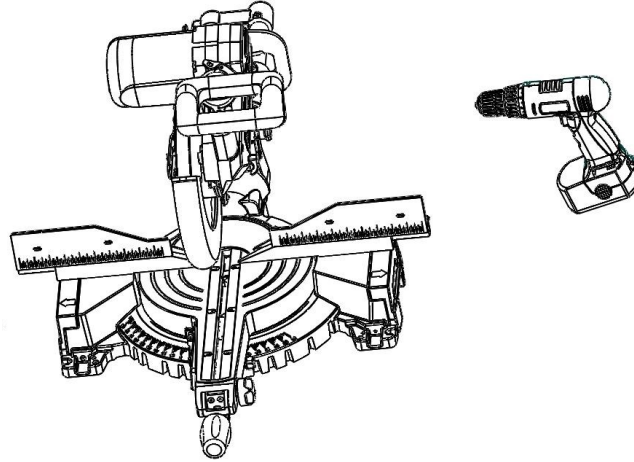
## Installation Instruction Sheet

### Linear Fixtures

#### Wall Track Instructions

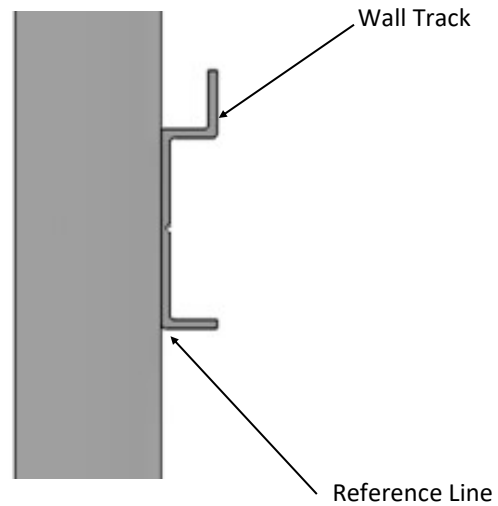
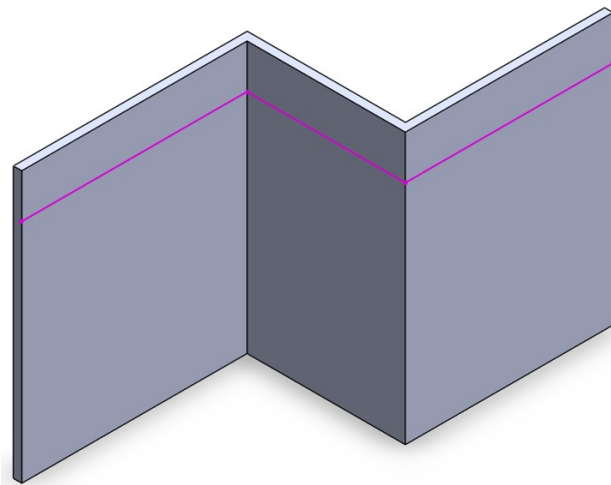
##### Tools Required:

- Aluminum Cutting Saw
- Pencil
- Screw gun



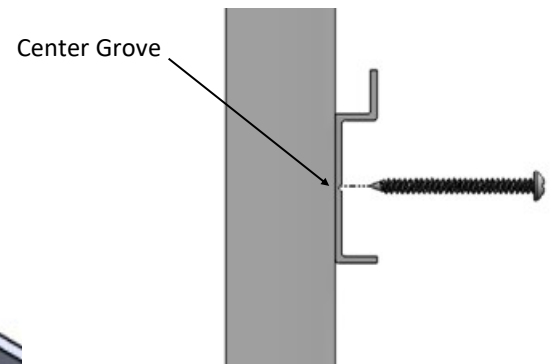
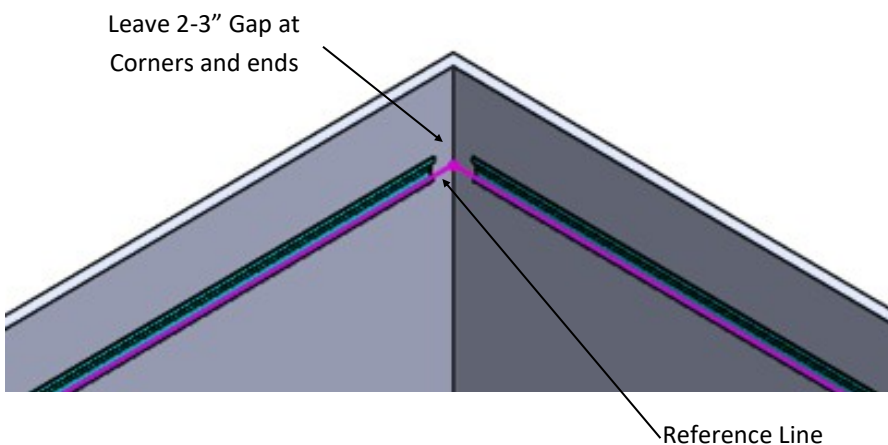
#### Step 1: Mark Wall Track line

- See Wall Track Mounting Calculation for Height
- Mark Reference Line Level



#### Step 2: Mount Wall Track

- Mount Track with Screws (By others) every 16 to 24" in Groove
- Pre-Drill holes for non-tread cutting screws



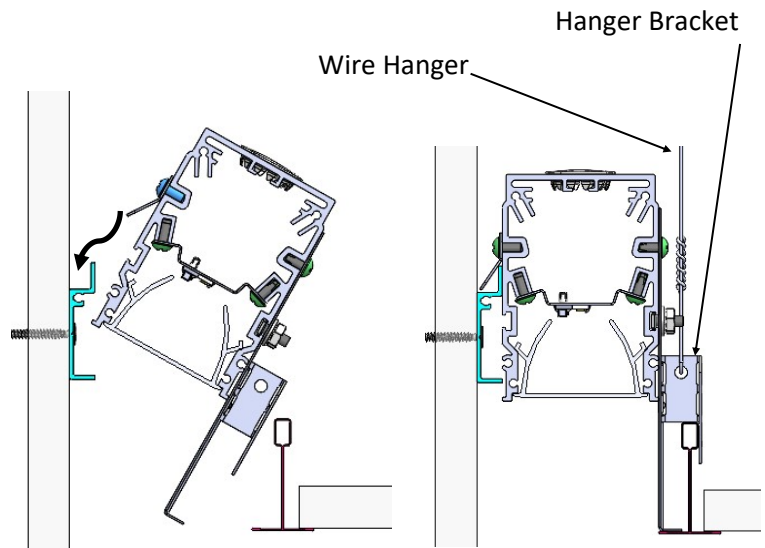
## INSTALLATION INSTRUCTIONS

### Linear Fixtures

#### Installing Fixture:

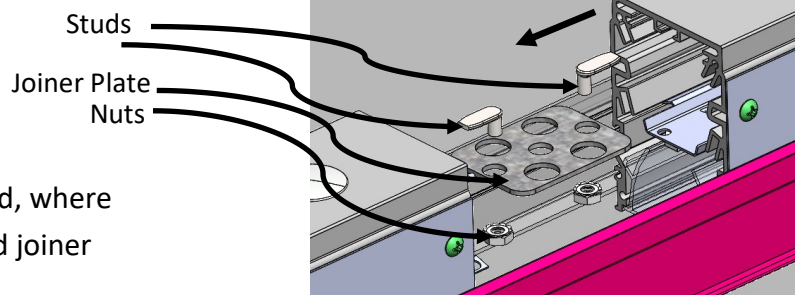
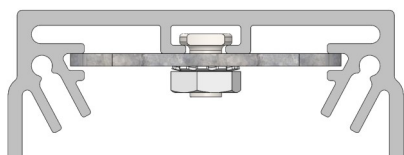
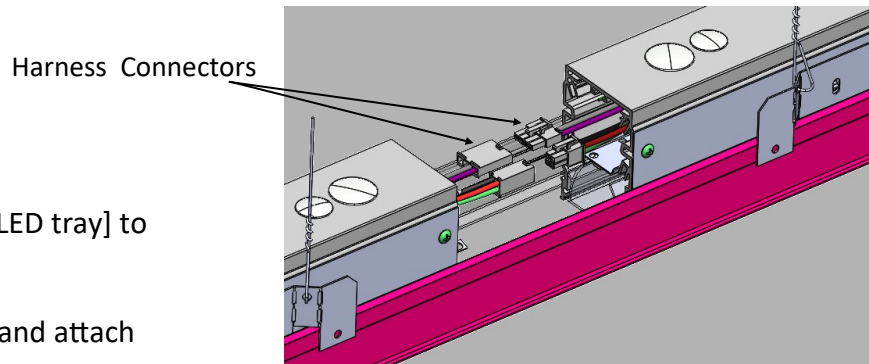
\*Starting with Corner fixture is recommended.

1. Place 1st fixture on Wall Track and rotate in position as shown to allow seating on both the wall bracket and ceiling tee.
2. Bend hanger bracket outward to allow seating over the top of ceiling tee
3. Attach a wire hanger (by others) through hole in sliders and nuts
4. Flanged fixture do not hang on a wall track and must be suspended by means of a threaded rod and nut (by others) through top of housing

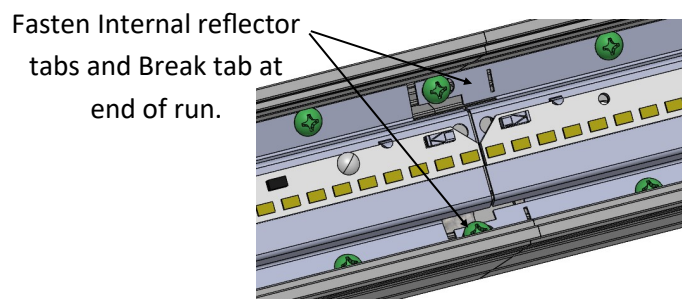


#### Row Mounted Fixture Installation:

1. Carefully remove internals [lens & LED tray] to allow access to wire harness.
2. Place second fixture on Wall Track and attach wire harness connections



3. Slide housings toward each other and, where provided, join together with supplied joiner plate and hardware from below
4. Reinstall LED tray
5. Screw internal reflector down to joining fixture
6. Reinstall lens

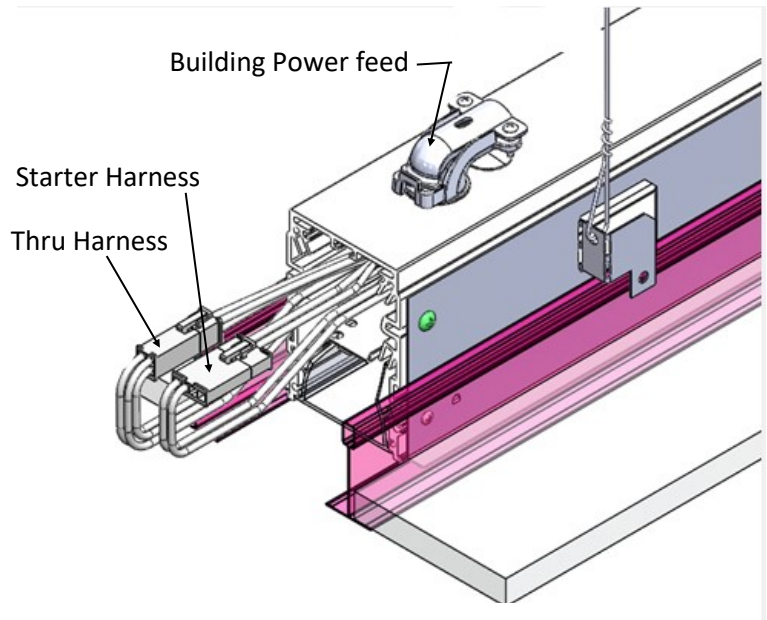


## Installation Instruction Sheet

### Linear Fixtures

#### INSTALLATION INSTRUCTIONS FOR POWER FEED

Bring conduit and conduit fitting (supplied by others) to the power feed hole location at the end of the housing or in end cap. Make the electrical connections to the building power using the starter harness and plug into the fixture thru harness. Use the wiring diagram included to identify wiring.

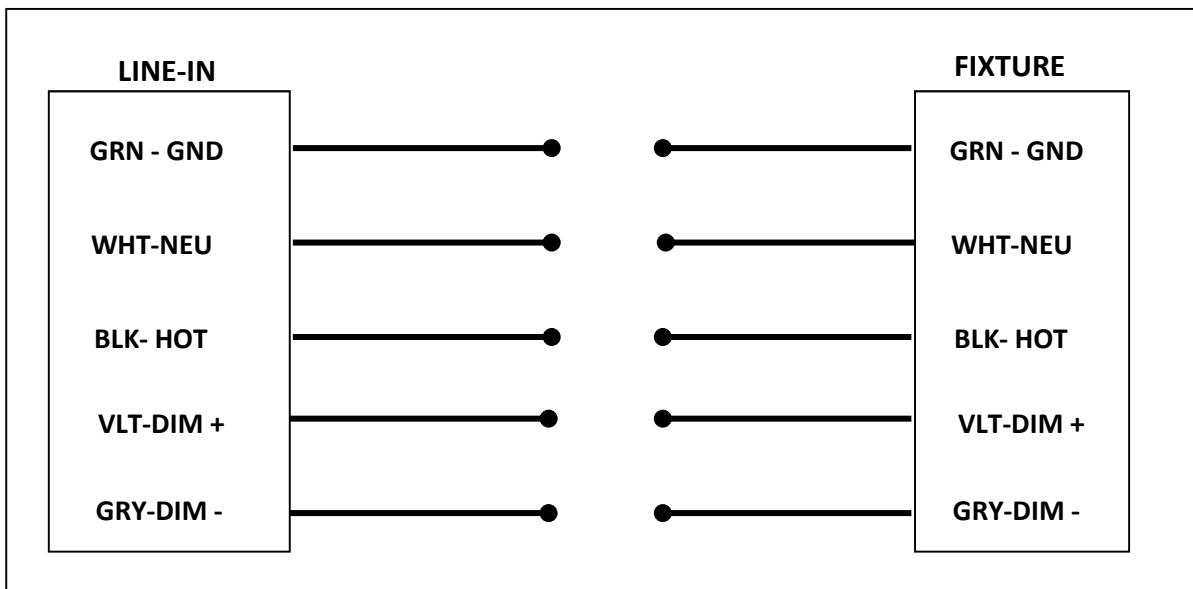


Compliant to UL 1598



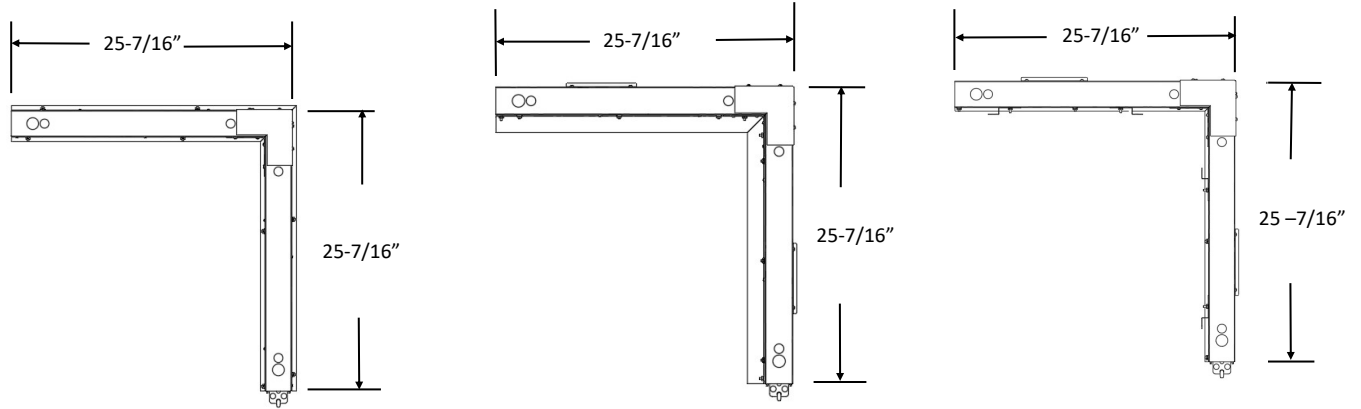
For special circuitry consult factory	
LINE WIRE COLOR	CIRCUIT DESCRIPTION
BLK	CIRCUIT A—HOT
WHT	CIRCUIT A & B— NEUTRAL
RED	CIRCUIT B— HOT
GRN	GROUNDING
VLT	DIMMING CONTROL 1
GRY	DIMMING CONTROL 2
ORG	EHS or EHF—HOT
WHT/ORG	EHS or EHF— NEUTRAL

### General Wiring Diagram

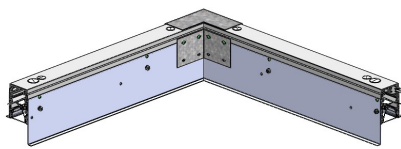


### Linear Fixtures

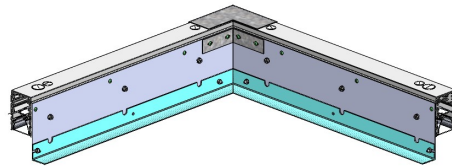
#### Horizontal Corners



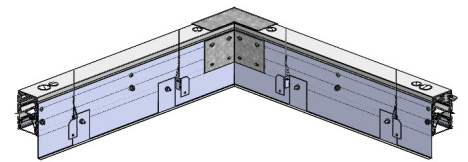
#### Horizontal Inside Corners



Flange corner

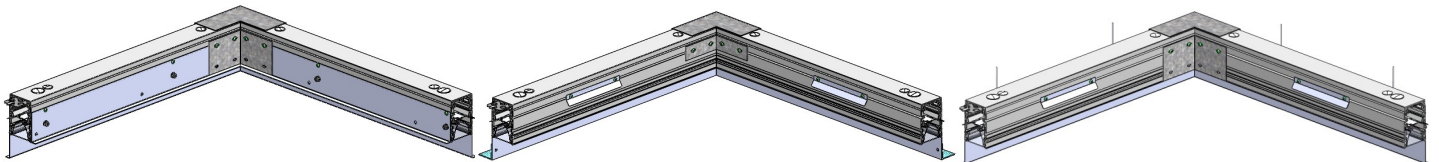


Trimless/Flangeless corner



Grid corner

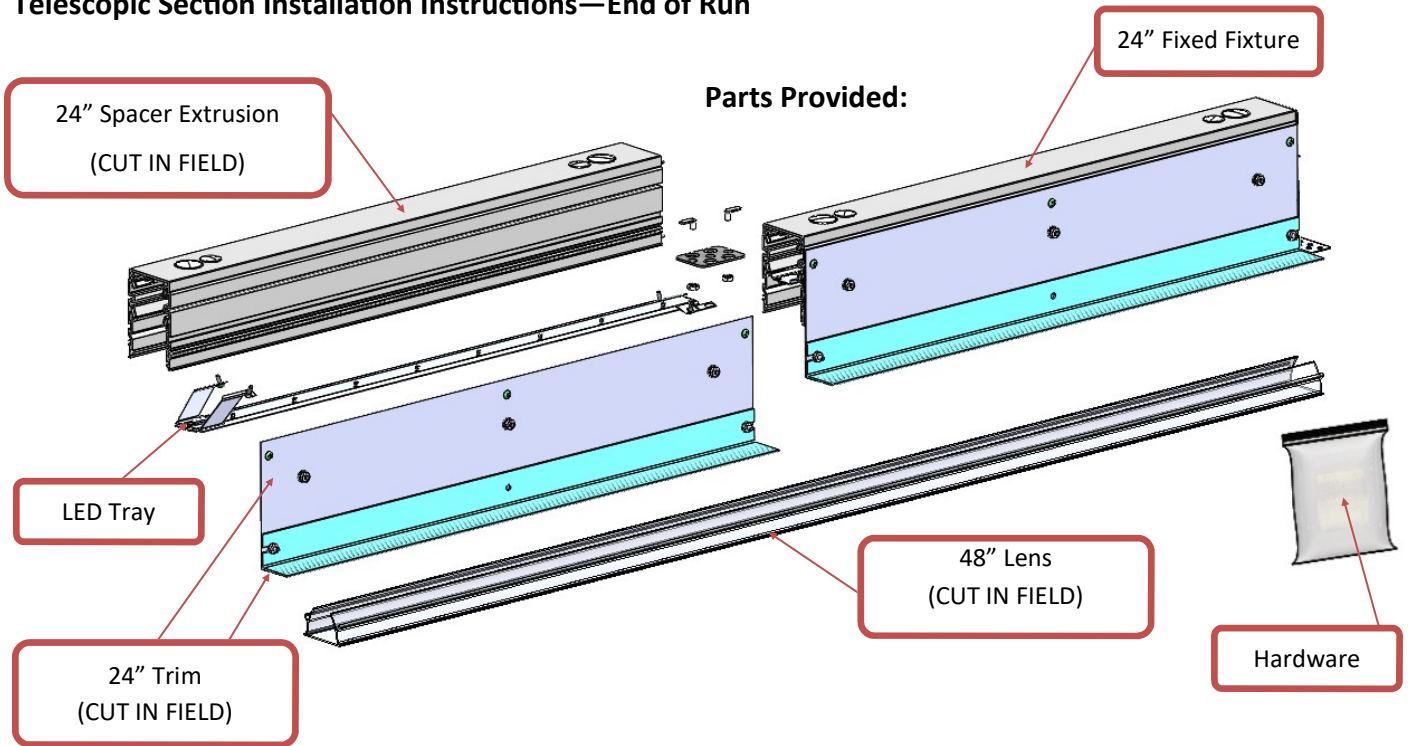
#### Horizontal Outside Corners



## Installation Instruction Sheet

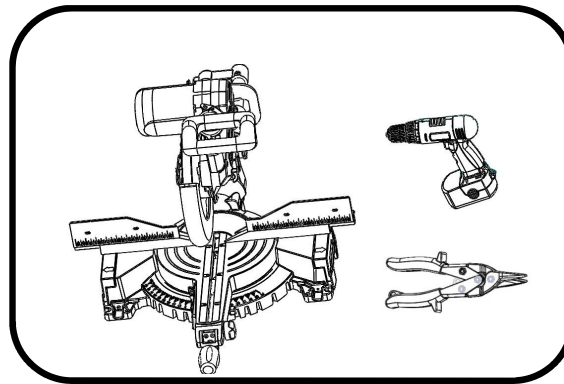
### Linear Fixtures

#### Telescopic Section Installation Instructions—End of Run

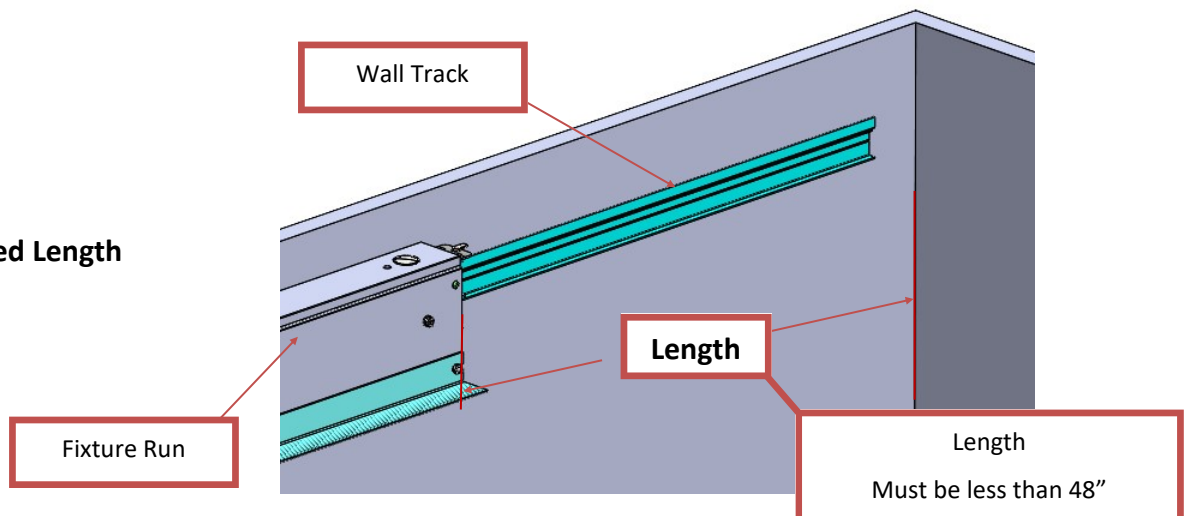


#### Tools Required:

- Aluminum Cutting Saw
- Screw gun
- Tin Snips



#### Measure Required Length





## INSTALLATION INSTRUCTIONS

### Linear Fixtures

#### Telescopic Section Installation Instructions—End of Run

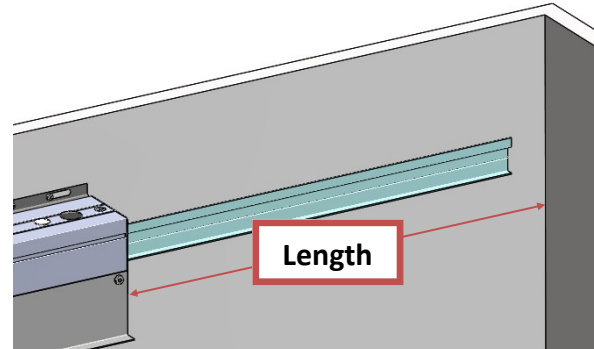
Cutting Telescopic Fixture To Length:

\* **LENGTH** of Gap must be less than 48"

1. Calculate "Cut Dimension" by Subtracting **LENGTH** of Gap from 48"

Example for a 40" LENGTH of gap

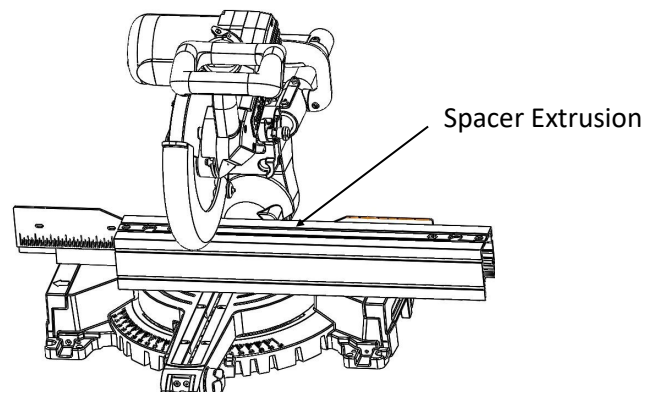
**48" minus 40" = 8" Cut Dimension**



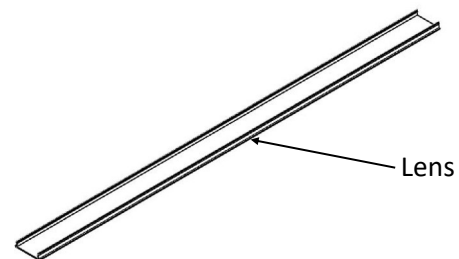
**48" - Length = Amount to be cut from Telescopic (Spacer) Fixture**

2. Trim "Cut Dimension" from Spacer Extrusion

- Use Aluminum Cutting Saw blade
- Ensure nothing is attached to housing

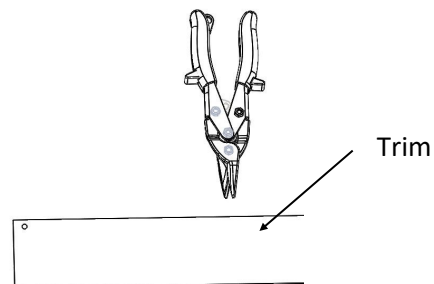


3. Trim "Cut Dimension" from Lens using a fine tooth saw blade or hacksaw. Cut slowly to avoid lens cracking



4. Trim "Cut Dimension" from Trim using Tin Snips or Cutting saw (for extrusion)

- Drill thru holes for mounting as required



## INSTALLATION INSTRUCTIONS

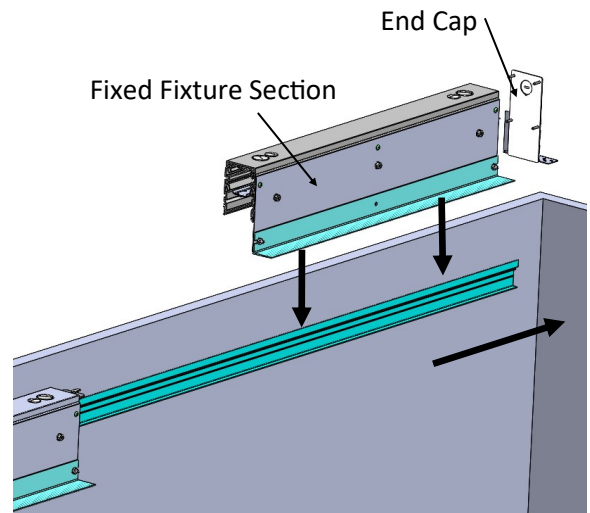
### Linear Fixtures

#### Telescopic Section Installation Instructions—End of Run

Installing Telescopic Fixture:

1. Always attach “Fixed Fixture” section of the Telescopic Fixture to the Wall Track first

- Attached End Cap at end of run
- Attach wire harness when connecting to another fixture section



2. Install **CUT** “Spacer Extrusion” section over gap & telescoping LED tray

- Slide Connection bracket (Joiner) inside housings prior to dropping Space Extrusion into position, then slide back into position and fasten (see sheet 5.)
- “Connection Bracket” not needed at end of run
- Slide telescoping LED Tray into position to fill the Spacer Extrusion and fasten
- Install Cut Lens

