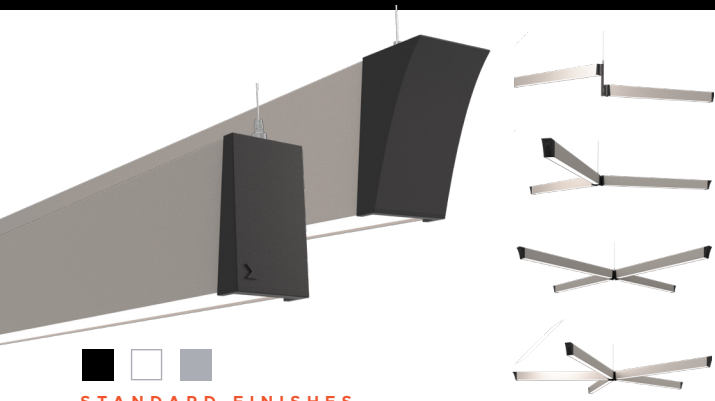
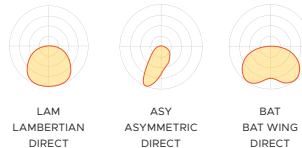


U.S. Patent No. US 11,112,101



STANDARD FINISHES
Black, White, & Silver



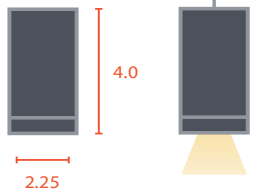
UP TO 109 lm/W PERFORMANCE

DIRECT LIGHT	WATTS PER FOOT
375 lm/ft	3.43
500 lm/ft	4.63
750 lm/ft	7.08
1000 lm/ft	9.63

Performance based on 4-foot luminaire at 4,000K @ 25-degrees C

LIGHT LOSS FACTOR

CCT	CRI	%
4000K	84+	100%
3500K	84+	97%
3000K	84+	95.7%
2700K	84+	94.1%
4000K	92+	88.9%
3500K	92+	85.5%
3000K	92+	83.8%
2700K	92+	82.4%



LUX | **ENABLED**

Suitable for Damp Locations

CERTIFIED SAFETY US-CA

5 YEAR WARRANTY

MADE IN U.S.A.

ORDER GUIDE

LNXX 2.0- P - D

A B C D E F G H I J K L M N O P (Multiple Selections)

EXAMPLE: LNXX20-P-D LAM 500 6 40K 8 1 UNV S1 W FE B 9C 102 WC WF

OPTIONS

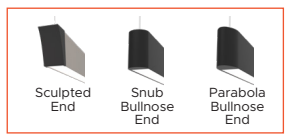
A. MODEL	B. DIRECT OPTICS	C. DIRECT DISTRIBUTION	D. LENGTH	E. COLOR TEMPERATURE	F. CRI	G. CIRCUIT				
LNXX 20-P-D	LAM	Lambertian	375	375 lm/ft	2	2 ft (24 in)	27K	2700K	8 80+CRI	1 1-Circuit
	ASY	Asymmetric	500	500 lm/ft	3	3 ft (36 in)	30K	3000K		
	BAT	Bat Wing	750	750 lm/ft	4	4 ft (48 in)	35K	3500K	9 90+CRI	2 2-Circuit
			1000	1000 lm/ft	5	5 ft (60 in)	40K	4000K		
			XXX	Custom lm/ft	6	6 ft (72 in)	WCT	White Color Tuning		
					7	7 ft (84 in)		2700K - 6500K		
					8	8 ft (96 in)	RGB	RGB		
					XXX	System Run	RGBW30	RGBW - W3000K		
					PIV XXX	Pattern	RGBW35	RGBW - W3500K		
					CEN XXX	Pattern	RGBW40	RGBW - W4000K		
				(PIV XXX)+(CEN XXX)	Pattern					

NOTES

Asymmetric direction is determined by lens position. Field adjustable for right or left throw.	Consult factory for outputs between min and max.	Refer to Pattern configuration guide below for nomenclature. Please see Pattern Guide on p.2 for further details.	WCT - max lm/ft is 1000 based on 80 CRI and 4000K. Other CCT's are available consult factory.	90 CRI option has an R9 value greater than 60.
--	--	---	---	--

H. VOLTAGE	I. DRIVER	J. HOUSING FINISH	K. END CAPS	L. END CAP FINISH	M. MOUNTING
UNV 120- 277V	S1 1% Dimming (0 - 10v)	W White	FE Flat End Cap	W White	9C 9/16 in Tee Clip
347 347v	LDE1 Lutron Hi-Lume 1% Fade to Black	B Black	SE Sculpted End Cap	B Black	15C 15/16 in Tee Clip
	ELO 0.1% EldoLED	S Silver	AE Adjustable End Cap	S Silver	SC Screw Slot Tee Clip
	DXL 1% Dixel	CC Custom Colors	SE Sculpted End Cap	CC Custom Colors	HC Hard Ceiling
			SB Snub Bullnose End Cap		
			PB Parabola Bullnose End Cap		

OPTIONS					
N. SUSPENSION LENGTH	O. POWER FEEDS & CANOPIES	P. CONTROLS & FACTORY OPTIONS <small>May choose more than one option in this category.</small>			
24 24 in	WF White Power Feed	NONE Leave Blank	SPD Enclium SensiLUM Daylight/Harvest/Occ	SLP Slope Ceiling	Emergency Shunt Relay Drop Lens 0.50" (Consult Factory)
42 42 in	BF Black Power Feed	AWN-R-W Lutron Athena Wireless Node (RF-only) in White	CLM Encelium Connecting Light Module (CLM)	ESR Emergency Shunt Relay	
102 102 in	SF Silver Power Feed	AWN-R-B Lutron Athena Wireless Node (RF-only) in Black	DAY Wattstopper Daylight Sensor (FD - 301)	DL Drop Lens 0.50" (Consult Factory)	
150 150 in	WC White Canopy	AWNS-W Lutron Athena Wireless Sensor (Occ) in White	OCC Wattstopper Occ Sensor (FS - 205v2)		
	BC Black Canopy	AWNS-B Lutron Athena Wireless Sensor (Occ) in Black	DOC Enlighted Daylight/Harvesting Occ (SU - 5E - 01)		
	SC Silver Canopy	VDO Lutron Vive (RF/Daylight/Occ)	EB Emergency Battery (10W)		
		VRF Lutron Vive RF Fixture Control Occ	EC Emergency Circuit		
			DW Daylight Circuit		
			NL Night Light Circuit		



Each individual suspension length is adjustable.

Select feed and canopy choice.

AWN-S-W, AWNS-B, AWNR-W, AWNR-B, VDO, VRF, SPD, & CLM options supplied with DXL driver standard. Emergency Shunt Relay typically required with Controls and EC circuits. Drop lens is for direct distribution only; available only on individual units

EB option only available for lengths greater than 4ft (RGBW will be White Channel only). EB not compatible with RGB. For EC circuits with RGB/RGBW a DMX Emergency Bypass Controller is required (by others)

End Cap options replace standard Flat end caps on individual units, runs and patterns - Same finish as housing

LIGHT SOURCE

Long life name brand LED chips and boards to ensure the highest of quality while providing even and smooth illumination throughout our luminaires.

Our luminaires are available in 2700K, 3000K, 3500K and 4000K color temperature as well as White Color Tuning (2700-6500K).

Optional 80CRI or 90CRI available in all CCT options.

LUMEN MAINTENANCE

The projected lumen maintenance of the name brand mid-powered LED's are projected to maintain 80% (L80) of their initial output for +80,000 hours.

CONSTRUCTION

The housings are constructed of (6063T5) extruded aluminum. Our internal joiner system is designed to the highest of standards to ensure our precision cut housings align and fit tightly without light leak. Our precision fitting end caps are constructed out of die cast aluminum and our steel reflectors are painted white.

FINISH

Polyester powder, low gloss textured paint finish applied after a multi-stage pretreatment. Standard luminaire finishes include white, silver, and black. Custom color options are available. (Consult Factory).

OPTICS

Snap in extruded frosted acrylic lens

DRIVERS

All of our luminaires come standard with 1% dimming and THD <20% utilizing 0-10v constant current protocol. 120v/277v is standard with the option of 347v. Drivers ambient operating temperature -30°C to +50°C.

EMERGENCY

An integral factory installed 10 watt emergency battery pack. Emergency circuit and Night Light circuit options are available.

LUMINAIRE LENGTH

Our LNXX 2.0 Pendant Direct/Indirect luminaire series are available in 2', 3', 4', 5', 6', 7' and 8' individual lengths or continuous row configurations. Continuous row configurations are joined together on-site utilizing the joiner kits provided.

LUMINAIRE WEIGHT

The approximate weight of a four foot luminaire is 12 lbs including end caps assembled.

PATTERN ORDERING GUIDE

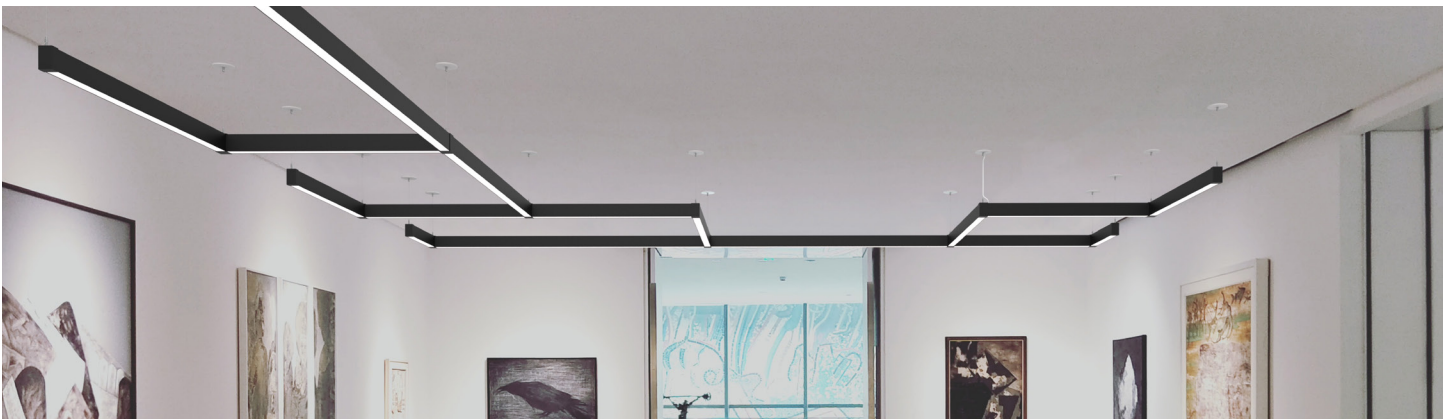
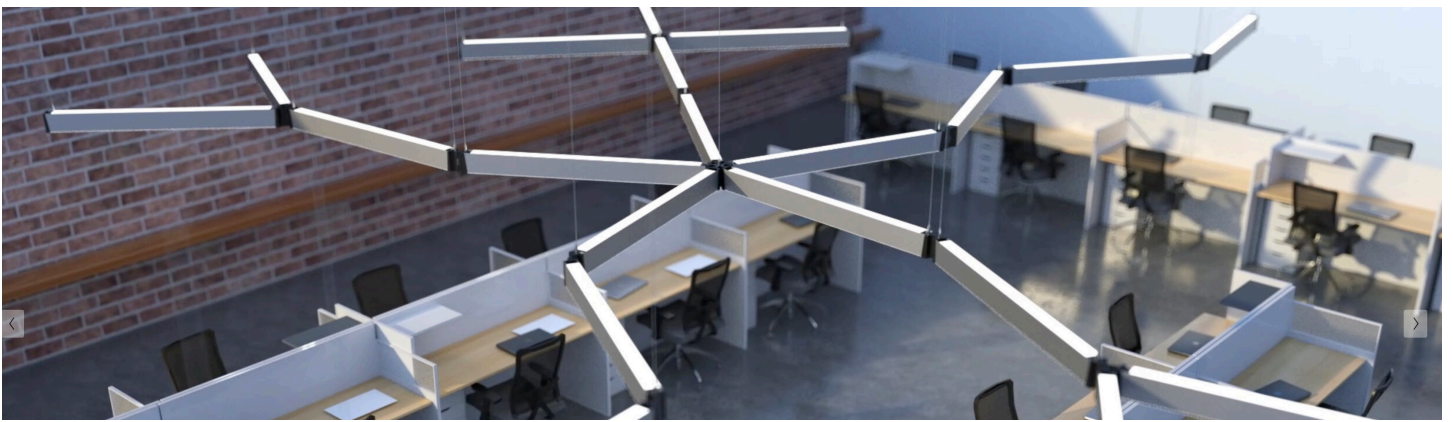
PATTERN GUIDE

V. Pivot		W. PIVOT CONNECTOR		X. PATTERN DIMENSIONS		Y. PIVOT FINISH		Z. PATTERN ORIENTATION	
Pivot	PIV	2L	2 Link	AxB	Run Lengths	W	White	C	Custom Pattern - Sketch or Drawing Always Required
		3L	3 Link	AxBxC					
		4L	4 Link	AxBxCxD					
		5L	5 Link	AxBxCxDxE					
		ELV8	8" Elevation Change	Total Footage					
		ELV12	12" Elevation Change						
		ELV16	16" Elevation Change						
		ELV20	20" Elevation Change						
		ELV24	24" Elevation Change						
		ELV28	28" Elevation Change						
		ELV32	32" Elevation Change						
		ELV36	36" Elevation Change						
		ML(#)	Multiple Links						
		MELV(#)	Multiple Elevation Changes						

CENTRO ORDERING GUIDE

V. Centro		W. CENTRO CONNECTOR		X. PATTERN DIMENSIONS		Y. CENTRO FINISH		Z. PATTERN ORIENTATION	
Centro	CEN	C-135L	135 Degree 2 Link	AxB	Run Lengths	W	White	C	Custom Pattern - Sketch or Drawing Always Required
		C-120L	120 Degree 2 Link	AxBxC					
		C-90L	90 Degree 2 Link	AxBxCxD					
		C-60L	60 Degree 2 Link	AxBxCxDxE					
		C-45L	45 Degree 2 Link	Total Footage					
		C-30L	30 Degree 2 Link						
		C-90T	90 Degree 3 Link						
		C-135X	135 Degree 4 Link						
		C-120X	120 Degree 4 Link						
		C-90X	90 Degree 4 Link						
		C-120Y	120 Degree 3 Link						
		C-135Y	135 Degree 3 Link						
		C-ORB2P	2 Way Orbit Hub Planar						
		C-ORB3P	3 Way Orbit Hub Planar						
		C-ORB2O	2 Way Orbit Hub Offset						
		C-ORB3O	3 Way Orbit Hub Offset						





U.S. Patent No. US 11,112,101

STANDARD SINGLE LENGTH PIVOT PATTERN EXAMPLES



Adjustable 2 arm pivot connector.

PIV	2L	4X4	B	C
V	W	X	Y	Z

D

Above code gets entered in "D" LENGTH field of ordering guide.



Adjustable 3 arm pivot connector.

PIV	3L	4X4X4	B	C
V	W	X	Y	Z

D

Above code gets entered in "D" LENGTH field of ordering guide.



Adjustable 4 arm pivot connector.

PIV	4L	4X4X4X4	B	C
V	W	X	Y	Z

D

Above code gets entered in "D" LENGTH field of ordering guide.



Adjustable 5 arm pivot connector.

PIV	5L	3X3X3X3X3	B	C
V	W	X	Y	Z

D

Above code gets entered in "D" LENGTH field of ordering guide.



Adjustable elevator pivot connector.

PIV	ELV12	4X4	B	C
V	W	X	Y	Z

D

Above code gets entered in "D" LENGTH field of ordering guide.

NOTES

More detailed example on page 6

Customer to provide a drawing for all patterns with more than (1) pivot connector

CUSTOM LENGTH PATTERN EXAMPLES



PIV	ML(9)	MELV(6)	76	B	C
V	W	X	Y	Z	

D

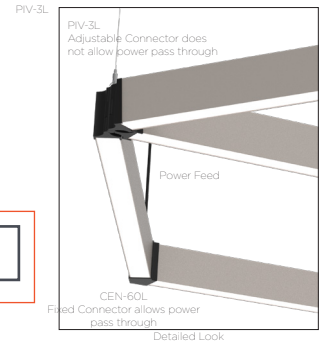
Above code using both Pivot and Centro connection points



PIV	ML(3)	CEN-60L(3)	24	B	C
V	W	X	Y	Z	

D

Above code using both Pivot and Centro connection points



NOTES

Customer to provide a drawing for all patterns with more than (1) pivot connector



STANDARD SINGLE LENGTH FIXED CENTRO HUB PATTERN EXAMPLES



135L Centro Hub Fixed connector.

CEN	C-135L	4X4	B	C
V	W	X	Y	Z

D

Above code gets entered in "D" LENGTH field of ordering guide.



120L Centro Hub Fixed connector.

CEN	C-120L	4X4	B	C
V	W	X	Y	Z

D

Above code gets entered in "D" LENGTH field of ordering guide.



90L Centro Hub Fixed connector.

CEN	C-90L	4X4	B	C
V	W	X	Y	Z

D

Above code gets entered in "D" LENGTH field of ordering guide.



90T Centro Hub Fixed connector.

CEN	C-90T	3X3X3	B	C
V	W	X	Y	Z

D

Above code gets entered in "D" LENGTH field of ordering guide.



90X Centro Hub Fixed connector.

CEN	C-90X	4X4X4X4	B	C
V	W	X	Y	Z

D

Above code gets entered in "D" LENGTH field of ordering guide.



120Y Centro Hub Fixed connector.

CEN	C-120Y	4X4X4	B	C
V	W	X	Y	Z

D

Above code gets entered in "D" LENGTH field of ordering guide.



135Y Centro Hub Fixed connector.

CEN	C-135Y	3X3X3	B	C
V	W	X	Y	Z

D

Above code gets entered in "D" LENGTH field of ordering guide.

CUSTOM LENGTH PATTERN EXAMPLES



CEN	C-90T(2) C-90L(4)	76	B	C
V	W	X	Y	Z

D

Above code gets entered in "D" LENGTH field of ordering guide.

U.S. Patent No. US 11,112,101

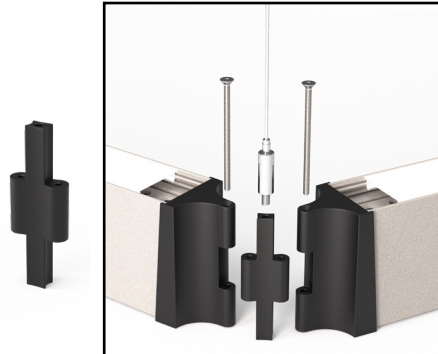
LNXX PIVOT CONNECTORS

Adjustable non-illuminated, pivot connectors allow for in-the-field adjustments from 60 - 240° in the field.

(AE)
Adjustable end cap



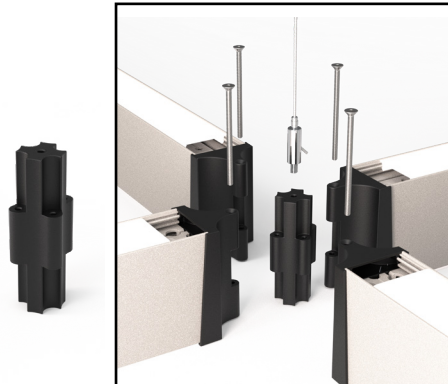
(PIV-2L)
Adjustable 2 arm pivot connector.



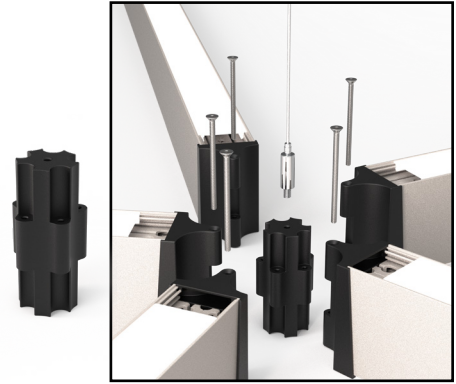
(PIV-3L)
Adjustable 3 arm pivot connector.



(PIV-4L)
Adjustable 4 arm pivot connector.

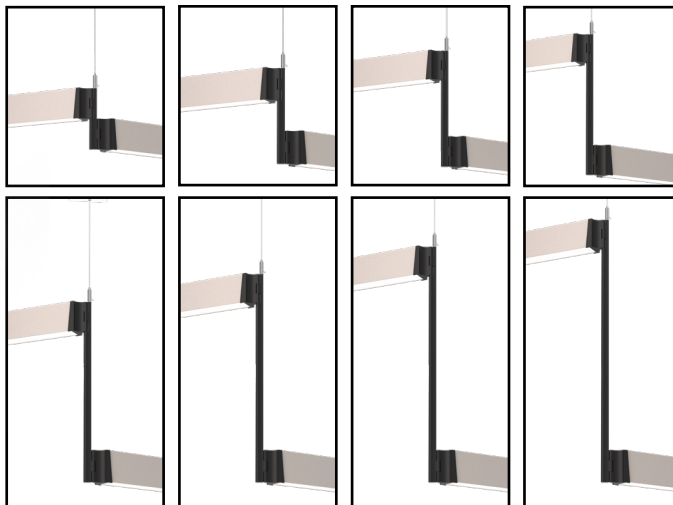


(PIV-5L)
Adjustable 5 arm pivot connector.



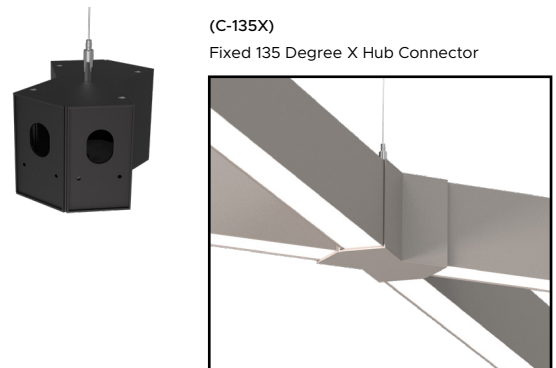
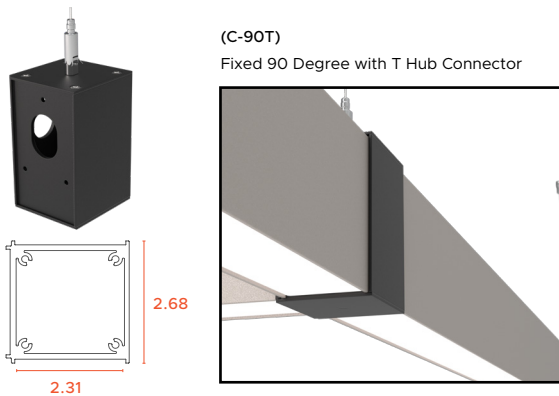
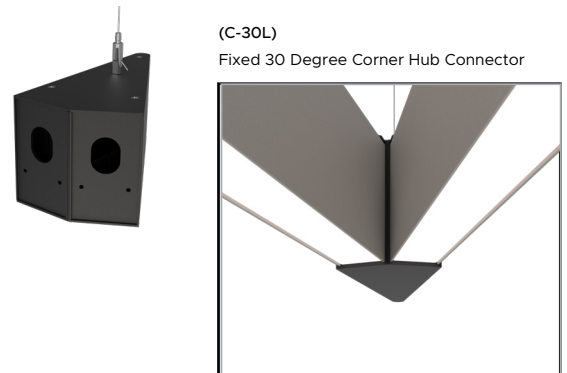
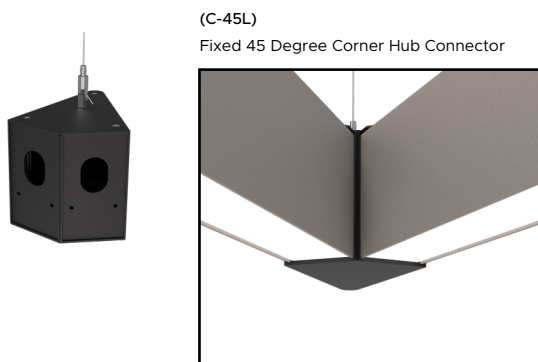
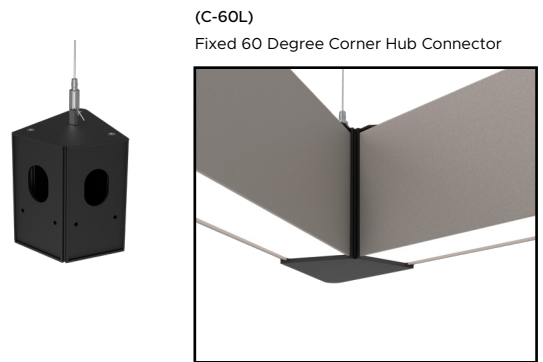
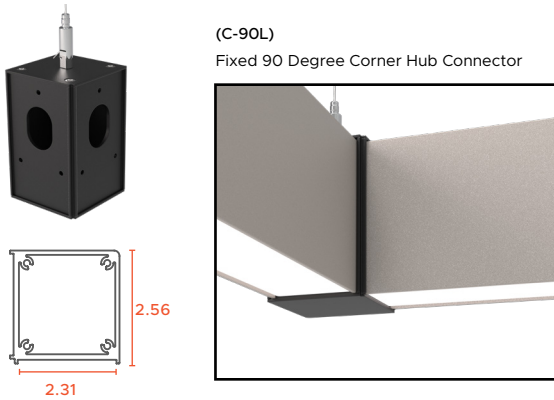
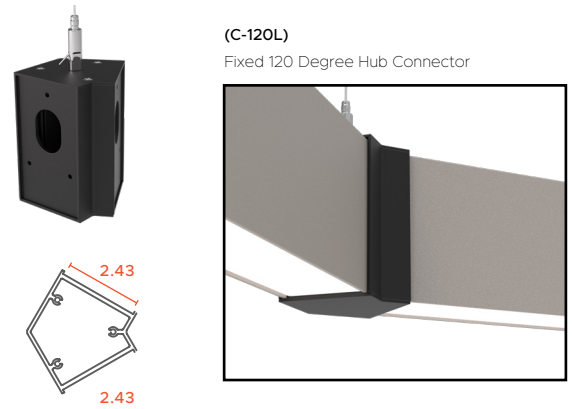
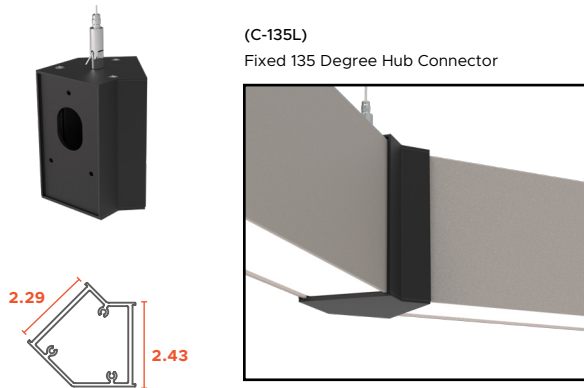
(PIV-ELV (Length))
Adjustable Elevator arm pivot connector.

Available in 8", 12", 16", 20", 24", 28", 32", and 36".



CENTRO HUB CONNECTORS

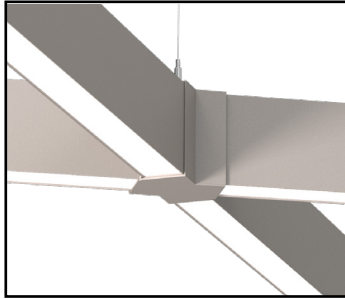
Fixed non-illuminated, connectors allow for power pass through.



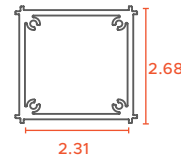
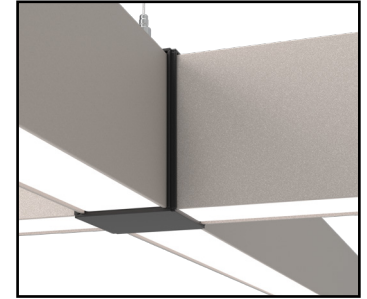
CENTRO HUB CONNECTORS

Fixed non-illuminated, connectors allow for power pass through.

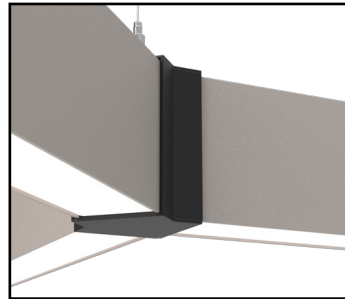
(C-120X)
Fixed 120 Degree X Hub Connector



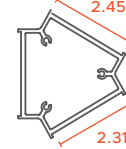
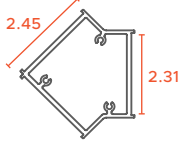
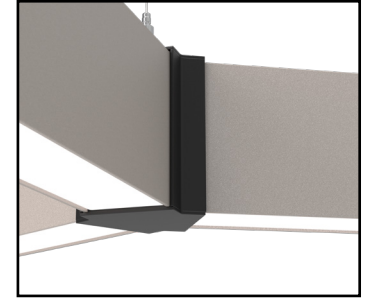
(C-90X)
Fixed 90 Degree X Hub Connector



(C-135Y)
Fixed 135 Degree Y Hub Connector



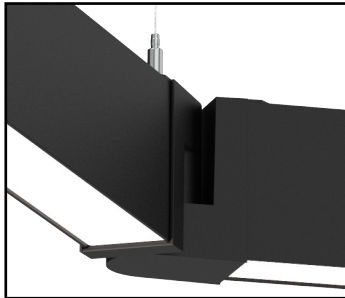
(C-120Y)
Fixed 120 Degree Y Hub Connector



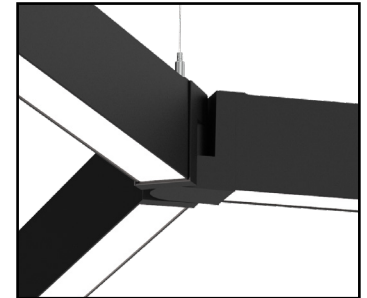
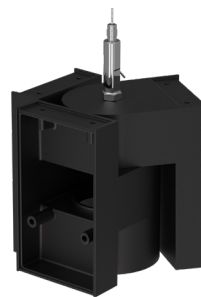
CENTRO HUB ORBIT CONNECTORS

Adjustable non-illuminated, connectors allow for power pass through.

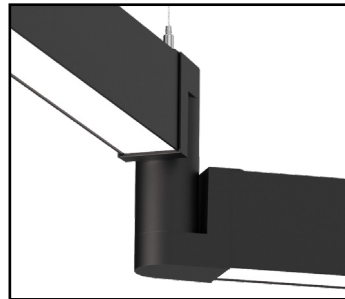
(C-ORB2P)
2 Way Orbit Hub Planar



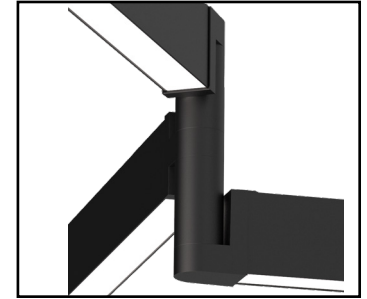
(C-ORB3P)
3 Way Orbit Hub Planar



(C-ORB2O)
2 Way Orbit Hub Offset



(C-ORB3O)
3 Way Orbit Hub Offset



STANDARD FINISHES

The LNXX 2.0 enhances the aesthetic of any space through flexible color combinations. Choose a white, black or silver housing with 1 of 4 standard end cap colors. Custom colors are also available upon request.

COLOR HOUSING COMBINATIONS



WHITE
Shown with White Housing, Black End Cap and Silver Cleat

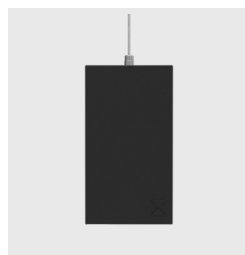


SILVER
Shown with Silver Housing, Silver End Cap and Silver Cleat



BLACK
Shown with Black Housing, Black End Cap and Silver Cleat

END CAP COLORS



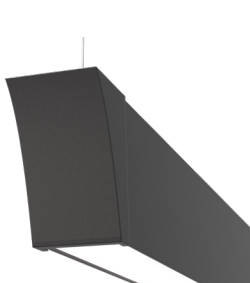
PIVOT CONNECTION COLORS



END CAP OPTIONS



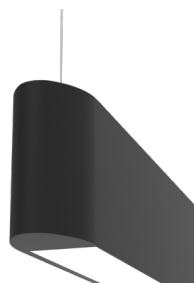
(FE) FLAT
END CAP



(SE) SCULPTED
END CAP



(SB) SNUB BULLNOSE
END CAP



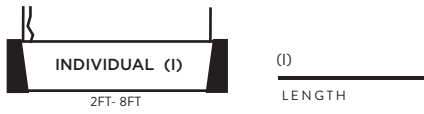
(PB) PARABOLA
BULLNOSED END CAP



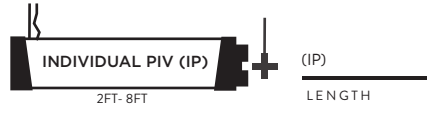
(AE) ADJUSTABLE
END CAP

U.S. Patent No. US 11,112,101

CUSTOM PIVOT KEY

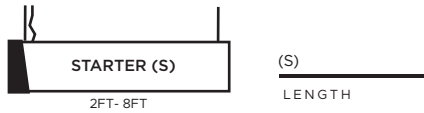
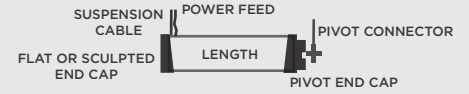


COMES WITH:
(2) Suspension Cable and (1) Power Feed

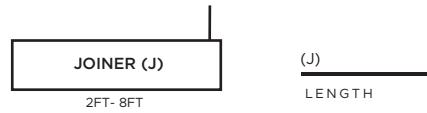


COMES WITH:
(1) Suspension Cable and (1) Power Feed
Secondary suspension comes with pivot connector.

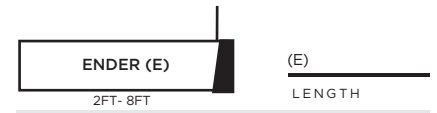
CUSTOM PIVOT KEY EXAMPLE



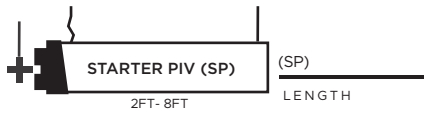
COMES WITH:
(2) Suspension Cables and (1) Power Feed



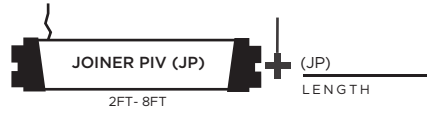
COMES WITH:
(1) Suspension Cable



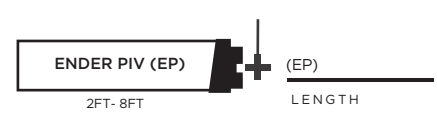
COMES WITH:
(1) Suspension Cable



COMES WITH:
(1) Suspension Cable and (1) Power Feed
Secondary suspension comes with pivot connector.

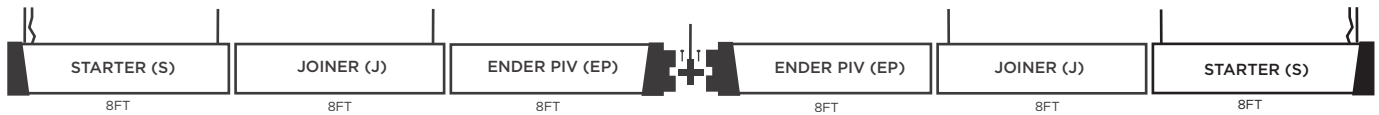


COMES WITH:
(1) Power Feed
Suspension points are on pivot connectors.



Suspension point is on pivot connector.

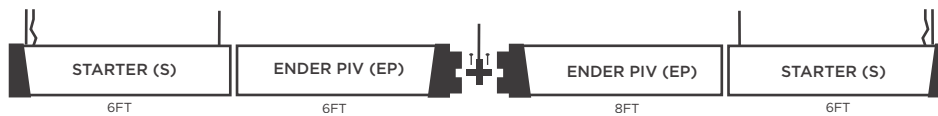
CUSTOM PIVOT EXAMPLE



Adjustable 2 arm pivot connector.



F
Above code gets entered in "F" LENGTH field of ordering guide.



Adjustable 2 arm pivot connector.



F
Above code gets entered in "F" LENGTH field of ordering guide.



U.S. Patent No. US 11,112,101

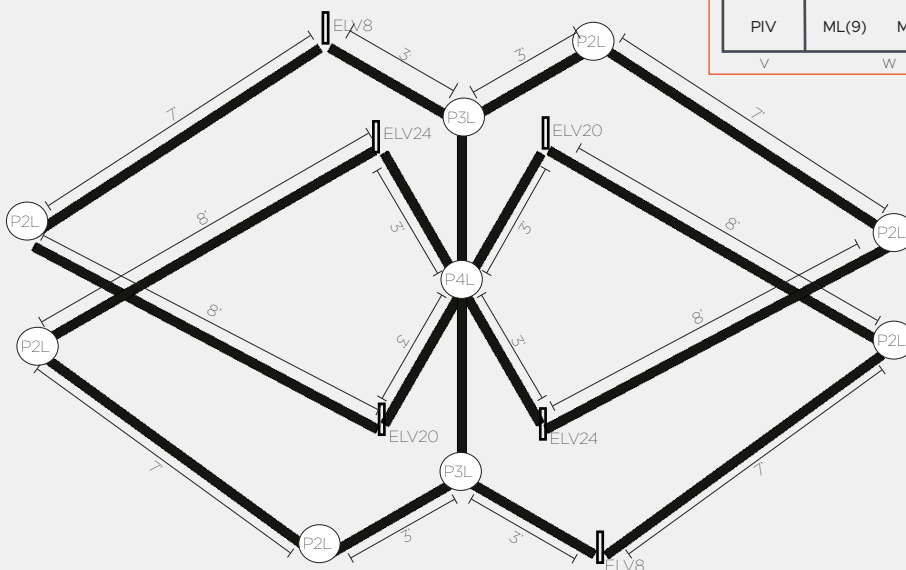
SKETCH CUSTOM PATTERN & DIMENSIONS

Include a simple sketch to illustrate your projects scope.
Use the key provided to identify length of arms, runs and connectors.
(Does not need to be to same scale).

3' Arm | 4' Arm | 5' Arm | 6' Arm | 7' Arm | 8' Arm

P2L 2 Arm Connector
 P3L 3 Arm Connector
 P4L 4 Arm Connector
 P5L 5 Arm Connector
 Flat Endcap
 Sculpted Endcap
 ELV (Height X)
 Elevation Heights 8', 12', 16', 20', 24', 28', 32', 36' Connector

CUSTOM DESIGN EXAMPLE



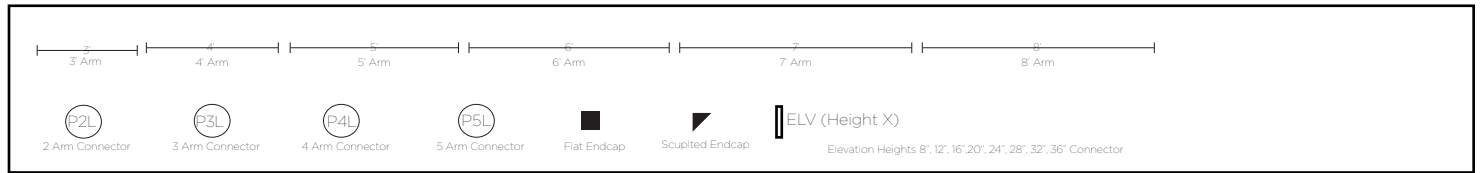
DESIGN RENDER



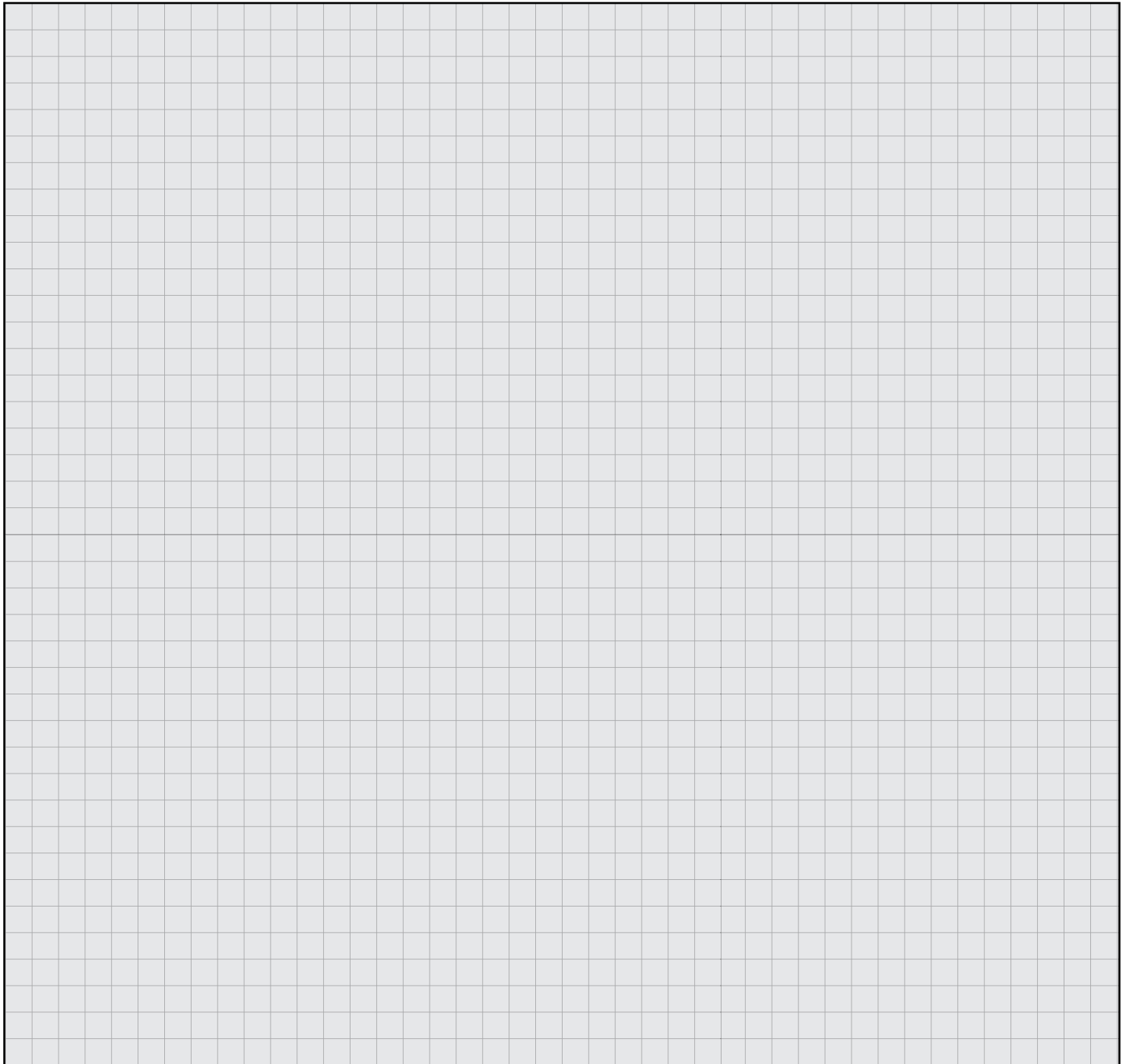
U.S. Patent No. US 11,112,101

SKETCH CUSTOM PATTERN & DIMENSIONS

Include a simple sketch to illustrate your projects scope.
Use the key provided to identify length of arms, runs and connectors.
(Does not need to be to same scale).



YOUR SKETCH



CONTINUOUS RUN ORDER GUIDES

Please use the following run guides for fixture ordering. If your product will require a submittal, our in-house Application Engineering Team will work closely with you on your project.

ALUMINUM PRODUCT ORDER GUIDE	
RUN LENGTH (ft)	RUN CONFIGURATION - SECTION LENGTHS
9	6' + 3'
10	6' + 4'
11	6' + 5'
12	6' + 6'
13	6' + 7'
14	8' + 6'
15	8' + 7'
16	8' + 8'
17	6' + 5' + 6'
18	6' + 6' + 6'
19	6' + 7' + 6'
20	8' + 4' + 8'
21	8' + 5' + 8'
22	8' + 6' + 8'
23	8' + 7' + 8'
24	8' + 8' + 8'
25	5' + 8' + 8' + 4'
26	4' + 6' + 6' + 6' + 4'
27	6' + 8' + 8' + 5'
28	6' + 8' + 8' + 6'
29	7' + 8' + 8' + 6'

*Standard Run Configurations Shown, Consult Factory for Custom Configurations.

ALUMINUM PRODUCT ORDER GUIDE	
RUN LENGTH (ft)	RUN CONFIGURATION - SECTION LENGTHS
30	6' + 6' + 6' + 6' + 6'
31	6' + 6' + 7' + 6' + 6'
32	8' + 8' + 8' + 8'
33	5' + 8' + 8' + 8' + 4'
34	6' + 8' + 8' + 8' + 4'
35	6' + 8' + 8' + 8' + 5'
36	6' + 8' + 8' + 8' + 6'
37	8' + 8' + 5' + 8' + 8'
38	8' + 8' + 6' + 8' + 8'
39	8' + 8' + 7' + 8' + 8'
40	8' + 8' + 8' + 8' + 8'
41	5' + 8' + 8' + 8' + 8' + 4'
42	6' + 8' + 8' + 8' + 8' + 4'
43	6' + 8' + 8' + 8' + 8' + 5'
44	6' + 8' + 8' + 8' + 8' + 6'
45	7' + 8' + 8' + 8' + 8' + 6'
46	3' + 8' + 8' + 8' + 8' + 8' + 3'
47	4' + 8' + 8' + 8' + 8' + 8' + 3'
48	8' + 8' + 8' + 8' + 8' + 8'
49	5' + 8' + 8' + 8' + 8' + 8' + 4'
50	6' + 8' + 8' + 8' + 8' + 8' + 4'

*Standard Run Configurations Shown, Consult Factory for Custom Configurations.

