

U.S. Patent No. US 11,112,101

LIGHT SOURCE

Long life name brand LED chips and boards to ensure the highest of quality while providing even and smooth illumination throughout our luminaires.

Our luminaires are available in 2700K, 3000K, 3500K and 4000K color temperature as well as White Color Tuning (2700-6500K).

Optional 80CRI or 90CRI available in all CCT options.

LUMEN MAINTENANCE

The projected lumen maintenance of the name brand mid-powered LED's are projected to maintain 80% (L80) of their initial output for +80,000 hours.

CONSTRUCTION

The housings are constructed of (6063T5) extruded aluminum. Our internal joiner system is designed to the highest of standards to ensure our precision cut housings align and fit tightly without light leak. Our precision fitting end caps are constructed out of die cast aluminum and our steel reflectors are painted white.

FINISH

Polyester powder, low gloss textured paint finish applied after a multi-stage pretreatment. Standard luminaire finishes include white, silver, and black. Custom color options are available. (Consult Factory).

OPTICS

Snap in extruded frosted acrylic lens

DRIVERS

All of our luminaires come standard with 1% dimming and THD <20% utilizing 0-10v constant current protocol. 120v/277v is standard with the option of 347v. Driver ambient operating temperature -30°C to +50°C.

EMERGENCY

An integral factory installed 10 watt emergency battery pack. Emergency circuit and Night Light circuit options are available.

LUMINAIRE LENGTH

Our LNXX 2.0 Pendant Direct/Indirect luminaire series are available in 3', 4', 5', 6', 7' and 8' individual lengths or continuous row configurations. Continuous row configurations are joined together on-site utilizing the joiner kits provided.

LUMINAIRE WEIGHT

The approximate weight of a four foot luminaire is 12 lbs Including end caps assembled.

PATTERN GUIDE

V. Pivot		W. PIVOT CONNECTOR		X. PATTERN DIMENSIONS		Y. PIVOT FINISH		Z. PATTERN ORIENTATION	
Pivot	PIV	PIVOT		AxB	W	White	Custom Pattern		C
		2L	2 Link	AxBxC	B	Black	- Sketch or Drawing Always Required		
		3L	3 Link	AxBxCxD	S	Silver			
		4L	4 Link	AxBxCxDxE	CC	Custom Color			
		5L	5 Link	Total Footage					
		ELV8	8" Elevation Change						
		ELV12	12" Elevation Change						
		ELV16	16" Elevation Change	<i>Run Lengths</i>					
		ELV20	20" Elevation Change						
		ELV24	24" Elevation Change						
		ELV28	28" Elevation Change						
		ELV32	32" Elevation Change						
		ELV36	36" Elevation Change						
		ML(#)	Multiple Links						
		MELV(#)	Multiple Elevation Changes						

PATTERN GUIDE

V. Centro		W. CENTRO CONNECTOR		X. PATTERN DIMENSIONS		Y. CENTRO FINISH		Z. PATTERN ORIENTATION	
Centro	CEN	CENTRO		AxB	W	White	Custom Pattern		C
		C-135L	135 Degree 2 Link	AxBxC	B	Black	- Sketch or Drawing Always Required		
		C-120L	120 Degree 2 Link	AxBxCxD	S	Silver			
		C-90L	90 Degree 2 Link	AxBxCxDxE	CC	Custom Color			
		C-60L	60 Degree 2 Link	Total Footage					
		C-45L	45 Degree 2 Link						
		C-30L	30 Degree 2 Link						
		C-90T	90 Degree 3 Link	<i>Run Lengths</i>					
		C-135X	135 Degree 4 Link						
		C-120X	120 Degree 4 Link						
		C-90X	90 Degree 4 Link						
		C-120Y	120 Degree 3 Link						
		C-135Y	135 Degree 3 Link						
		C-ORB2P	2 Way Orbit Hub Planar						
		C-ORB3P	3 Way Orbit Hub Planar						
		C-ORB2O	2 Way Orbit Hub Offset						
		C-ORB3O	3 Way Orbit Hub Offset						



U.S. Patent No. US 11,112,101

STANDARD SINGLE LENGTH PIVOT PATTERN EXAMPLES



Adjustable 2 arm pivot connector.

PIV	2L	4X4	B	C
V	W	X	Y	Z

F

Above code gets entered in "F" LENGTH field of ordering guide.



Adjustable 3 arm pivot connector.

PIV	3L	4X4X4	B	C
V	W	X	Y	Z

F

Above code gets entered in "F" LENGTH field of ordering guide.



Adjustable 4 arm pivot connector.

PIV	4L	4X4X4X4	B	C
V	W	X	Y	Z

F

Above code gets entered in "F" LENGTH field of ordering guide.



Adjustable 5 arm pivot connector.

PIV	5L	3X3X3X3X3	B	C
V	W	X	Y	Z

F

Above code gets entered in "F" LENGTH field of ordering guide.



Adjustable elevator pivot connector.

PIV	ELV12	4X4	B	C
V	W	X	Y	Z

F

Above code gets entered in "F" LENGTH field of ordering guide.

NOTES

More detailed example on page 6

Customer to provide a drawing for all patterns with more than (1) pivot connector

CUSTOM LENGTH PATTERN EXAMPLES



PIV	ML(9)	MELV(6)	76	B	C
V	W	X	Y	Z	

F

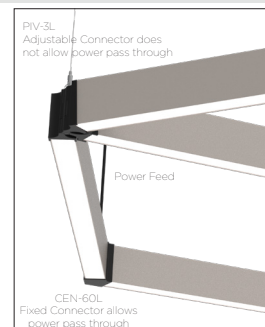


PIV+CEN	ML(3)	CEN-60L(3)	24	B	C
V	W	X	Y	Z	

F

Above code using both Pivot and Centro connection points

PIV-3L



PIV-3L Adjustable Connector does not allow power pass through

Power Feed

CEN-60L Fixed Connector allows power pass through

Detailed Look

STANDARD SINGLE LENGTH FIXED CENTRO HUB PATTERN EXAMPLES



135L Centro Hub Fixed connector.

CEN	C-135L	4X4	B	C
V	W	X	Y	Z

F

Above code gets entered in "F" LENGTH field of ordering guide.



120L Centro Hub Fixed connector.

CEN	C-120L	4X4	B	C
V	W	X	Y	Z

F

Above code gets entered in "F" LENGTH field of ordering guide.



90L Centro Hub Fixed connector.

CEN	C-90L	4X4	B	C
V	W	X	Y	Z

F

Above code gets entered in "F" LENGTH field of ordering guide.



90T Centro Hub Fixed connector.

CEN	C-90T	3X3X3	B	C
V	W	X	Y	Z

F

Above code gets entered in "F" LENGTH field of ordering guide.



90X Centro Hub Fixed connector.

CEN	C-90X	4X4X4X4	B	C
V	W	X	Y	Z

F

Above code gets entered in "F" LENGTH field of ordering guide.



120Y Centro Hub Fixed connector.

CEN	C-120Y	4X4X4	B	C
V	W	X	Y	Z

F

Above code gets entered in "F" LENGTH field of ordering guide.



135Y Centro Hub Fixed connector.

CEN	C-135Y	3X3X3	B	C
V	W	X	Y	Z

F

Above code gets entered in "F" LENGTH field of ordering guide.



U.S. Patent No. US 11,112,101

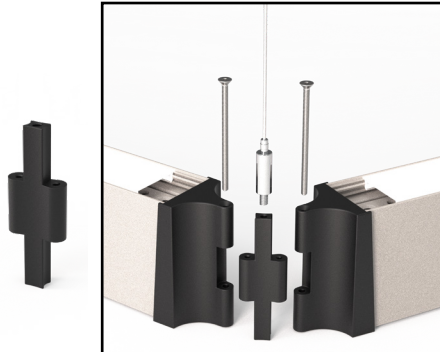
LNXX PIVOT CONNECTORS

Adjustable non-illuminated, pivot connectors allow for in-the-field adjustments from 60 - 240° in the field.

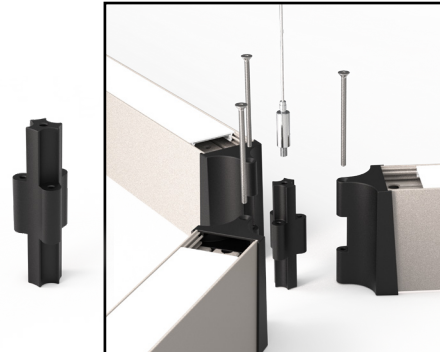
(AE)
Adjustable end cap



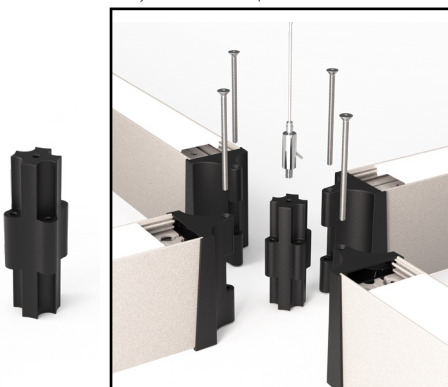
(PIV-2L)
Adjustable 2 arm pivot connector.



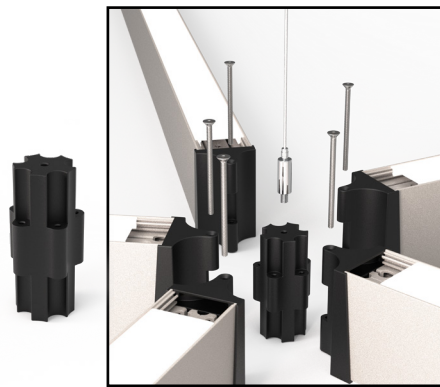
(PIV-3L)
Adjustable 3 arm pivot connector.



(PIV-4L)
Adjustable 4 arm pivot connector.

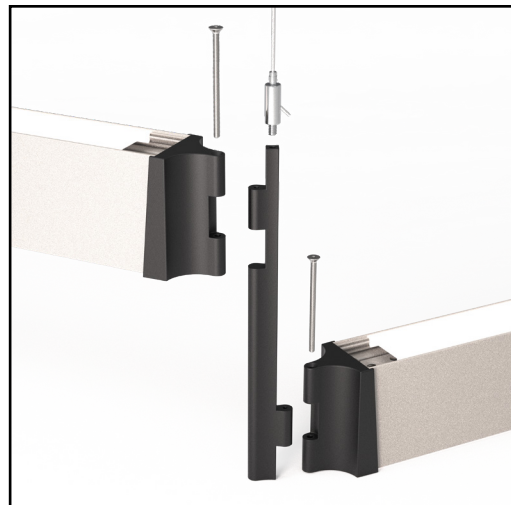
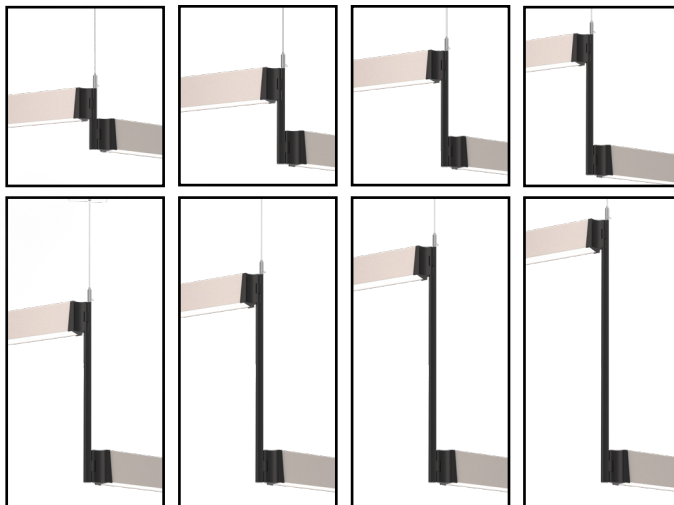


(PIV-5L)
Adjustable 5 arm pivot connector.



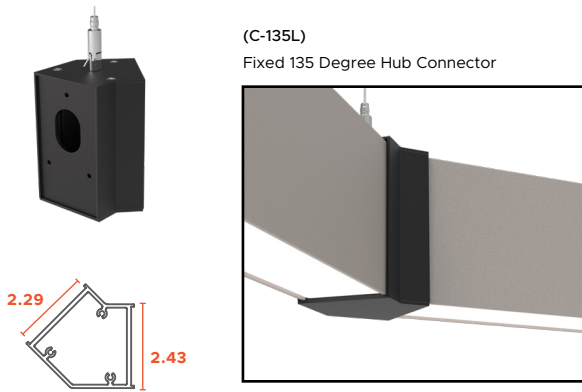
(PIV-ELV (Length))
Adjustable Elevator arm pivot connector.

Available in 8", 12", 16", 20", 24", 28", 32", and 36".

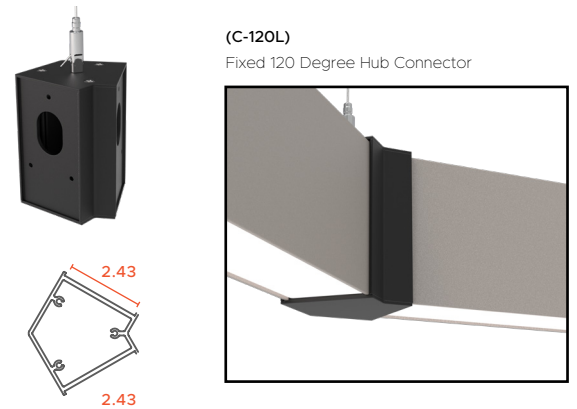


CENTRO HUB CONNECTORS

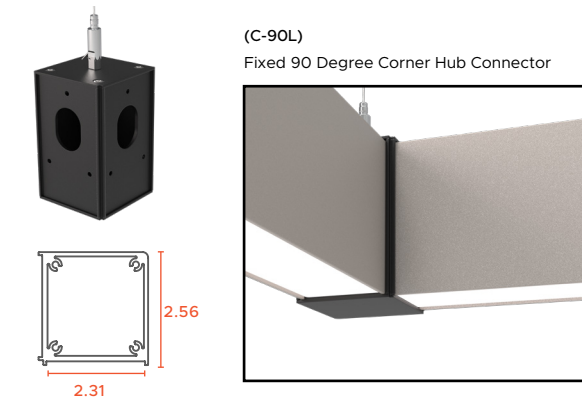
Fixed non-illuminated, connectors allow for power pass through.



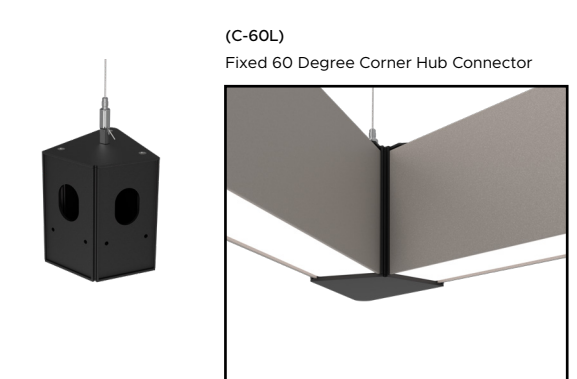
(C-135L)
Fixed 135 Degree Hub Connector



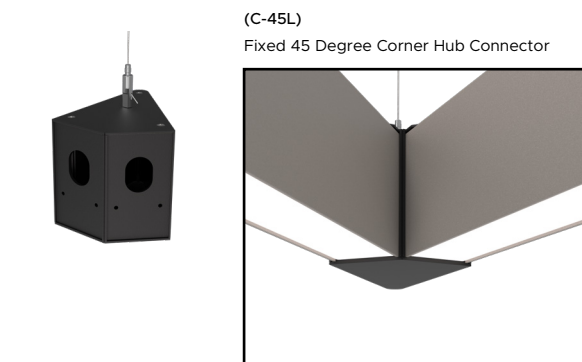
(C-120L)
Fixed 120 Degree Hub Connector



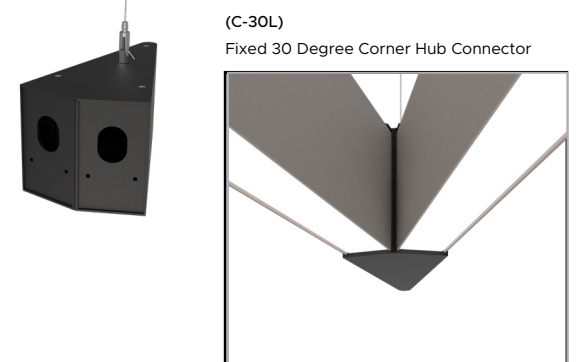
(C-90L)
Fixed 90 Degree Corner Hub Connector



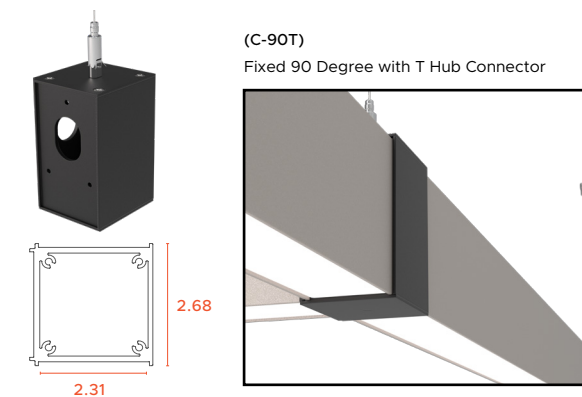
(C-60L)
Fixed 60 Degree Corner Hub Connector



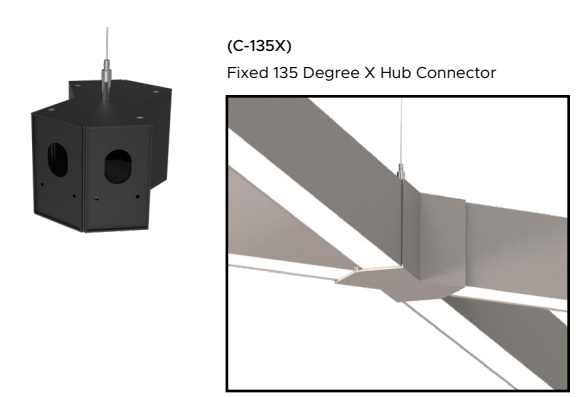
(C-45L)
Fixed 45 Degree Corner Hub Connector



(C-30L)
Fixed 30 Degree Corner Hub Connector



(C-90T)
Fixed 90 Degree with T Hub Connector

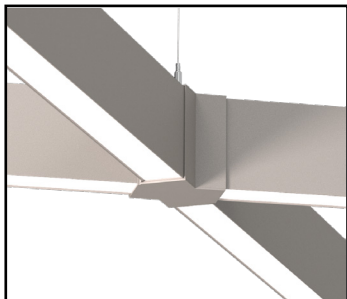


(C-135X)
Fixed 135 Degree X Hub Connector

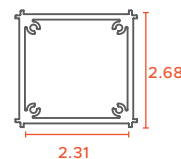
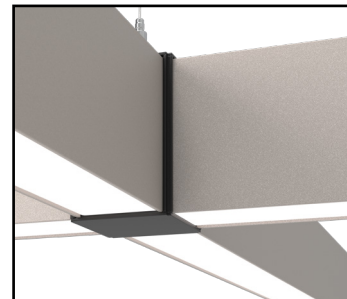
CENTRO HUB CONNECTORS

Fixed non-illuminated, connectors allow for power pass through.

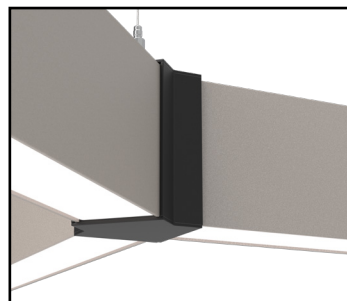
(C-120X)
Fixed 120 Degree X Hub Connector



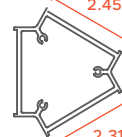
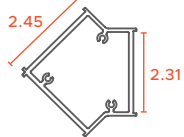
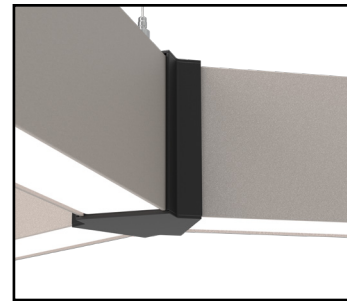
(C-90X)
Fixed 90 Degree X Hub Connector



(C-135Y)
Fixed 135 Degree Y Hub Connector



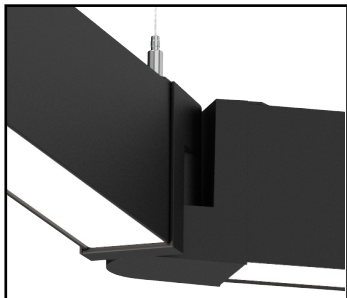
(C-120Y)
Fixed 120 Degree Y Hub Connector



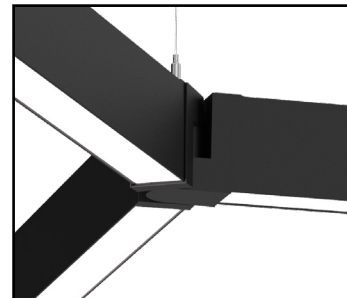
CENTRO HUB ORBIT CONNECTORS

Adjustable non-illuminated, connectors allow for power pass through.

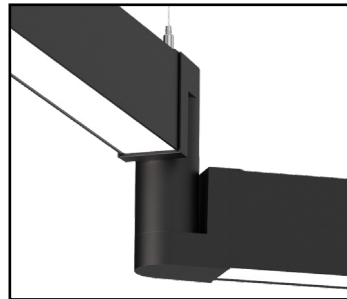
(C-ORB2P)
2 Way Orbit Hub Planar



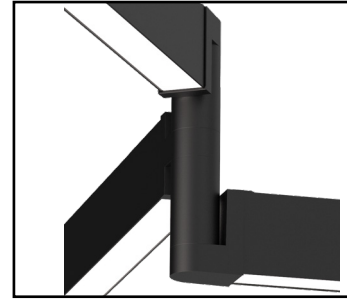
(C-ORB3P)
3 Way Orbit Hub Planar



(C-ORB2O)
2 Way Orbit Hub Offset



(C-ORB3O)
3 Way Orbit Hub Offset



U.S. Patent No. US 11,112,101

STANDARD FINISHES

The LNXX 2.0 enhances the aesthetic of any space through flexible color combinations. Choose a white, black or silver housing with 1 of 4 standard end cap colors. Custom colors are also available upon request.

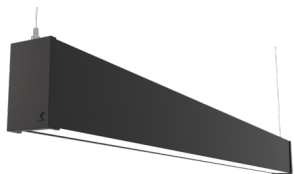
COLOR HOUSING COMBINATIONS



WHITE
Shown with White Housing, Black End Cap and Silver Cleat

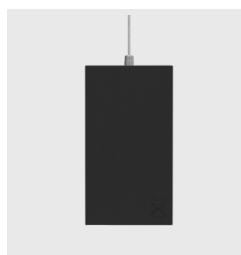


SILVER
Shown with Silver Housing, Silver End Cap and Silver Cleat



BLACK
Shown with Black Housing, Black End Cap and Silver Cleat

END CAP COLORS



PIVOT CONNECTION COLORS



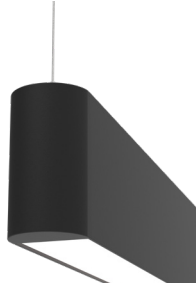
END CAP OPTIONS



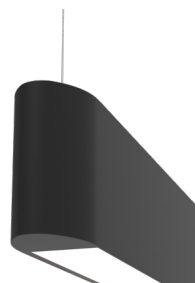
(FE) FLAT END CAP



(SE) SCULPTED END CAP



(SB) SNUB BULLNOSE END CAP



(PB) PARABOLA BULLNOSED END CAP

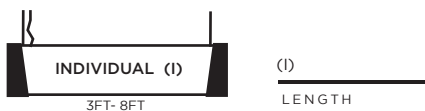


(AE) ADJUSTABLE END CAP

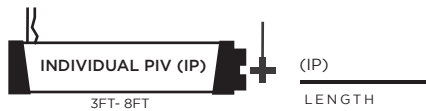


U.S. Patent No. US 11,112,101

CUSTOM PIVOT KEY

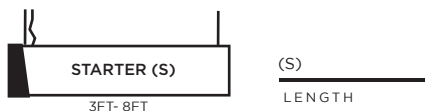


COMES WITH:
(2) Suspension Cable and (1) Power Feed

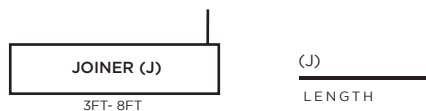


COMES WITH:
(1) Suspension Cable and (1) Power Feed
Secondary suspension comes with pivot connector.

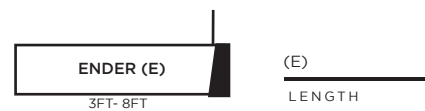
CUSTOM PIVOT KEY EXAMPLE



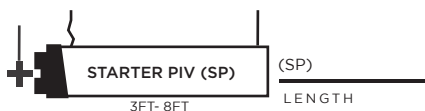
COMES WITH:
(2) Suspension Cables and (1) Power Feed



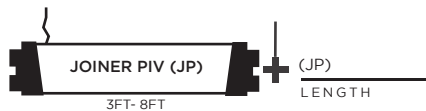
COMES WITH:
(1) Suspension Cable



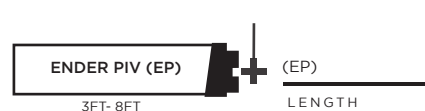
COMES WITH:
(1) Suspension Cable



COMES WITH:
(1) Suspension Cable and (1) Power Feed
Secondary suspension comes with pivot connector.

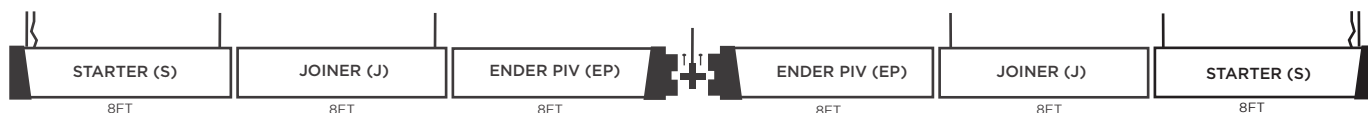


COMES WITH:
(1) Power Feed
Suspension points are on pivot connectors.



Suspension point is on pivot connector.

CUSTOM PIVOT EXAMPLE

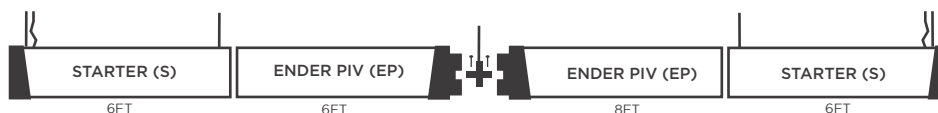


Adjustable 2 arm pivot connector.



F

Above code gets entered in "F" LENGTH field of ordering guide.



Adjustable 2 arm pivot connector.



F

Above code gets entered in "F" LENGTH field of ordering guide.



U.S. Patent No. US 11,112,101

SKETCH CUSTOM PATTERN & DIMENSIONS

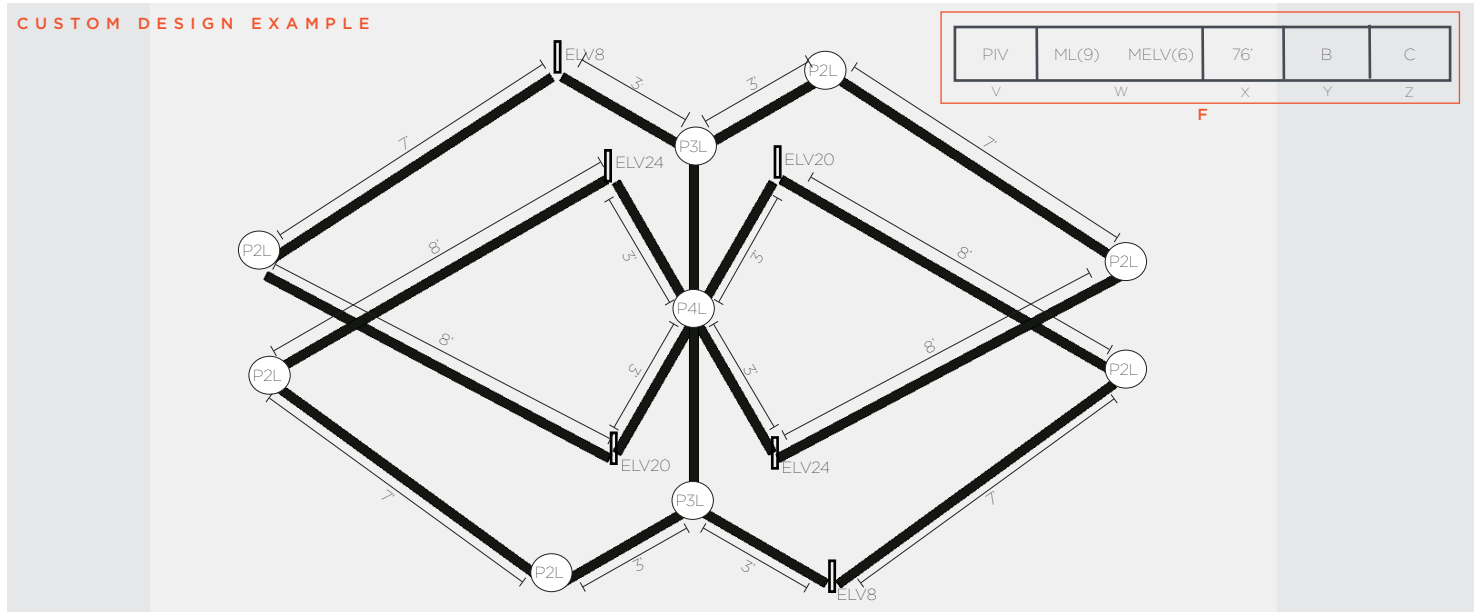
Include a simple sketch to illustrate your projects scope.
Use the key provided to identify length of arms, runs and connectors.
(Does not need to be to same scale).

3 Arm 4 Arm 5 Arm 6 Arm 7 Arm 8 Arm

P2L P3L P4L P5L ■ ▴ || ELV (Height X)

2 Arm Connector 3 Arm Connector 4 Arm Connector 5 Arm Connector Flat Endcap Sculpted Endcap Elevation Heights 8", 12", 16", 20", 24", 28", 32", 36" Connector

CUSTOM DESIGN EXAMPLE



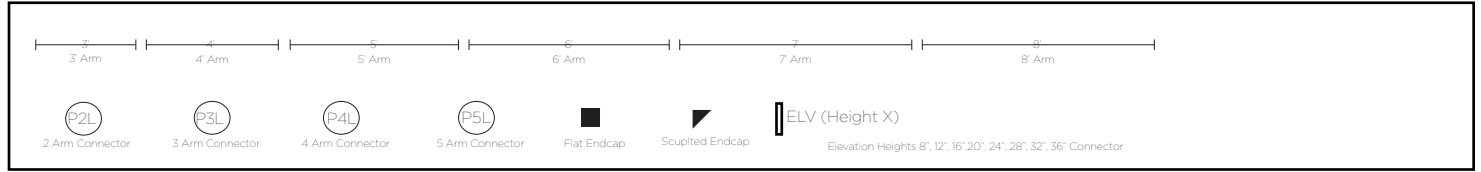
DESIGN RENDER



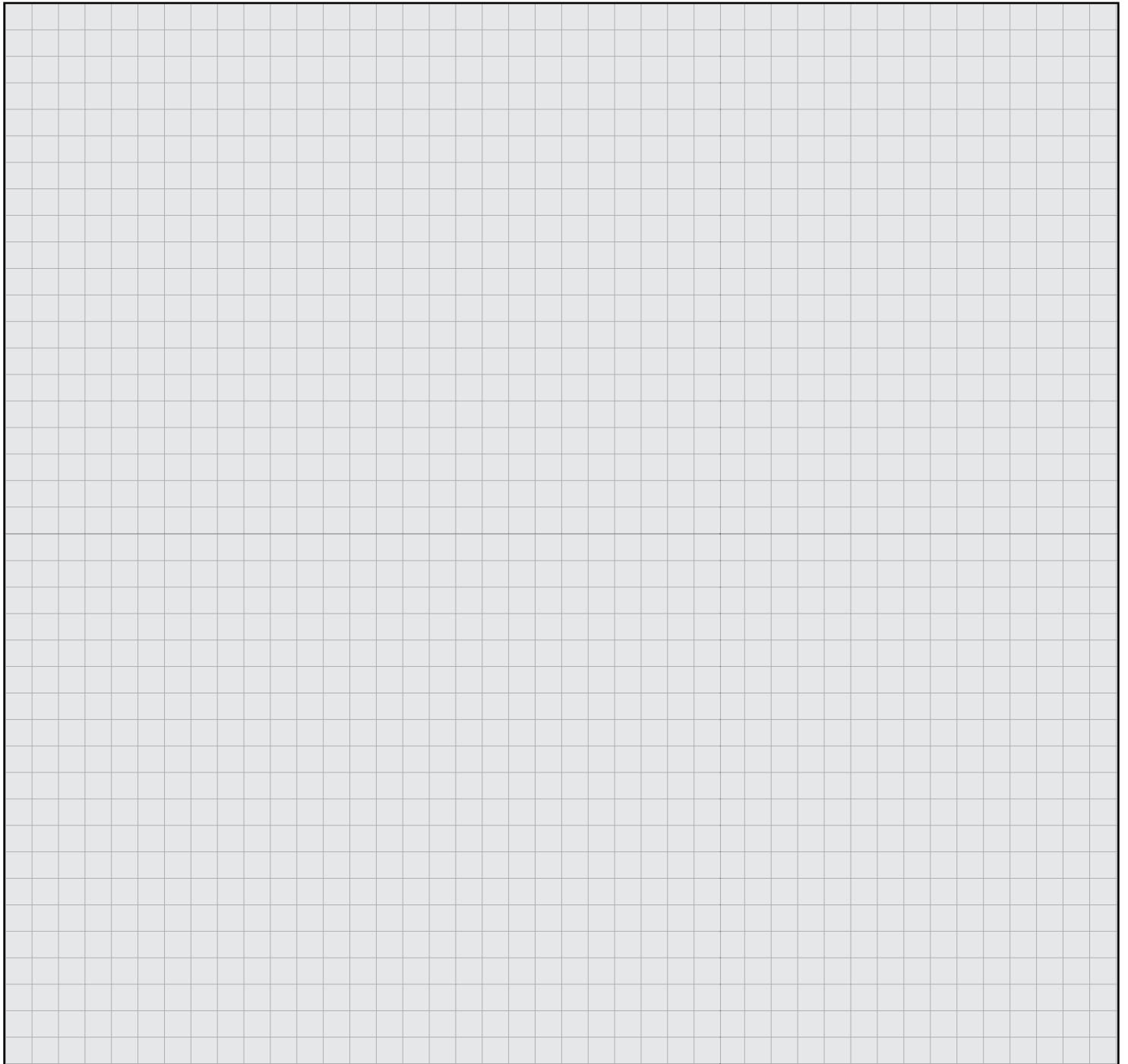
U.S. Patent No. US 11,112,101

SKETCH CUSTOM PATTERN & DIMENSIONS

Include a simple sketch to illustrate your projects scope.
Use the key provided to identify length of arms, runs and connectors.
(Does not need to be to same scale).



YOUR SKETCH



CONTINUOUS RUN ORDER GUIDES

Please use the following run guides for fixture ordering. If your product will require a submittal, our in-house Application Engineering Team will work closely with you on your project.

ALUMINUM PRODUCT ORDER GUIDE	
RUN LENGTH (ft)	RUN CONFIGURATION - SECTION LENGTHS
9	6' + 3'
10	6' + 4'
11	6' + 5'
12	6' + 6'
13	6' + 7'
14	8' + 6'
15	8' + 7'
16	8' + 8'
17	6' + 5' + 6'
18	6' + 6' + 6'
19	6' + 7' + 6'
20	8' + 4' + 8'
21	8' + 5' + 8'
22	8' + 6' + 8'
23	8' + 7' + 8'
24	8' + 8' + 8'
25	5' + 8' + 8' + 4'
26	4' + 6' + 6' + 6' + 4'
27	6' + 8' + 8' + 5'
28	6' + 8' + 8' + 6'
29	7' + 8' + 8' + 6'

*Standard Run Configurations Shown, Consult Factory for Custom Configurations.

ALUMINUM PRODUCT ORDER GUIDE	
RUN LENGTH (ft)	RUN CONFIGURATION - SECTION LENGTHS
30	6' + 6' + 6' + 6' + 6'
31	6' + 6' + 7' + 6' + 6'
32	8' + 8' + 8' + 8'
33	5' + 8' + 8' + 8' + 4'
34	6' + 8' + 8' + 8' + 4'
35	6' + 8' + 8' + 8' + 5'
36	6' + 8' + 8' + 8' + 6'
37	8' + 8' + 5' + 8' + 8'
38	8' + 8' + 6' + 8' + 8'
39	8' + 8' + 7' + 8' + 8'
40	8' + 8' + 8' + 8' + 8'
41	5' + 8' + 8' + 8' + 8' + 4'
42	6' + 8' + 8' + 8' + 8' + 4'
43	6' + 8' + 8' + 8' + 8' + 5'
44	6' + 8' + 8' + 8' + 8' + 6'
45	7' + 8' + 8' + 8' + 8' + 6'
46	3' + 8' + 8' + 8' + 8' + 8' + 3'
47	4' + 8' + 8' + 8' + 8' + 8' + 3'
48	8' + 8' + 8' + 8' + 8' + 8'
49	5' + 8' + 8' + 8' + 8' + 8' + 4'
50	6' + 8' + 8' + 8' + 8' + 8' + 4'

*Standard Run Configurations Shown, Consult Factory for Custom Configurations.

