

LaYR 2.0 SQUARE PENDANT

DESIGNER & PERFORMANCE Series



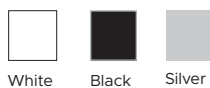
Image Above Shown With Designer Square Black Deep Smooth Baffle, Black Upper & Lower Housing Finish, and Black Accent Reveal

Image Above Shown With Designer Square Black Deep Smooth Baffle, Silver Upper & Lower Housing Finish, and Black Accent Reveal



Image Above Shown With Performance Series Round Black Deep Smooth Round Baffle, Black Upper & Lower Finish, and Black Accent Reveal

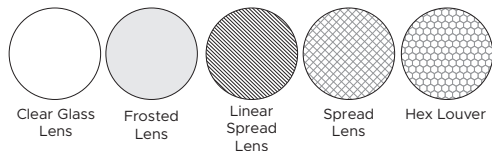
PENDANT UPPER HOUSING FINISH, LOWER HOUSING FINISH & ACCENT REVEAL



BAFFLE FINISHES



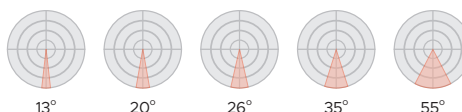
ACCESSORIES



Introducing the LaYR 2.0 Designer & Performance Square Pendant — a remarkably versatile lighting solution meticulously crafted to fulfill a wide range of needs and style preferences. With its ingenious design, this pendant offers unparalleled adaptability and customization options, including a variety of baffles and an architectural reveal, allowing you to create a truly unique lighting experience. With a sleek 2" aperture and adjustable beam spread, choose from five optic options to achieve the perfect lighting effect for any occasion. Delivering a lumen output range of 500 to 2000 lumens, this pendant ensures ample illumination for various purposes.

But that's not all—further tailor the LaYR 2.0 Square Pendant to your specific requirements and aesthetic sensibilities. Select from a range of baffles, drivers, housing lengths, and accessories to create a one-of-a-kind pendant that perfectly complements your style. Embodying versatility, adaptability, and customization, the LaYR 2.0 Square Pendant is the ultimate lighting solution for those seeking both functionality and personalization. Unleash the transformative power of tailored brilliance and elevate your space to new heights.

50mm Beam Optics:



SPECIFICATIONS

lm/W	Up To 127
Lumen Output	500 - 2000lm
Aperture @ Optic	Round
Beam Optics	13°, 20°, 26°, 35°, 55°
Baffle Type	Round or Square - Deep Smooth Finish (Depth 1")
Baffle & Trim Finishes	White, Black, Satin Silver & Champagne
CRI - 80 (2-Step)	35K & 40K
CRI - 90 (2-Step)	27K, 30K, 35K, 40K *90 CRI Option has an R9 Value Greater than 50
Accessories Options	Hex Louver, Frosted Lens, Linear Spread Lens, Spread Lens, Clear Lens
Accessories Qty	One
Drivers	0-10V, TRIAC, ELV, Lutron Ecosystem, DALI
Dimming	1%, 5%, 0.1%
Voltage	120-277 Volt
Lumen Maintenance	80,000
Power Factor	> .95
THD	< 20kHz
Approved Location	Dry/Damp
Certifications	UL 1598/UL 2108 Listed US and Canada



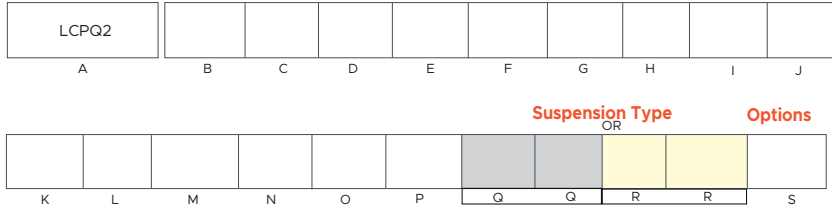
Suitable for Damp locations.



Specifications may change without notice.

Ordering Guide

Model Sequence



NOTES:



Suitable for Damp locations.



P E N D A N T

A. MODEL	B. DISTRIBUTION	C. LUMINAIRE HEIGHT	D. UPPER FINISH	E. ACCENT REVEAL FINISH	F. LOWER FINISH
LCPQ2	Square 2in D Direct	5 5 inch (driver is NOT integral) 9 9 inch (standard) 12 12 inch 18 18 inch xx Custom Height (96" Max see notes below)	WH White BK Black SV Silver CC Custom Color RAL # required	WH White BK Black SV Silver CC Custom Color RAL # required	WH White BK Black SV Silver CC Custom Color RAL # required

*See Page 3 for Associated Data

Shortest overall height is 5"

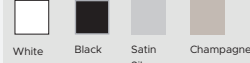
Heights less than 9" require either remote driver or power canopy.

Luminaire height greater than 50" requires STEM (R.) SUSPENSION TYPE



G. LUMEN OUTPUT	H. BAFFLE TYPE	I. BEAM OPTICS	J. BAFFLE FINISH	K. OPTIC ACCESSORIES
500 500 lm, 5W 750 750 lm, 8W 1000 1000 lm, 10W 1250 1250 lm, 12W 1500 1500 lm, 15W 1750 1750 lm, 18W 2000 2000 lm, 22W	QQF Designer Deep, Smooth Square/Square QRF Performance Deep, Smooth Square/Round	13 Narrow Spot 13° 20 Spot 20° 26 Narrow Flood 26° 35 Flood 35° 55 Wide Flood 55°	WH White BK Black SS Satin Silver CG Champagne CC Custom Color RAL # required	NN None HL Hex Louver CL Clear Glass FG Frosted Glass SG Striped Glass XG Check Glass

*See BELOW for SPECIAL color choices



One accessory only

- Narrow spot max is 1250 lm.
- 1750 lm max for dual dim.
- Lumen output is based on 3500K 80CRI refer to Light Loss Factor Table.

L. CRI & COLOR TEMP	M. VOLTAGE	N. DRIVER	O. CANOPY TYPE	P. CANOPY COLOR
835 80 CRI; 3500K 840 80 CRI; 4000K	UNV 120-277v	S1 1% Dimming (0 - 10v) DD Dual Dimming (2-wire dimming - Triac/ELV/Phase Cut - 5% Dimming) SAX 1% Dim with Aux PEQ Lutron, Hi-Lume Premier EcoSystem 0.1% Fade to Black ELO EldoLED 0.1% Dim to Dark driver DALI DALI 2.0 Compatible	FQC Flat Square Canopy PQC Power Square Canopy SQJ Surface Square J-Box Canopy PQS Power Square Surface J-Box Canopy	WH White BK Black SV Silver CC Custom Color RAL # required

*90 CRI Option has an R9 Value Greater than 50

All CCT are 2 Step MacAdam Ellipse

SAX Driver Code is required for the Athena Wireless Node

FQC required if Remote Driver Selected.

Remote driver or power canopy required if Pendant Height less than 9".

SUSPENSION TYPE				OPTIONS	
Q. POWER CORD	Q. CORD LENGTH	R. STEM	R. STEM LENGTH	S. OPTIONS	
WF White Feed BF Black Feed SF Silver Feed	24 24 in 42 42 in 102 102 in 150 150 in	WST White Stem BST Black Stem SST Silver Stem CST Custom Color RAL # required	12 12 in 18 18 in 24 24 in 48 48 in xx Custom length Specified in inches	NN NONE EB Emergency Battery (6-Watt Remote Driver Required) RD Remote Driver (Required for EB) SLP Slope Ceiling AWN-R-W Lutron Athena Wireless Node (RF-only) in White AWN-R-B Lutron Athena Wireless Node (RF-only) in Black	

*See BELOW for SPECIAL Finishes

Remote driver or power canopy required if Pendant Height less than 9".

Luminaire height greater than 50" requires STEM (R.) SUSPENSION TYPE

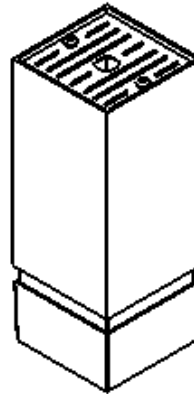
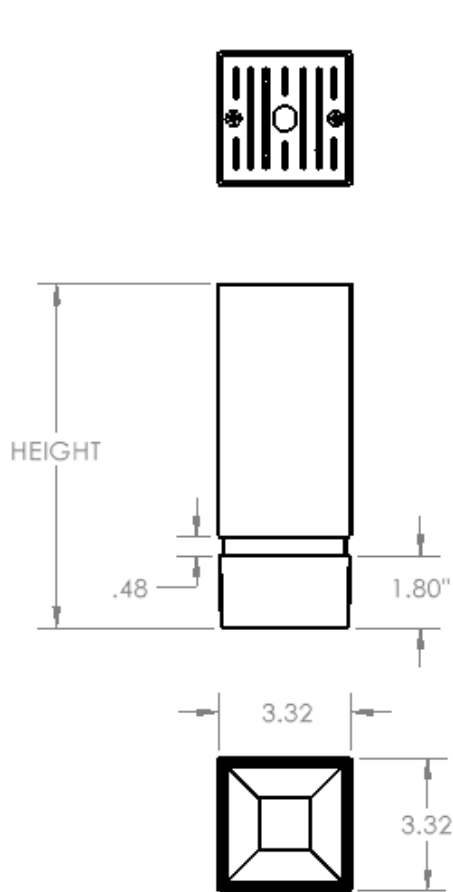
BAFFLE TYPE	BAFFLE/BEAM ANGLE/ MAX LUMENS CROSS REFERENCE				
	13°	20°	26°	35°	55°
QQF	1250	2000	2000	2000	2000
QRF	1250	2000	2000	2000	2000

SPECIAL FINISH COLORS Longer Lead Time Required



Special (Longer Lead Time)	
LC LUX Orange	MG Moss Green
BZ Bronze	BL Blue
SG Slate Gray	RD Red
YW Yellow	CC Custom Color
FG Forest Green	

LUMINAIRE HEIGHT DIAGRAMS

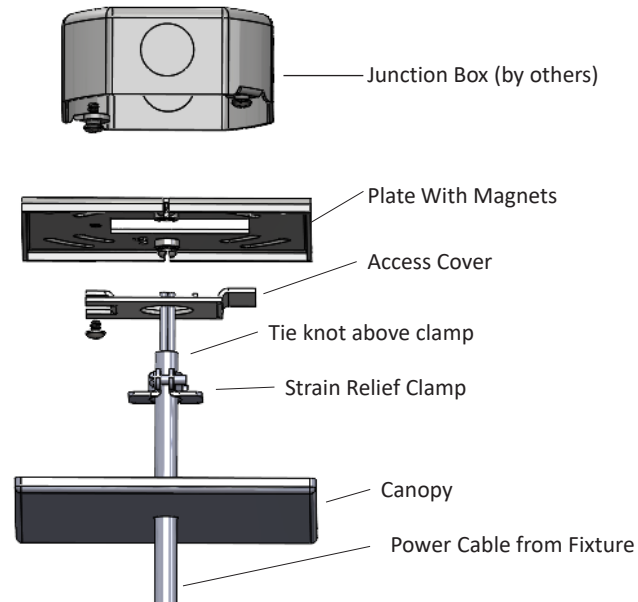


Pendant Height	Ordering Code	Driver Mounting
4.6"	5	Remote or Power Canopy
8.6"	9	Integral, Power Canopy, or Remote
11.6"	12	Integral, Power Canopy, or Remote
17.6"	18	Integral, Power Canopy, or Remote

MOUNTING DIAGRAM DETAILS

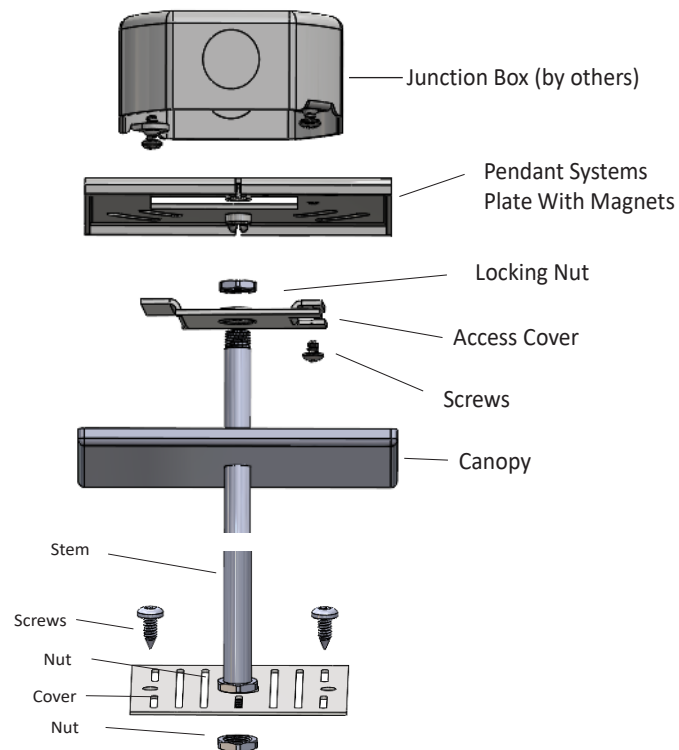
Corded Power Drop Mount Detail

Ordering Code: FQC - Flat Square Canopy



Stem Mount Detail

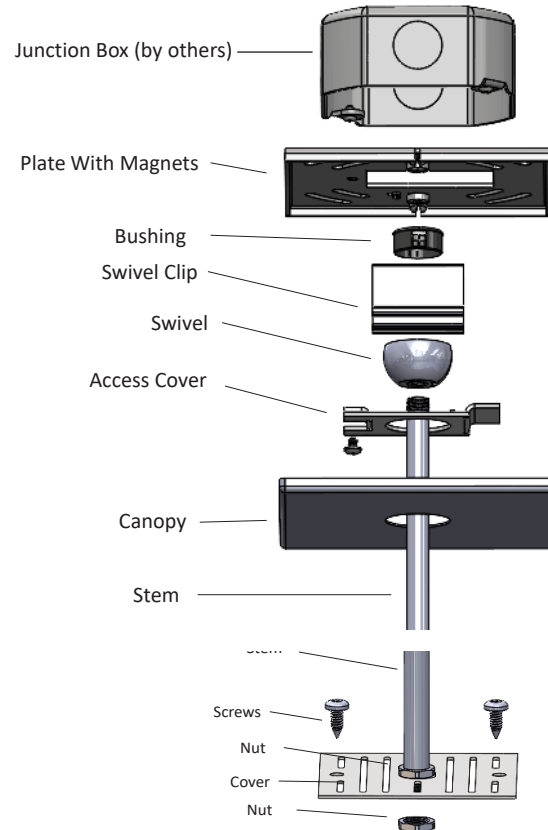
Ordering Code: FQC - Flat Square Canopy



MOUNTING DIAGRAM DETAILS

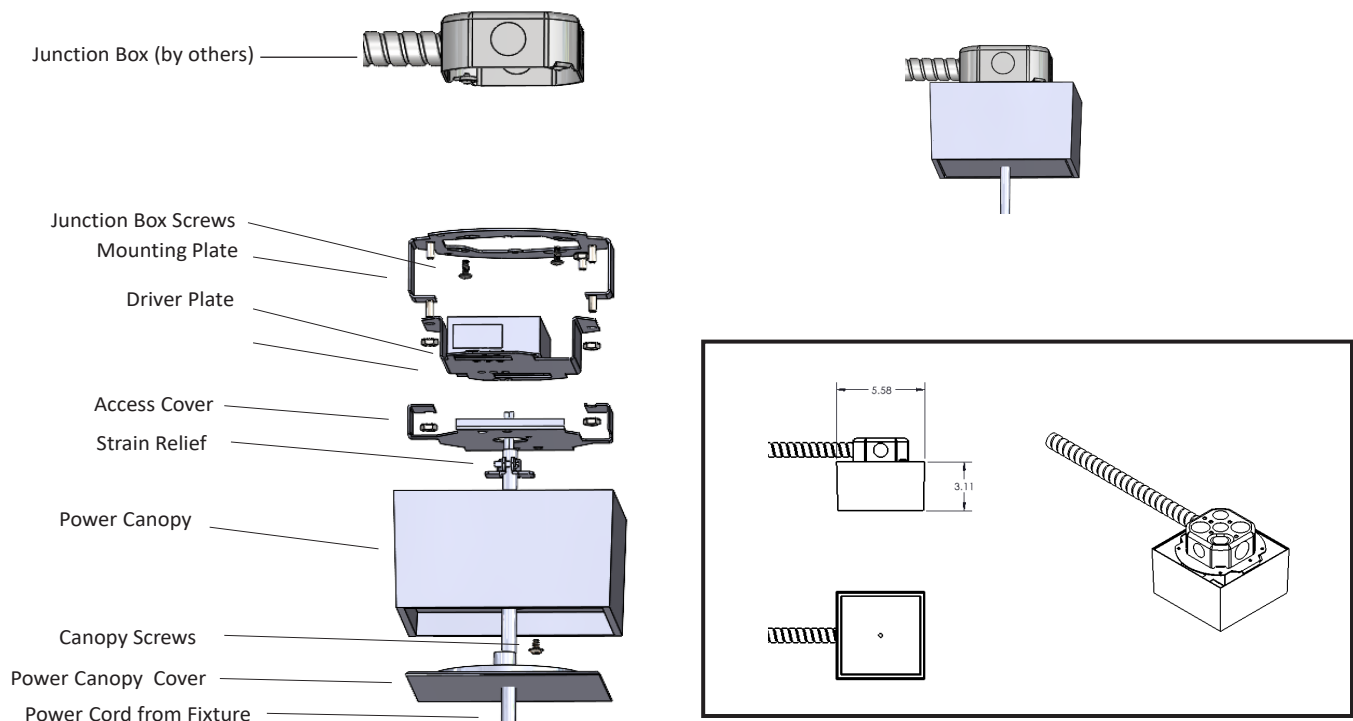
Slope Ceiling Stem Mount Detail

Ordering Code: FQC - Flat Square Canopy



Powered Canopy Detail with Power Cord Mount

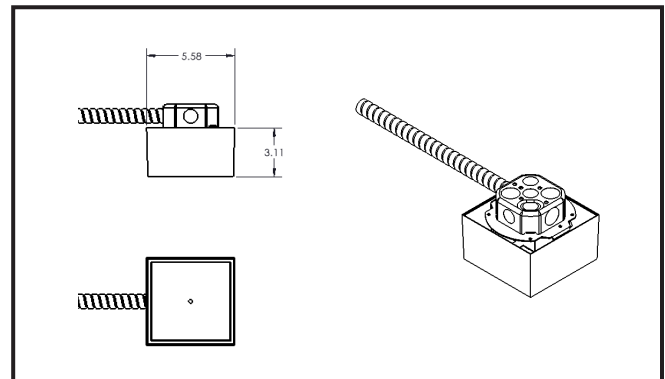
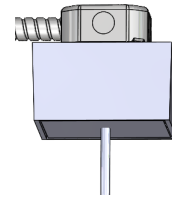
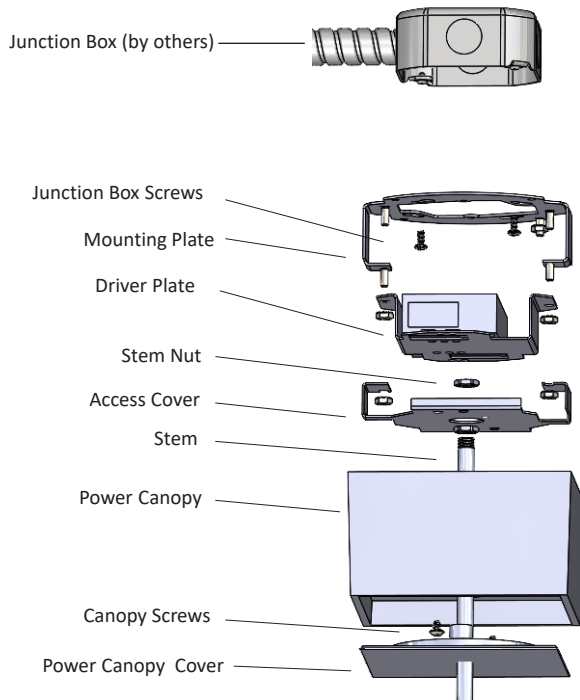
Ordering Code: PQC - Powered Square Canopy



MOUNTING DIAGRAM DETAILS

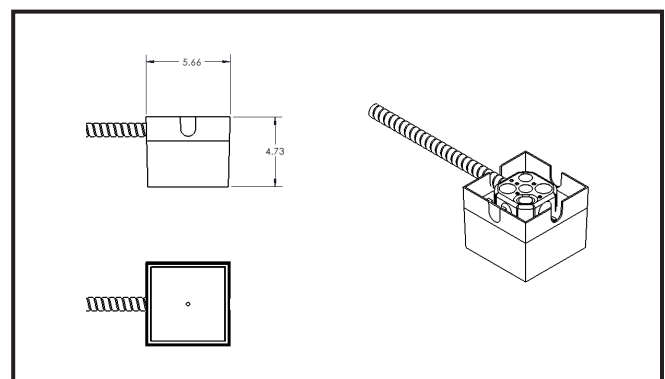
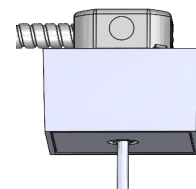
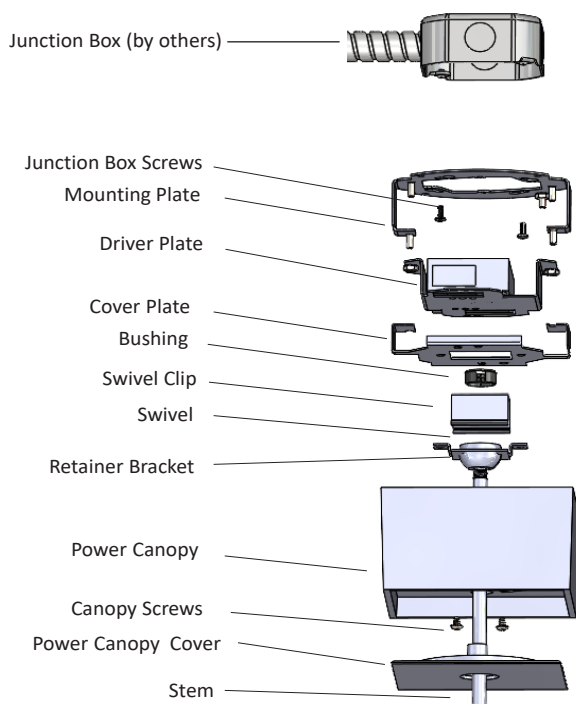
Powered Canopy Detail with Stem Mount

Ordering Code: PQC - Powered Square Canopy



Powered Canopy Detail with Slope Ceiling Stem Mount

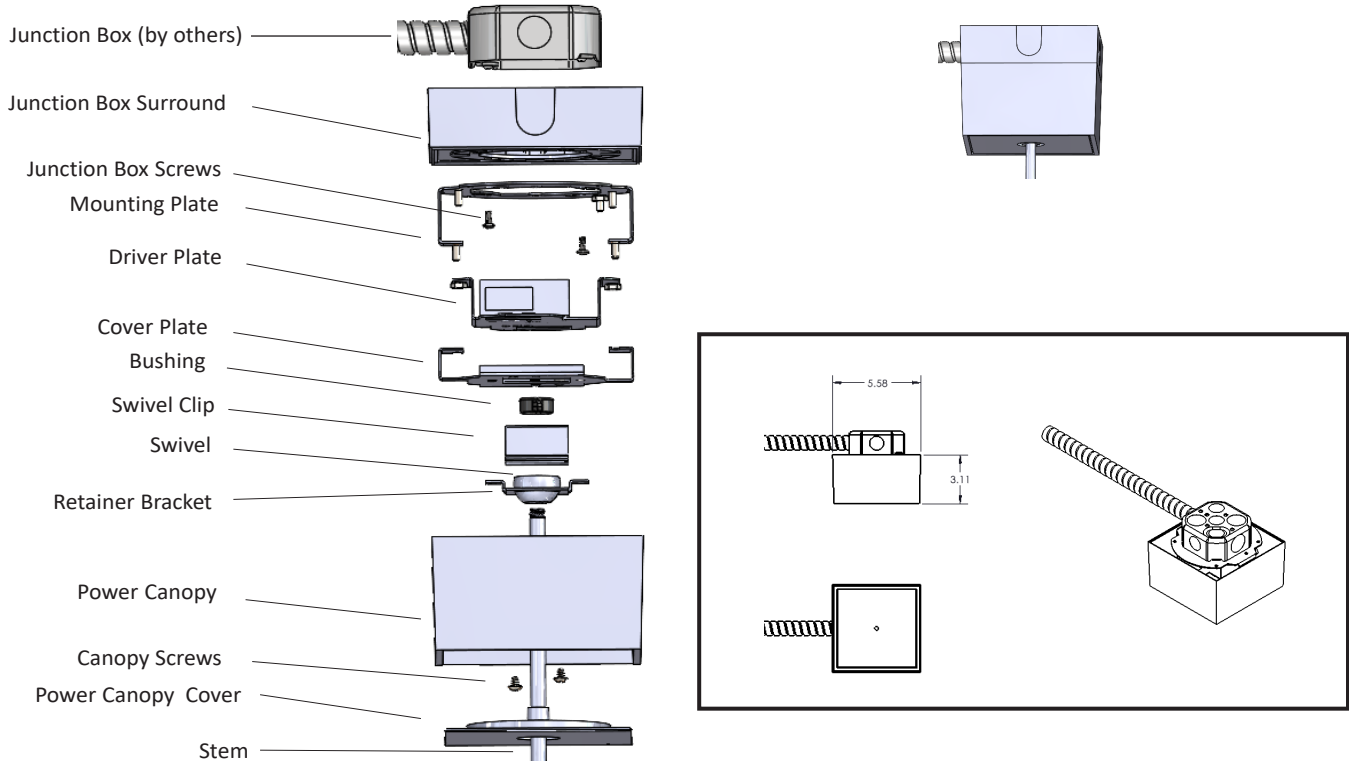
Ordering Code: PQS-SLP - Powered Square Surface J-Box Canopy, Slope Ceiling



MOUNTING DIAGRAM DETAILS

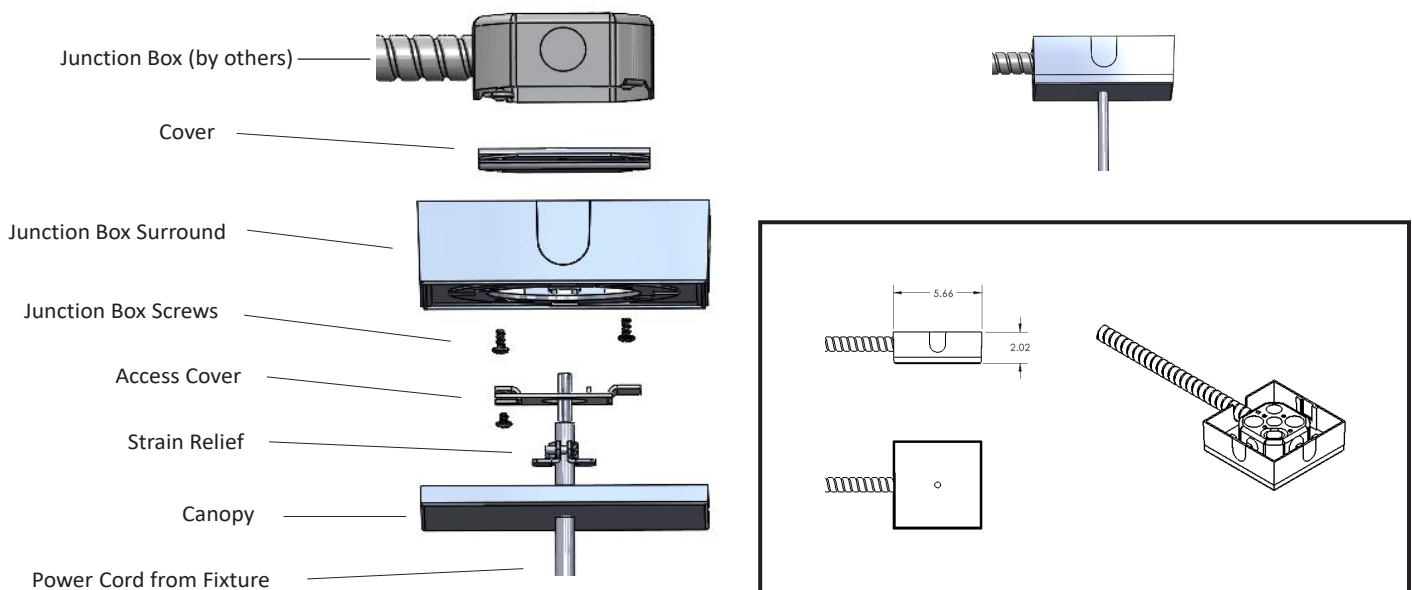
Powered Canopy Detail with Surface Mount Slope Ceiling

Ordering Code: PQS-SLP - Powered Square Surface J-Box Canopy, Slope Ceiling



Surface Mounting Detail with Cord Mount

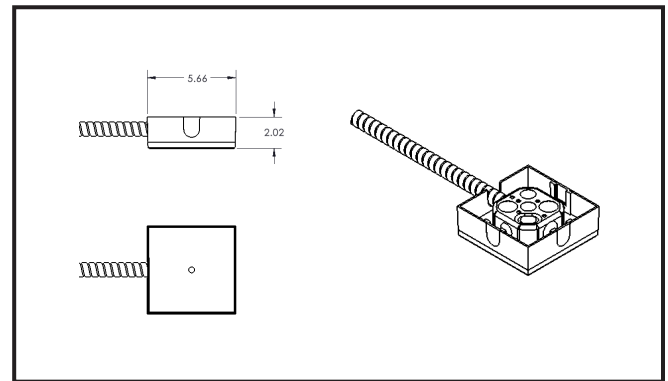
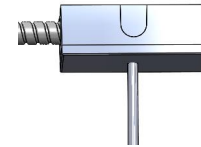
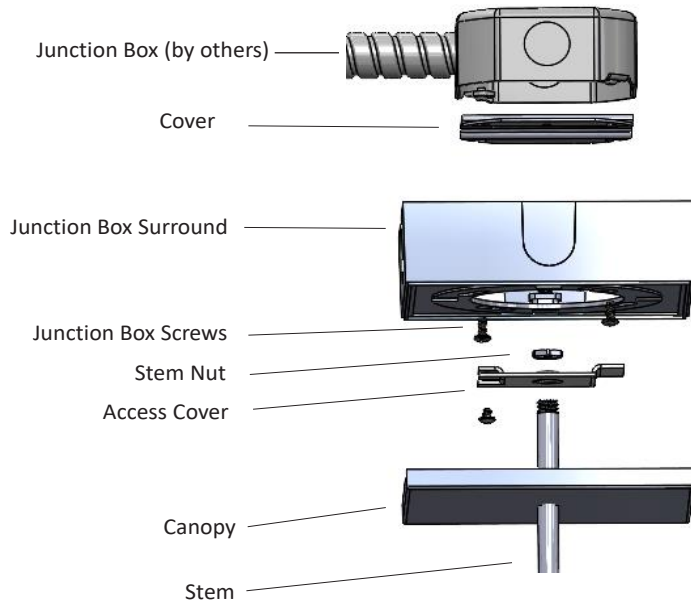
Ordering Code: SQJ - Surface Square J-Box Canopy



MOUNTING DIAGRAM DETAILS

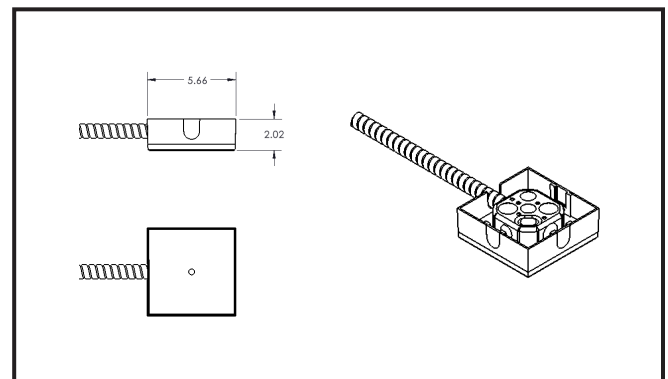
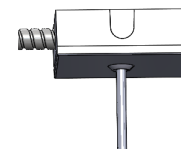
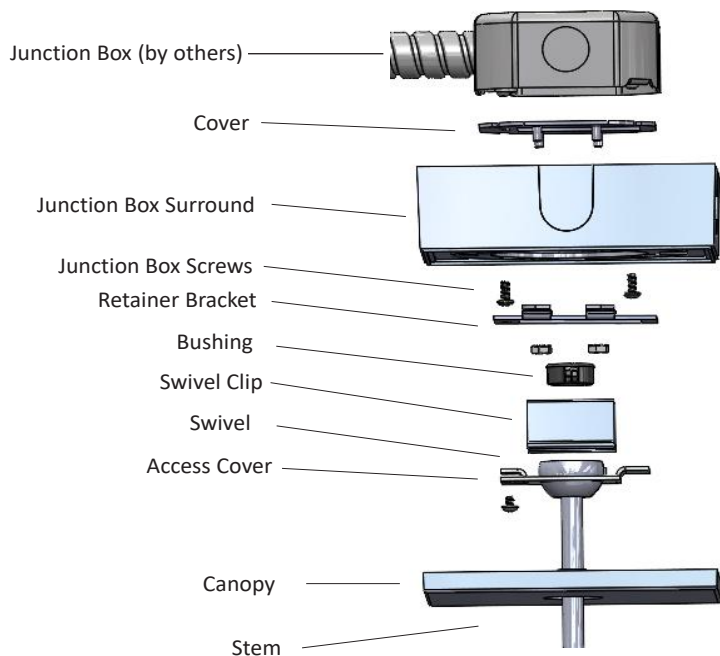
Surface Mounting Detail with Stem Mount

Ordering Code: SQJ - Surface Square J-Box Canopy



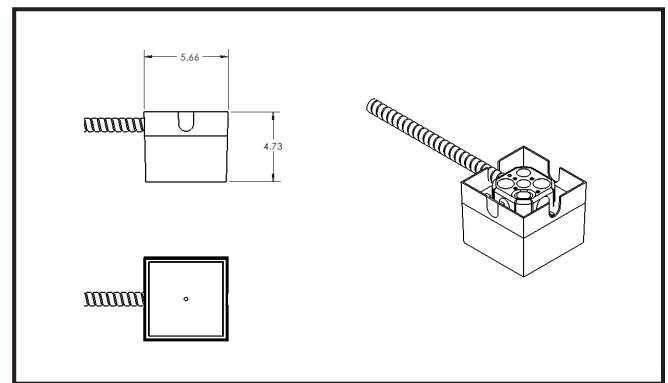
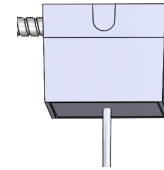
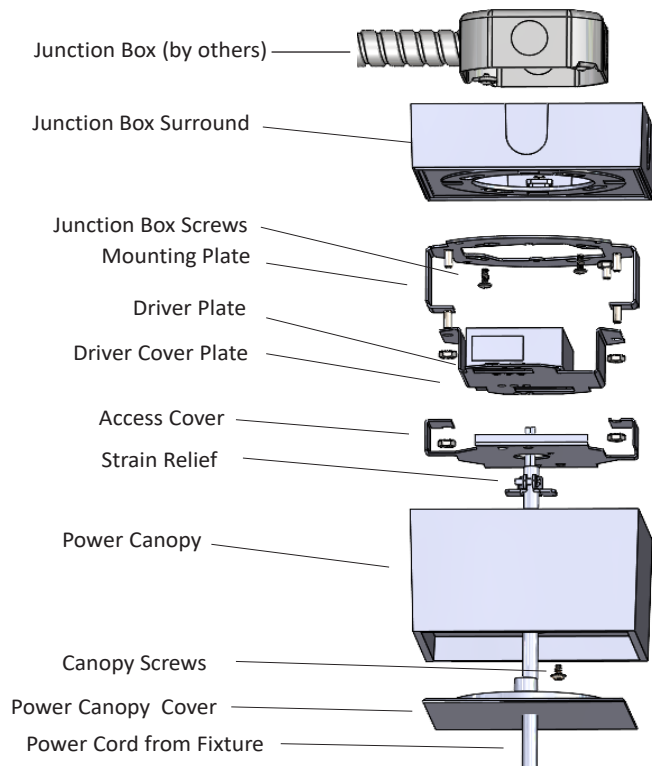
Surface Mounting Detail with Slope Stem Mount

Ordering Code: SQJ-SLP Surface Square J-Box, Slope Ceiling

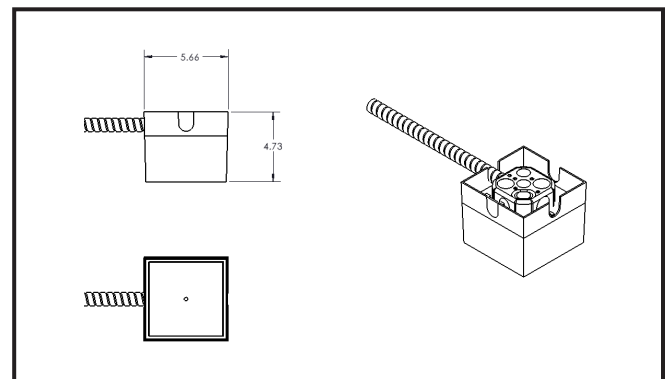
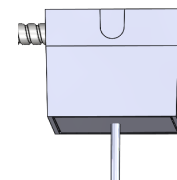
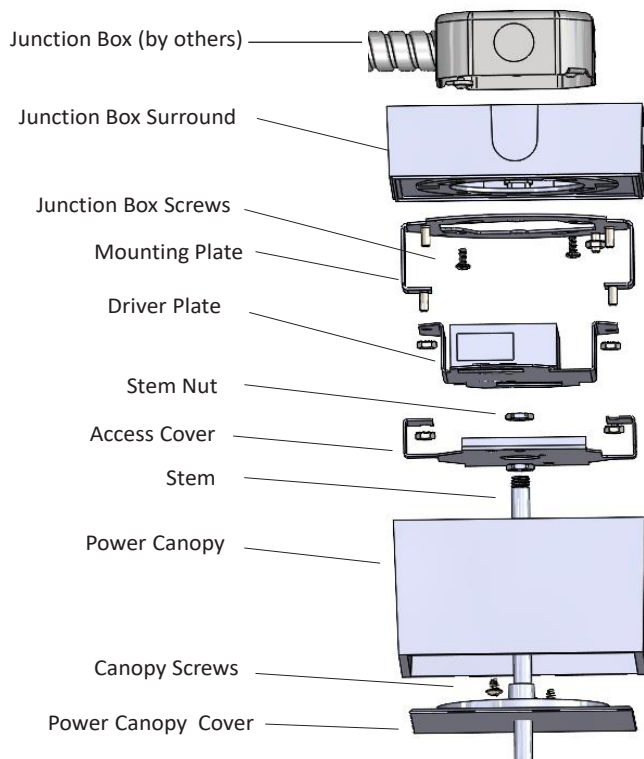


MOUNTING DIAGRAM DETAILS

Surface Mount Ceiling Detail with Power Canopy and Power Cord Ordering Code: PQS - Power Square Surface



Surface Mount Ceiling Detail with Power Canopy and Stem Ordering Code: PQS - Power Square Canopy



DRIVER HOUSING MOUNTING OPTIONS

REMOTE HOUSING

