



Image Above Shown With Smooth Black Baffle and Black Trim Ring

TRIM & BAFFLE FINISHES



White
WH



Black
BK



Satin
Silver
SS



Champagne
CG



CERTIFIED
SAFETY US-CA
Suitable for Damp
locations.



Assembled
U. S. A.



WET LISTED
Covered Ceiling
Mount Only



The LaYR recessed wall wash downlights are designed to offer high performance and enhance interior environments with exceptional optical performance, comfort, and industry-leading wall wash capability. They are carefully engineered to ensure effective and uniform illumination across vertical surfaces like walls, resulting in a visually pleasing atmosphere. This makes them a great choice for applications where highlighting vertical elements or creating a specific ambiance is important. Whether it's in retail spaces, museums, galleries, hospitality venues, residential settings, or commercial buildings, these downlights are designed to deliver reliable and visually impressive lighting solutions.

FLANGED TRIM



TRIMLESS



SPECIFICATIONS

lm/W	110
Lumen Output	500 - 2000lm
Luminaire Height	4 15/16"
Optic Size	50mm
Beam Optics	35°
Baffle Type	Smooth Finish
Trim Type	Flange Trim, Trimless
Baffle & Trim Finishes	White, Black, Satin Silver & Champagne
CRI -80 (2-Step)	35K & 40K
CRI - 90 (2-Step)	27K, 30K, 35K, 40K *90 CRI Option has an R9 Value Greater than 50
Ceiling Thickness Range	(min) 3/8" - (max) 1 1/2"
Hole Cut Size	3 3/8" (REM) - 3 1/2" (OF/IC)
Drivers	0-10V, TRIAC, ELV, Lutron Ecosystem, DALI
Dimming	1%, 5%, 0.1%
Voltage	120-277 Volt
Housing	Non-IC, IC Rated, Remodel
Lumen Maintenance	80,000
Power Factor	> .95
THD	< 20kHz
Approved Location	Dry/Damp/Wet
Certifications	UL Listed, CCEA

Specifications may change without notice.



Ordering Guide

HOUSING

LFXQ2								
A	B	C	D	E	F	G	H	

LIGHT ENGINE & BAFFLE

WWQ2						
I	J	K	L	M	N	O

OPTIONS

NOTES:



SAFETY US-CA
Suitable for Damp locations.



WET LISTED
Covered Ceiling Mount Only



HOUSING & DRIVER

A. MODEL	B. TRIM	C. HOUSING STYLE	D. MOUNTING	E. LUMEN OUTPUT
LFXQ2 Square Fixed 2in	FT Flange Trim SF Spackle Flange Trimless MW Millwork	OF Open Frame (Non-IC) (Rough-In Mounting Plate) w/ 5/8" Collar IC IC Rated Housing w/ 5/8" Collar RM Remodel (Non-IC) CP Chicago Plenum	SMB Standard Mounting Bars Min: 14.25" / Max: 26" ACB Adjustable Commercial Bar Hanger (Includes C-Channel Bracket and Heavy Duty Bar Hangers) Min: 11" / Max: 26.75" REM Remodel	500 500 lm, 5W 750 750 lm, 8W 1000 1000 lm, 10W 1250 1250 lm, 12W 1500 1500 lm, 15W 1750 1750 lm, 18W 2000 2000 lm, 22W
	RM housing Style and REM mounting required for Millwork Millwork installation template kit available (order separately)	Additional ceiling collar depths available in (H) Options below OF and RM Non-IC rated cannot come in contact with insulation.	ACB must be selected at initial order	Please see driver matrix for additional details
F. VOLTAGE	G. DRIVER	H. HOUSING OPTIONS (May choose multiple options below)		
UNV 120-277v	S1 1% Dimming (0 - 10v) DD Dual Dimming (2-wire dimming - Triac/ELV/Phase Cut - 5% Dimming) SAX 1% Dim with Aux PEQ Lutron, Hi-Lume Premier EcoSystem 0.1% Fade to Black ELO EldoLED 0.1% Dim to Dark driver DALI DALI 2.0 Compatible	NN NONE RD Remote Driver (Consult Factory) C1 1" Ceiling Depth Collar C5 1.5" Ceiling Depth Collar AWNRR Lutron Athena Wireless Node (RF- only)		
	SAX Driver Code is required for the Athena Wireless Node 1750 lm max for dual dim.	Requires SAX Driver Code		

LIGHT ENGINE & BAFFLE

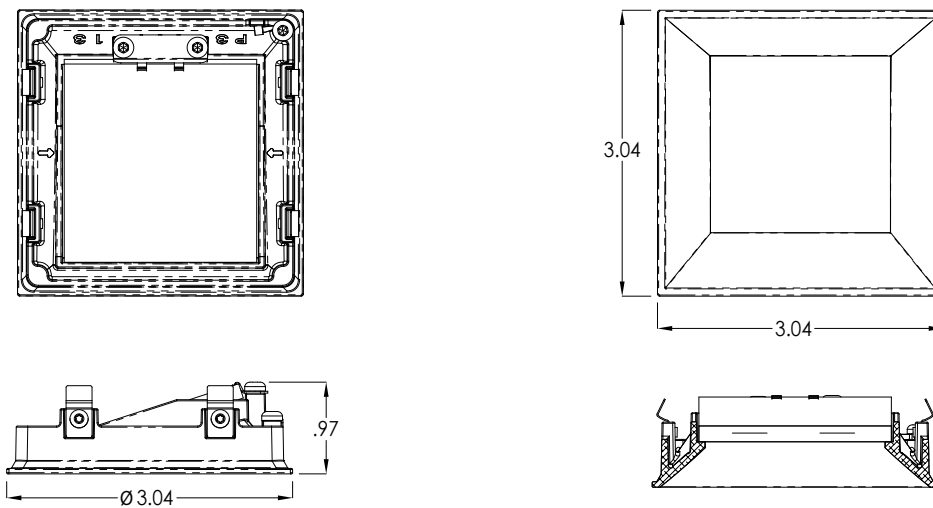
I. LIGHT ENGINE	J. BAFFLE TYPE	K. BEAM OPTICS	L. BAFFLE FINISH	M. TRIM FINISH
WWQ2 Wall Wash Square 2in Square/Square	Flange Trim WWQF Wall Wash Square Smooth Flanged Spackle Flange Trimless WWQS Wall Wash Square Smooth Spackle	50mm Optic 35 Flood 35°	WH White BK Black SS Satin Silver CG Champagne CC Custom Color	WH White BK Black SS Satin Silver CG Champagne CC Custom Color NN None (Required with spackle flange Only)
			White Black Satin Silver Champagne	NN: Spackle Flange Trimless

N. CRI	COLOR TEMP.	OPTIONS
835	80 CRI; 3500K	O. FACTORY OPTIONS
840	80 CRI; 4000K	
927	90 CRI; 2700K	SSC Seismic Safety Cable
930	90 CRI; 3000K	WET Wet Location
935	90 CRI; 3500K	
940	90 CRI; 4000K	
*90 CRI Option has an R9 Value Greater than 50		
All CCT are 2 Step MacAdam Ellipse		Other accessories may be available, consult factory.

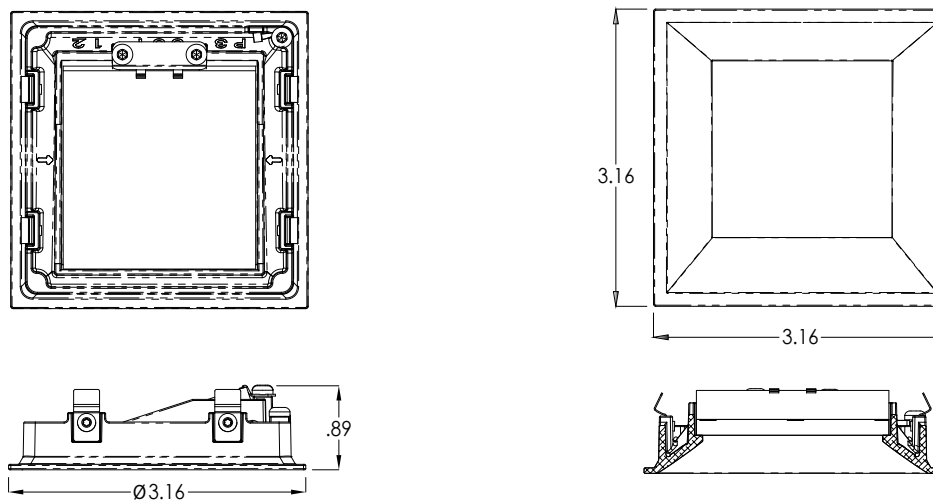
Specifications may change without notice.

FIXTURE DIMENSIONS

Trim - Smooth

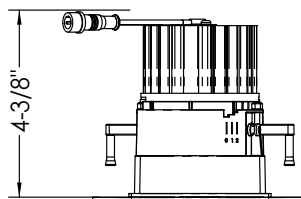


Trimless - Smooth



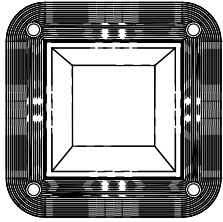
HEAT SINK DIMENSIONS

TRIM AND TRIMLESS



LFXQ2
Up to 2000 Lumens

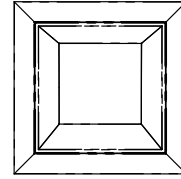
TRIM DIMENSIONS



TRIM

CEILING CUTOUT
3-3/8" (REM) : 3-1/2" OF/IC

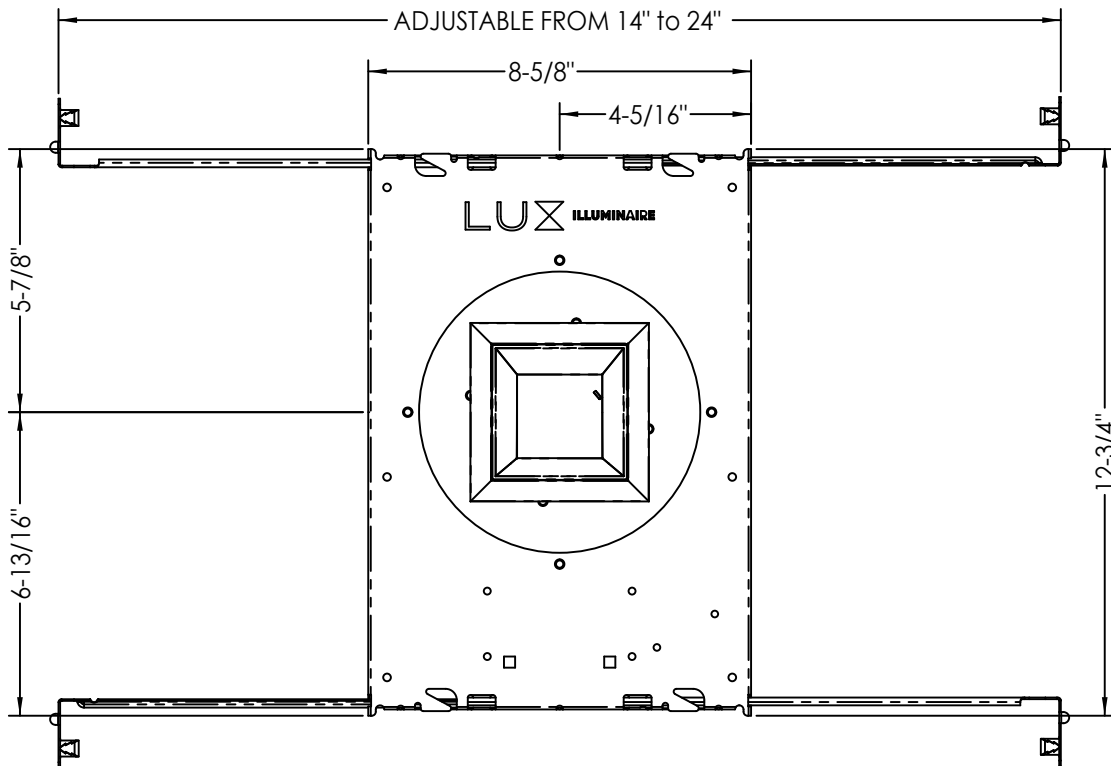
CEILING THICKNESS
(min) 3/8" - (max) 1-1/2"



TRIMLESS

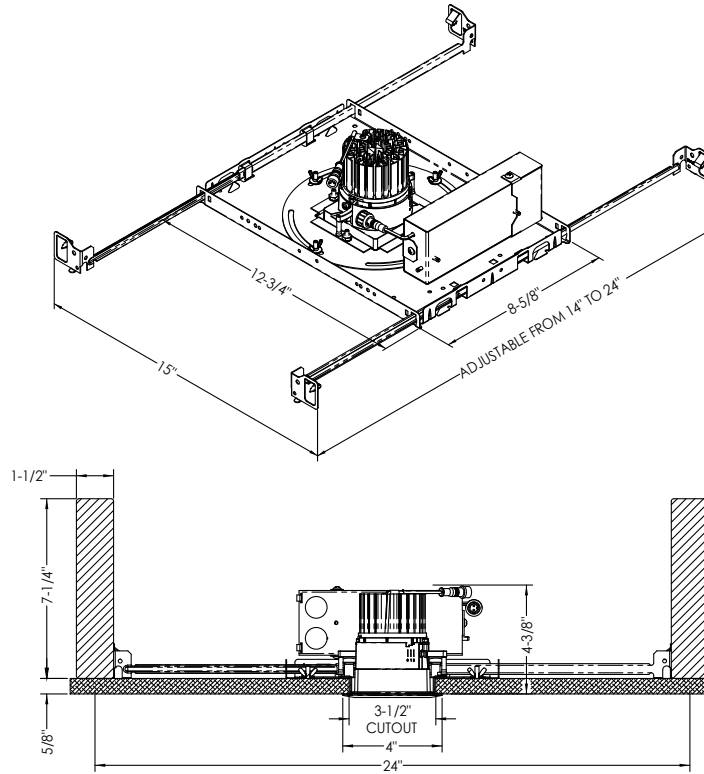
CEILING CUTOUT
3-3/8" (REM) : 3-1/2" OF/IC

CEILING THICKNESS
(min) 3/8" - (max) 1-1/2"

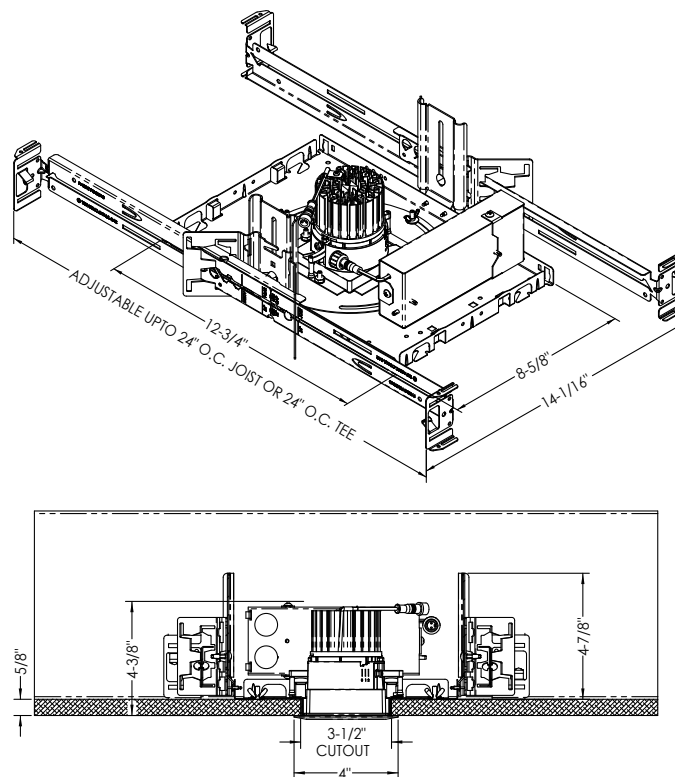


Open Frame

Standard Heat Sink with Standard Mounting Bars (SMB)

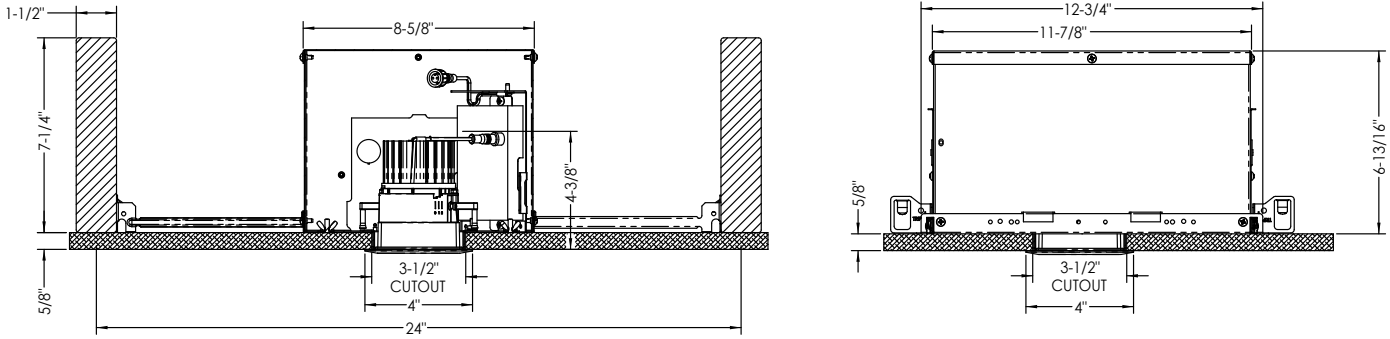


Standard Heat Sink with Adjustable Commercial Bar Hanger (ACB)

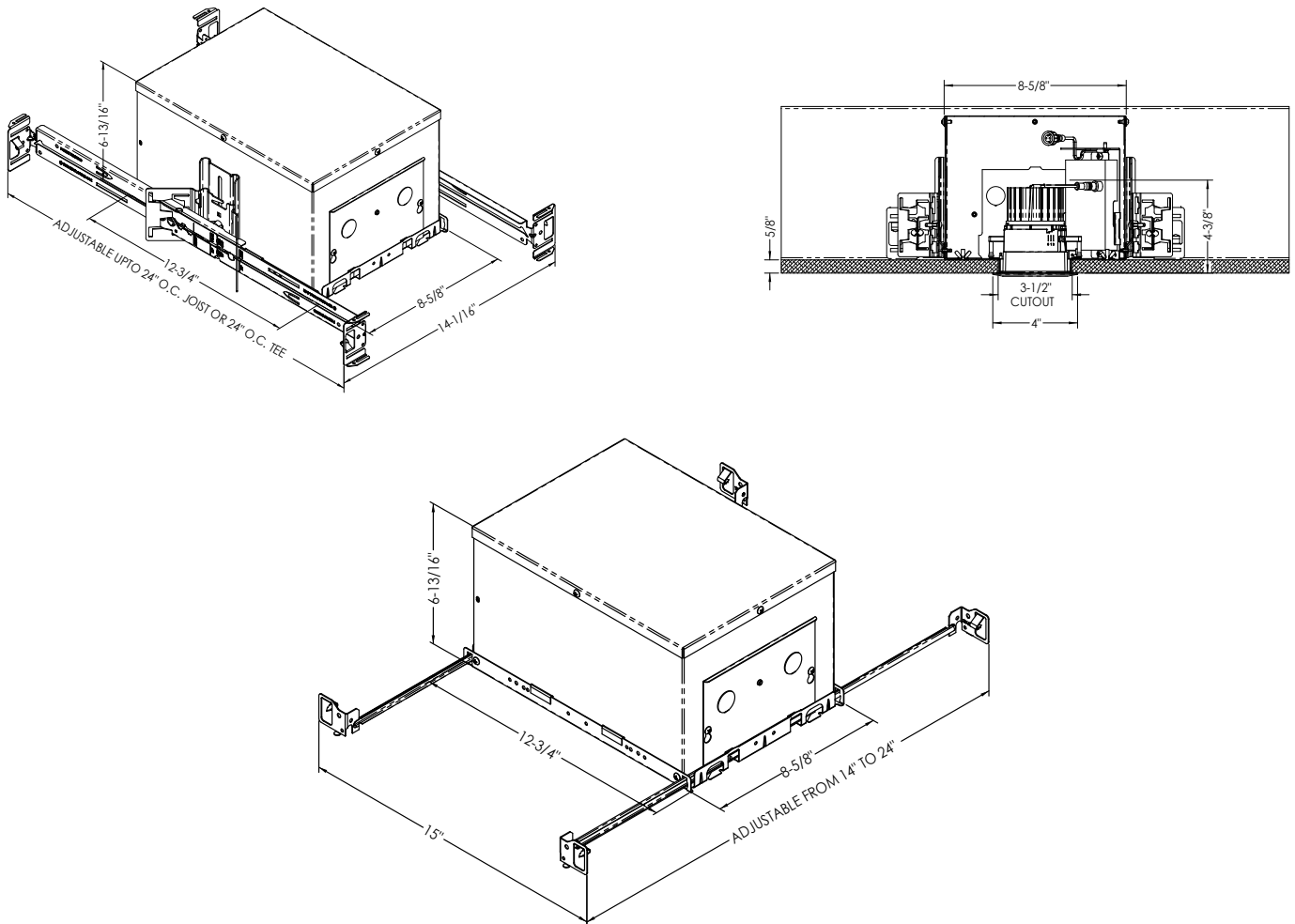


IC Frame

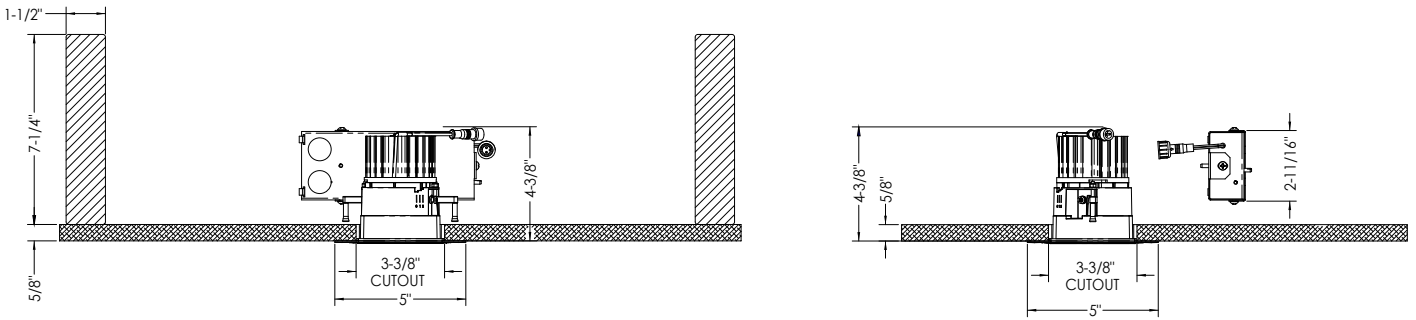
Standard Heat Sink with Standard Mounting Bars (SMB)



Standard Heat Sink with Adjustable Commercial Bar Hanger (ACB)



Remodel



DRIVER HOUSING MOUNTING OPTIONS

REMOTE HOUSING

