

# LaYR 4.0 ROUND PENDANT PERFORMANCE Series



Introducing the LaYR 4.0 Performance Round Pendant — a remarkably versatile lighting solution meticulously crafted to fulfill a wide range of needs and style preferences. With its ingenious design, this pendant offers unparalleled adaptability and customization options, including a variety of baffles and an architectural reveal, allowing you to create a truly unique lighting experience. With a sleek 2” aperture and adjustable beam spread, choose from five optic options to achieve the perfect lighting effect for any occasion. Delivering a lumen output range of 500 to 4000 lumens, this pendant ensures ample illumination for various purposes.

But that’s not all—further tailor the LaYR 4.0 Round Pendant to your specific requirements and aesthetic sensibilities. Select from a range of baffles, drivers, housing lengths, and accessories to create a one-of-a-kind pendant that perfectly complements your style. Embodying versatility, adaptability, and customization, the LaYR 4.0 Round Pendant is the ultimate lighting solution for those seeking both functionality and personalization. Unleash the transformative power of tailored brilliance and elevate your space to new heights.

Image Above Shown With Performance Round Black Deep Milli-Groove Baffle, Black Upper & Lower Finish, and Black Accent Reveal

Image Above Shown With Performance Round Black Deep Milli-Groove Baffle, Silver Upper & Lower Finish, and Black Accent Reveal



- Upper Housing Finish
- Accent Reveal
- Lower Housing Finish

Image Above Shown With Performance Black Deep Smooth Baffle, Black Upper & Lower Finish, and Black Accent Reveal

## PENDANT UPPER HOUSING FINISH, LOWER HOUSING FINISH & ACCENT REVEAL



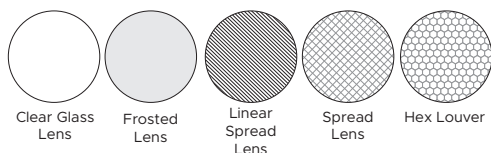
White Black Silver

## BAFFLE FINISHES



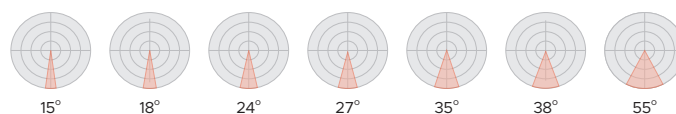
White Black Satin Silver Champagne

## ACCESSORIES



Clear Glass Lens Frosted Lens Linear Spread Lens Spread Lens Hex Louver

## 70mm Beam Optics:



SPECIFICATIONS	
lm/W	Up To 127
Lumen Output	500 - 4000lm
Beam Optics	15°, 18°, 24°, 27°, 35°, 38°, 55°
Baffle Type	Deep Smooth Finish (Depth 1 3/8") Deep Milli-Groove (Depth 1 3/8")
Baffle & Trim Finishes	White, Black, Satin Silver & Champagne
CRI -80 (2-Step)	35K & 40K
CRI - 90 (2-Step)	27K, 30K, 35K, 40K *90 CRI Option has an R9 Value Greater than 50
Accessories Options	Hex Louver, Frosted Lens, Linear Spread Lens, Spread Lens, Clear Lens
Accessories Qty	One
Drivers	0-10V, TRIAC, ELV, Lutron Ecosystem, DALI, (Optional Emergency Battery)
Dimming	1%, 5%, 0.1%
Voltage	120-277 Volt
Lumen Maintenance	80,000
Power Factor	> .95
THD	< 20kHz
Approved Location	Dry/Damp
Certifications	UL Listed



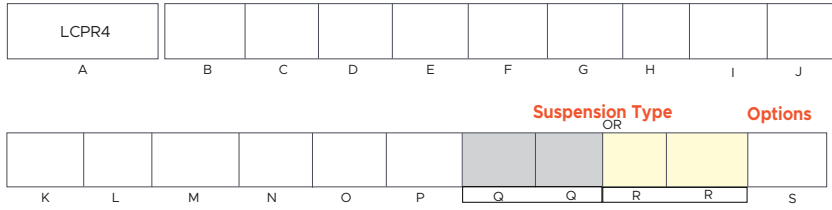
Suitable for Damp locations.



Specifications may change without notice.

### ORDERING GUIDE

#### Model Sequence



NOTES:



Suitable for Damp locations.

### PENDANT

A. MODEL	B. DISTRIBUTION	C. LUMINAIRE HEIGHT	D. UPPER FINISH	E. ACCENT REVEAL FINISH	F. LOWER FINISH
LCPR4 Round 4in Performance	D Direct	6 6 inch 11 11 inch 14 14 inch 20 20 inch xx Custom Height (96" Max see notes below)	WH White BK Black SV Silver CC Custom Color RAL # required	WH White BK Black SV Silver CC Custom Color RAL # required	WH White BK Black SV Silver CC Custom Color RAL # required
*See Page 3 for Associated Data			*See BELOW for SPECIAL Finishes	*See BELOW for SPECIAL Finishes	*See BELOW for SPECIAL Finishes

Shortest overall height is 6"	
Heights less than 9" require either remote driver or power canopy.	
Luminaire height greater than 50" requires STEM (R.) SUSPENSION TYPE	

G. LUMEN OUTPUT	H. BAFFLE TYPE	I. BEAM OPTICS	J. BAFFLE FINISH	K. OPTIC ACCESSORIES
500 500 lm, 5W 750 750 lm, 8W 1000 1000 lm, 10W 1250 1250 lm, 12W 1500 1500 lm, 15W 1750 1750 lm, 18W 2000 2000 lm, 22W 2500 2500 lm, 26W 3000 3000 lm, 28W 3500 3500 lm, 34W 4000 4000 lm, 42W	DSF Deep, Smooth DMF Deep, Milli-Groove	15 Narrow Spot 15° 18 Spot 18° 24 Narrow Flood 24° 27 Narrow Flood 27° 35 Flood 35° 38 Flood 38° 55 Wide Flood 55°	WH White BK Black SS Satin Silver CG Champagne CC Custom Color RAL # required	NN None HL Hex Louver CL Clear Glass FG Frosted Glass SG Striped Glass XG Check Glass
- Narrow spot max is 1250 lm. - 1750 lm max for dual dim. - Lumen output is based on 3500K 80CRI refer to Light Loss Factor Table.				One accessory only
			*See BELOW for SPECIAL color choices	

L. CRI & COLOR TEMP	M. VOLTAGE	N. DRIVER	O. CANOPY TYPE	P. CANOPY COLOR
835 80 CRI; 3500K 840 80 CRI; 4000K	UNV 120-277v	S1 1% Dimming (0 - 10v) DD Dual Dimming (2-wire dimming - Triac/ELV/Phase Cut - 5% Dimming)	FRC Flat Round Canopy PRC Power Round Canopy SRJ Surface Round J-Box Canopy PRS Power Round Surface J-Box Canopy	WH White BK Black SV Silver CC Custom Color RAL # required
927 90 CRI; 2700K 930 90 CRI; 3000K 935 90 CRI; 3500K 940 90 CRI; 4000K		SAX 1% Dim with Aux PEQ Lutron, Hi-Lume Premier EcoSystem 0.1% Fade to Black ELO EldoLED 0.1% Dim to Dark driver DALI DALI 2.0 Compatible		*See BELOW for SPECIAL Finishes
*90 CRI Option has an R9 Value Greater than 50		SAX Driver Code is required for the Athena Wireless Node	FRC required if Remote Driver Selected. Remote driver or power canopy required if Pendant Height less than 9".	

SUSPENSION TYPE				OPTIONS	
Q. POWER CORD	Q. CORD LENGTH	R. STEM	R. STEM LENGTH	S. OPTIONS	
WF White Feed BF Black Feed SF Silver Feed	24 24 in 42 42 in 102 102 in 150 150 in	WST White Stem BST Black Stem SST Silver Stem CST Custom Color RAL # required	12 12 in 18 18 in 24 24 in 48 48 in xx Custom length Specified in inches	NN NONE EB Emergency Battery (6-Watt Remote Driver Required) RD Remote Driver (Required for EB) SLP Slope Ceiling AWNR-W Lutron Athena Wireless Node (RF-only) in White AWNR-B Lutron Athena Wireless Node (RF-only) in Black	
Luminaire height greater than 50" requires STEM (R.) SUSPENSION TYPE			Remote driver or power canopy required if Pendant Height less than 9".		

BAFFLE/BEAM ANGLE/ MAX LUMENS CROSS REFERENCE	BAFFLE TYPE	15°	18°	24°	27°	35°	38°	55°
	DSF	1500	2500	4000	4000	2500	4000	4000
	DMF	1500	2500	4000	4000	2500	4000	4000

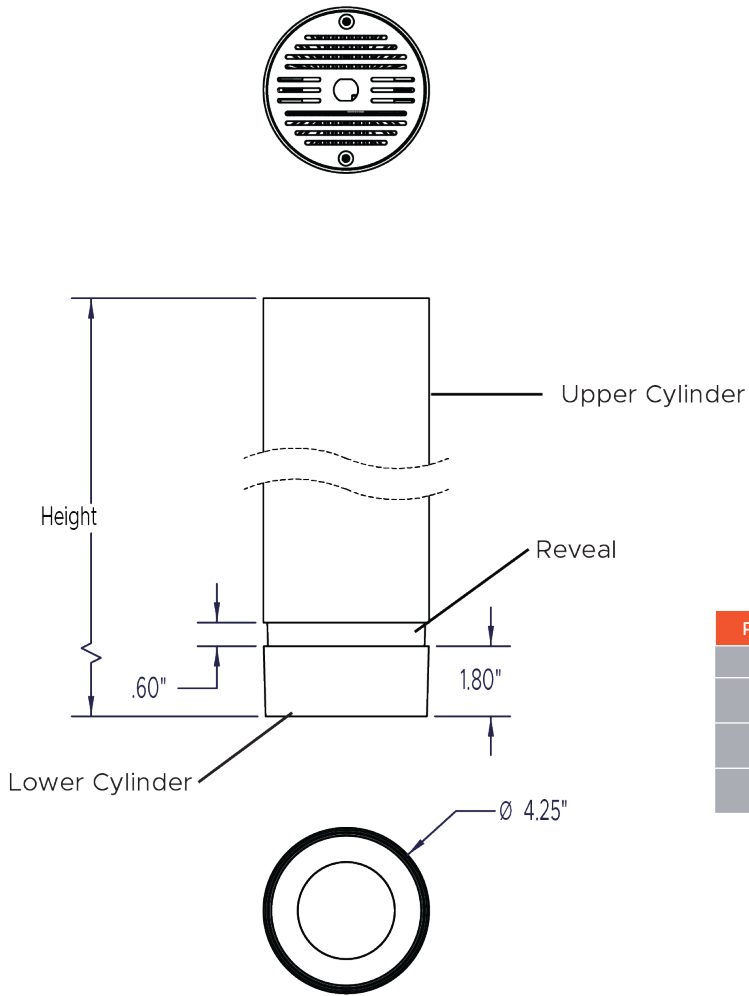
#### SPECIAL FINISH COLORS

Longer Lead Time Required



SPECIAL FINISH COLORS		
Special (Longer Lead Time)		
LC LUX Orange	MG Moss Green	
BZ Bronze	BL Blue	
SG Slate Gray	RD Red	
YW Yellow	CC Custom Color	
FG Forest Green		

LUMINAIRE HEIGHT DIAGRAMS

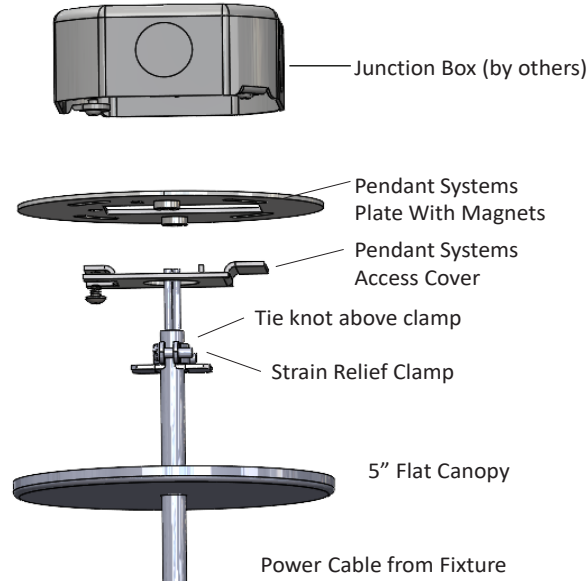


Pendant Height	Ordering Code	Driver Mounting
5.5"	6	Remote or Power Canopy
10.5"	11	Integral, Power Canopy, or Remote
13.5"	14	Integral, Power Canopy, or Remote
19.5"	20	Integral, Power Canopy, or Remote

## MOUNTING DIAGRAM DETAILS

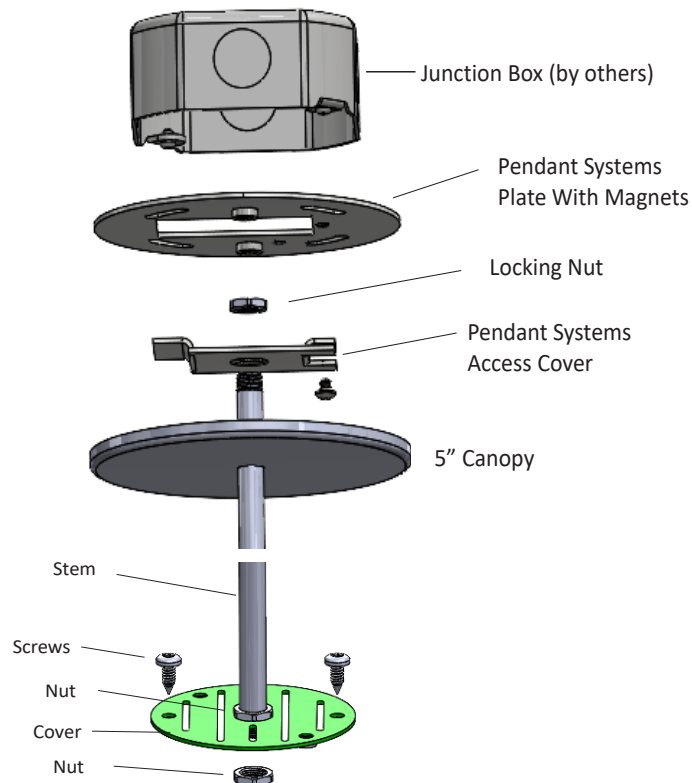
### Corded Power Drop Mount Detail

Ordering Code: FRC - Flat Round Canopy



### Stem Mount Detail

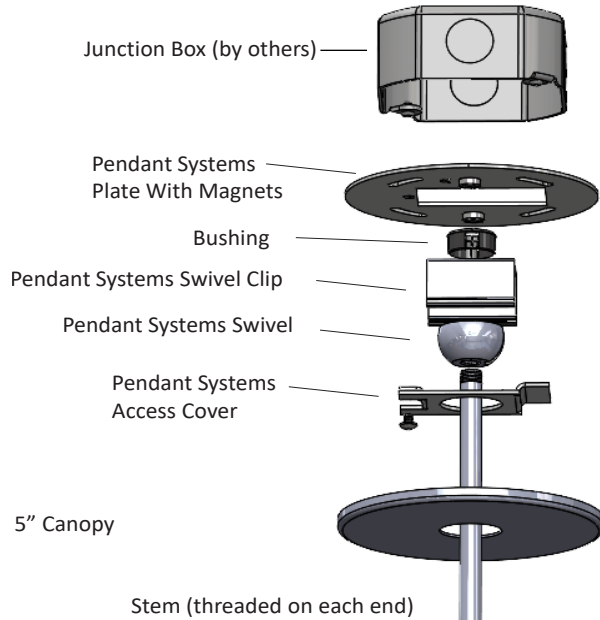
Ordering Code: FRC - Flat Round Canopy



## MOUNTING DIAGRAM DETAILS

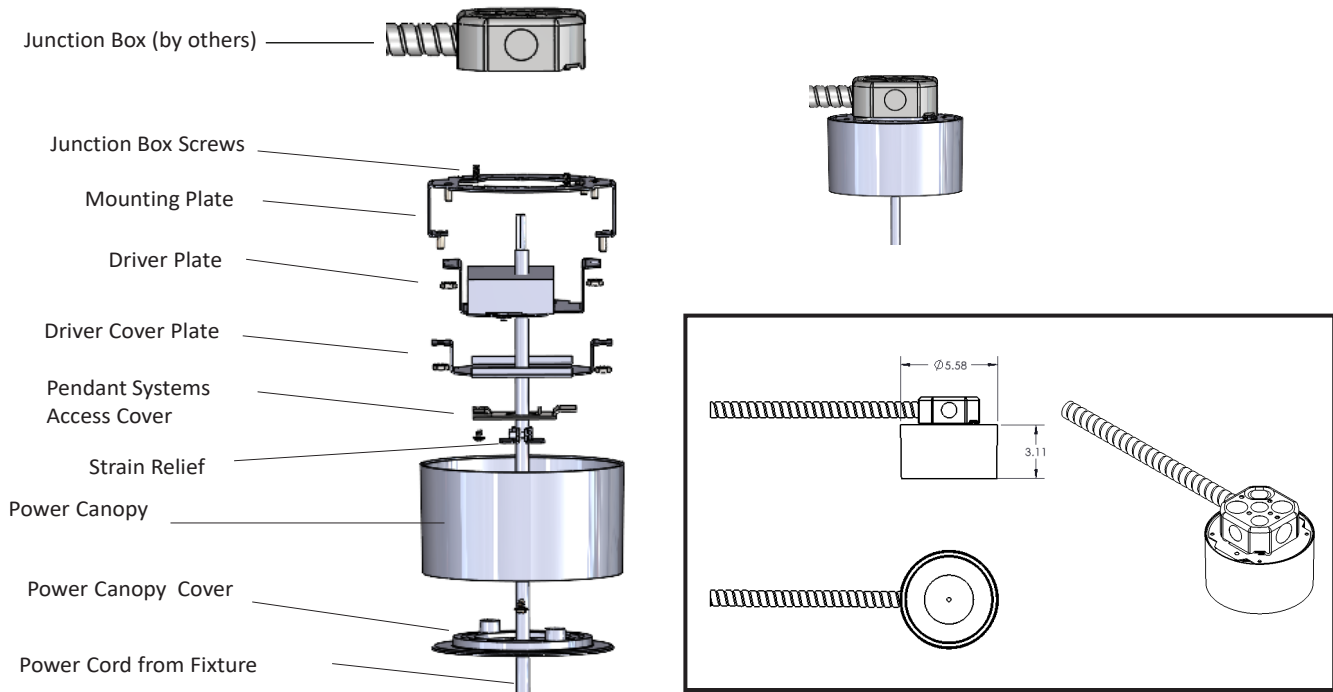
### Slope Ceiling Stem Mount Detail

Ordering Code: FRC - Flat Round Canopy



### Powered Canopy Detail with Power Cord Mount

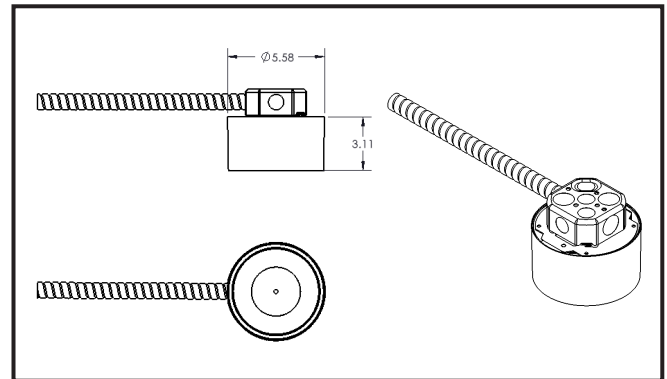
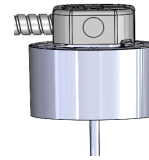
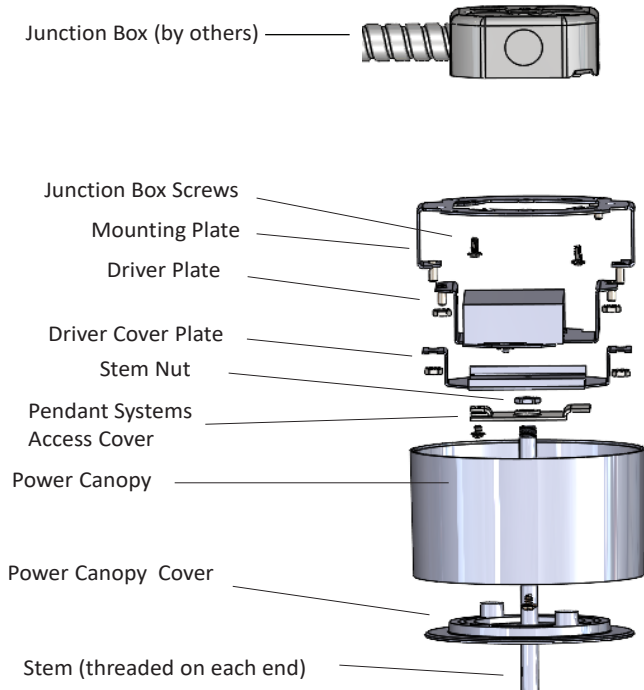
Ordering Code: PRC - Powered Round Canopy



## MOUNTING DIAGRAM DETAILS

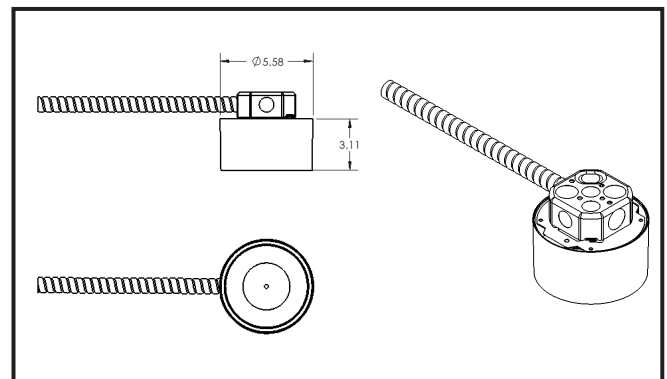
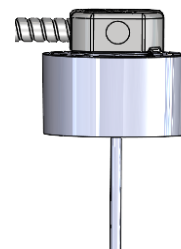
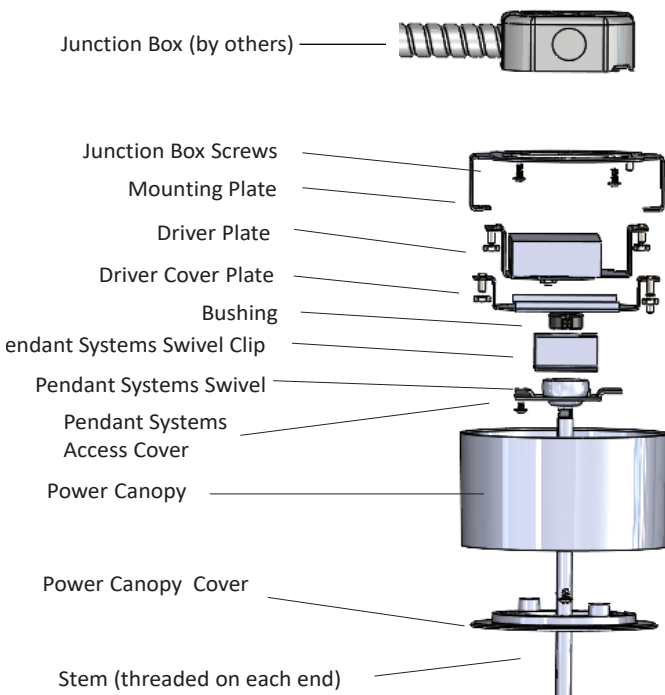
### Powered Canopy Detail with Stem Mount

Ordering Code: PRC - Powered Round Canopy



### Powered Canopy Detail with Slope Ceiling Stem Mount

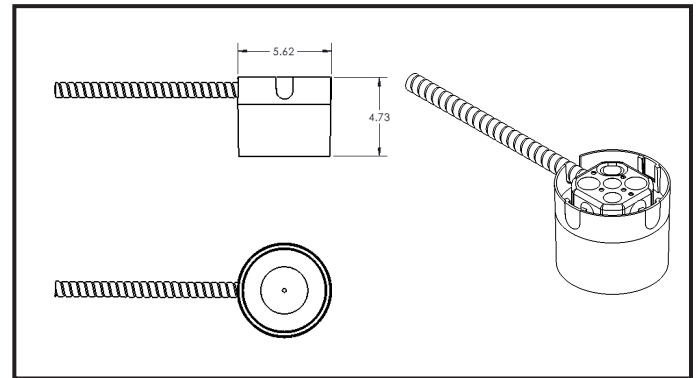
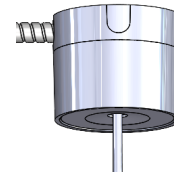
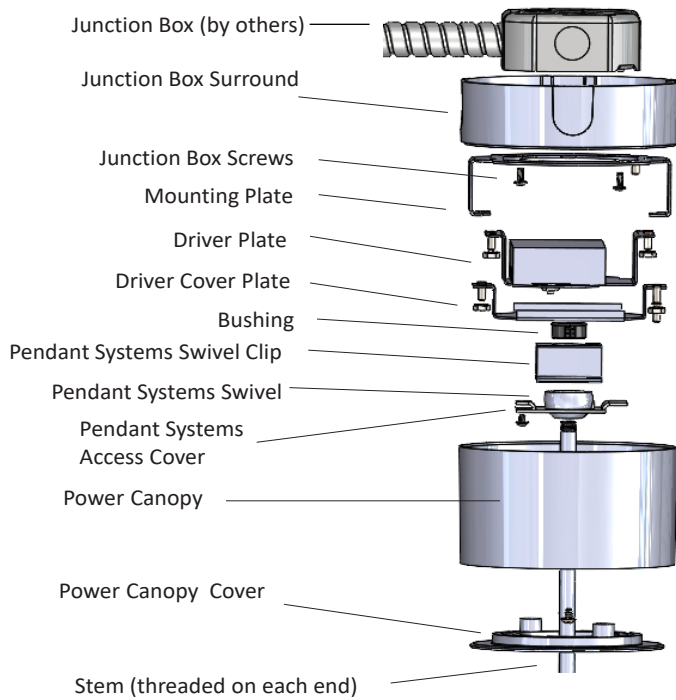
Ordering Code: PRC-SLP - Powered Round Surface J-Box Canopy, Slope Ceiling



## MOUNTING DIAGRAM DETAILS

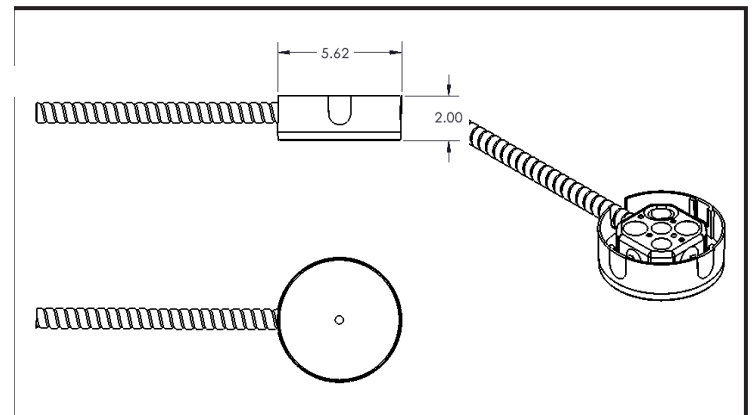
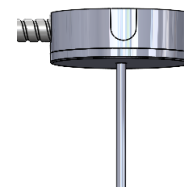
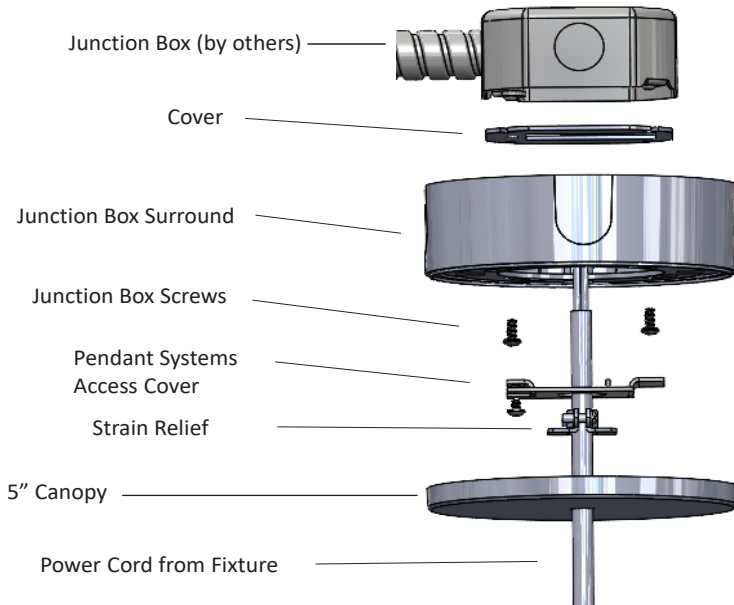
### Powered Canopy Detail with Surface Mount Slope Ceiling

Ordering Code: PRS-SLP - Powered Round Surface J-Box Canopy, Slope Ceiling



### Surface Mounting Detail with Cord Mount

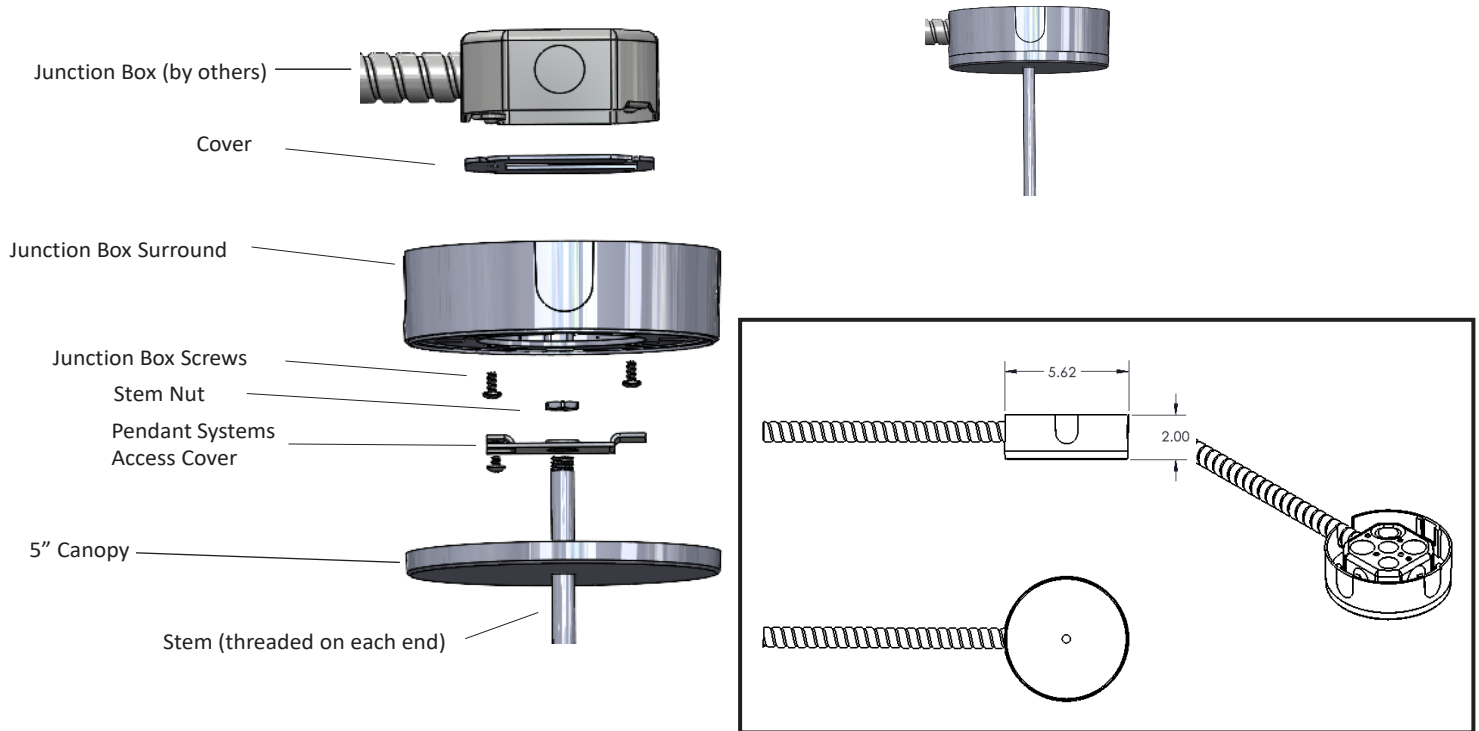
Ordering Code: SRJ - Surface Round J-Box Canopy



## MOUNTING DIAGRAM DETAILS

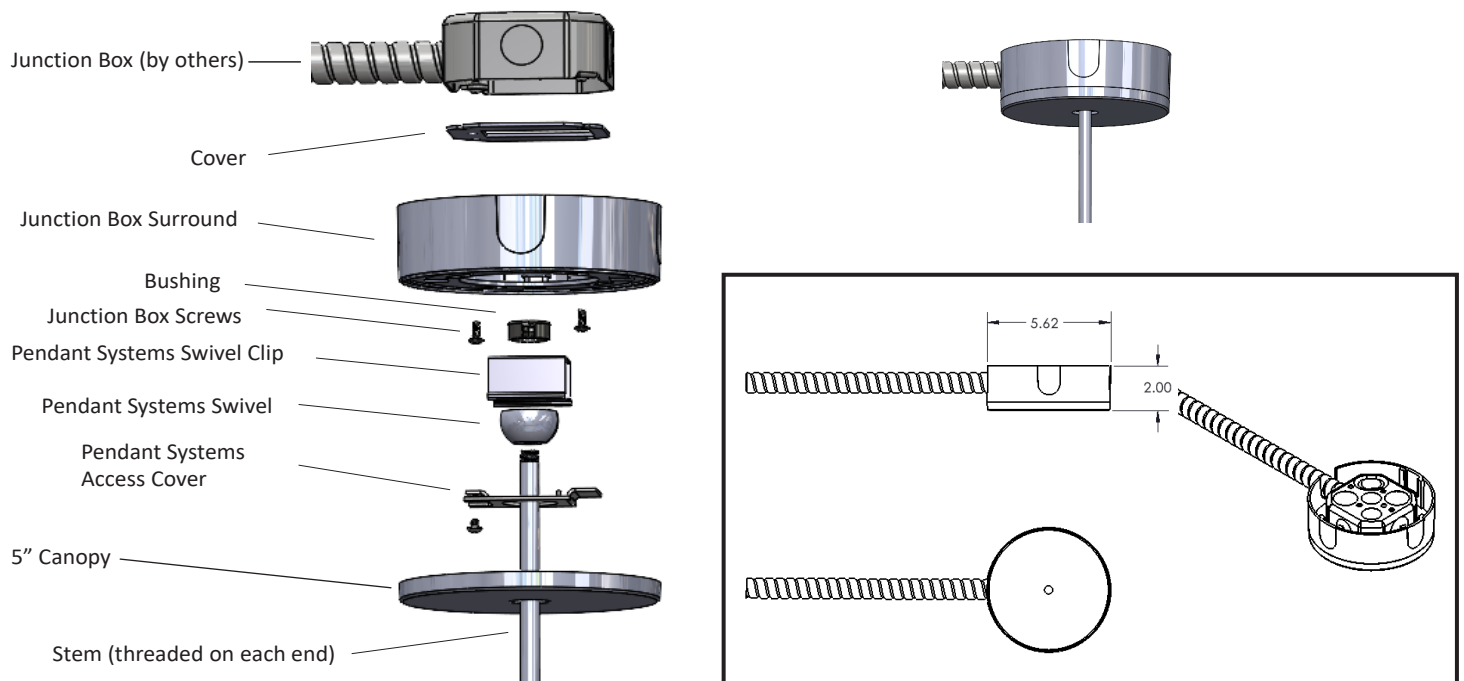
### Surface Mounting Detail with Stem Mount

Ordering Code: SRJ - Surface Round J-Box Canopy



### Surface Mounting Detail with Slope Stem Mount

Ordering Code: SRJ-SLP Surface Round J-Box, Slope Ceiling

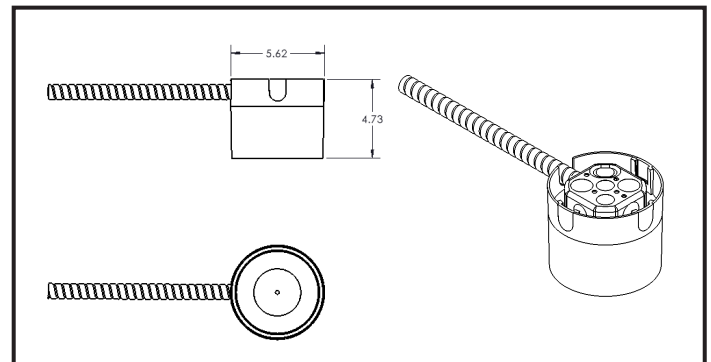
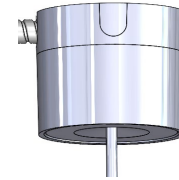
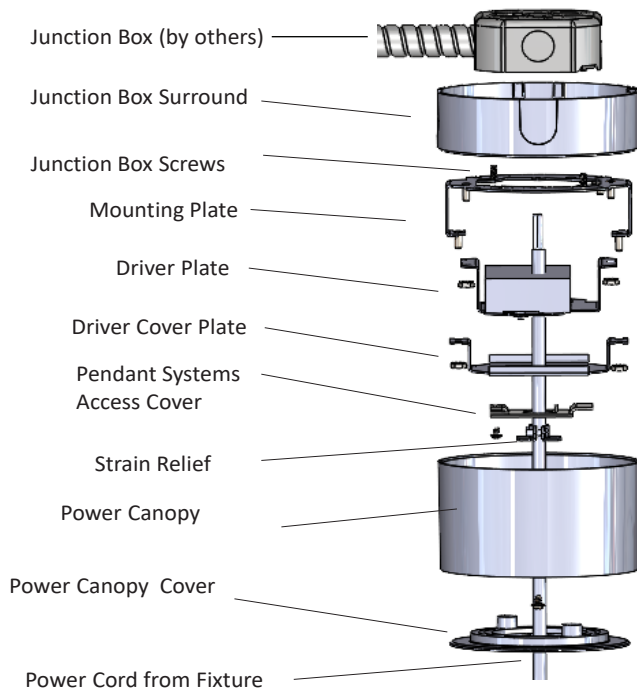




## MOUNTING DIAGRAM DETAILS

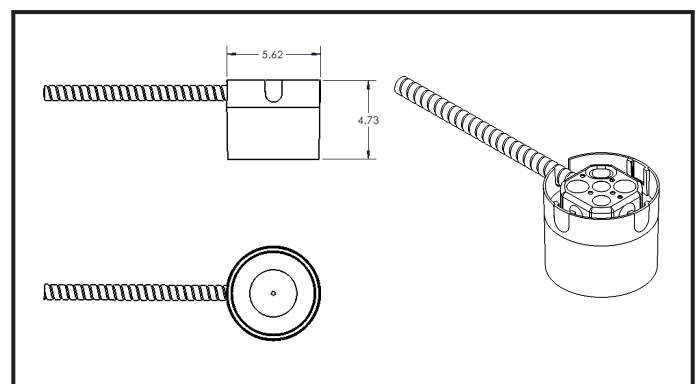
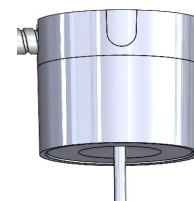
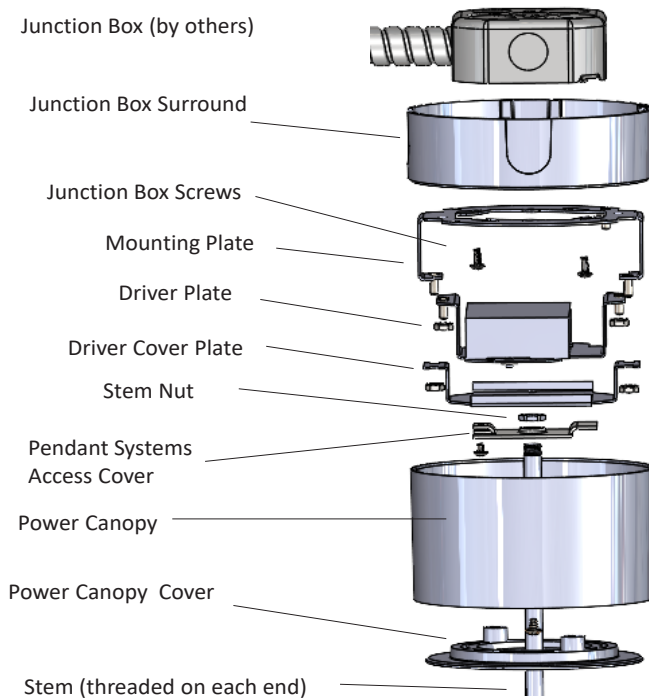
### Surface Mount Ceiling Detail with Power Canopy and Power Cord

Ordering Code: PRS - Power Round Surface



### Surface Mount Ceiling Detail with Power Canopy and Stem

Ordering Code: PRS - Power Round Canopy



DRIVER HOUSING MOUNTING OPTIONS

REMOTE HOUSING

